

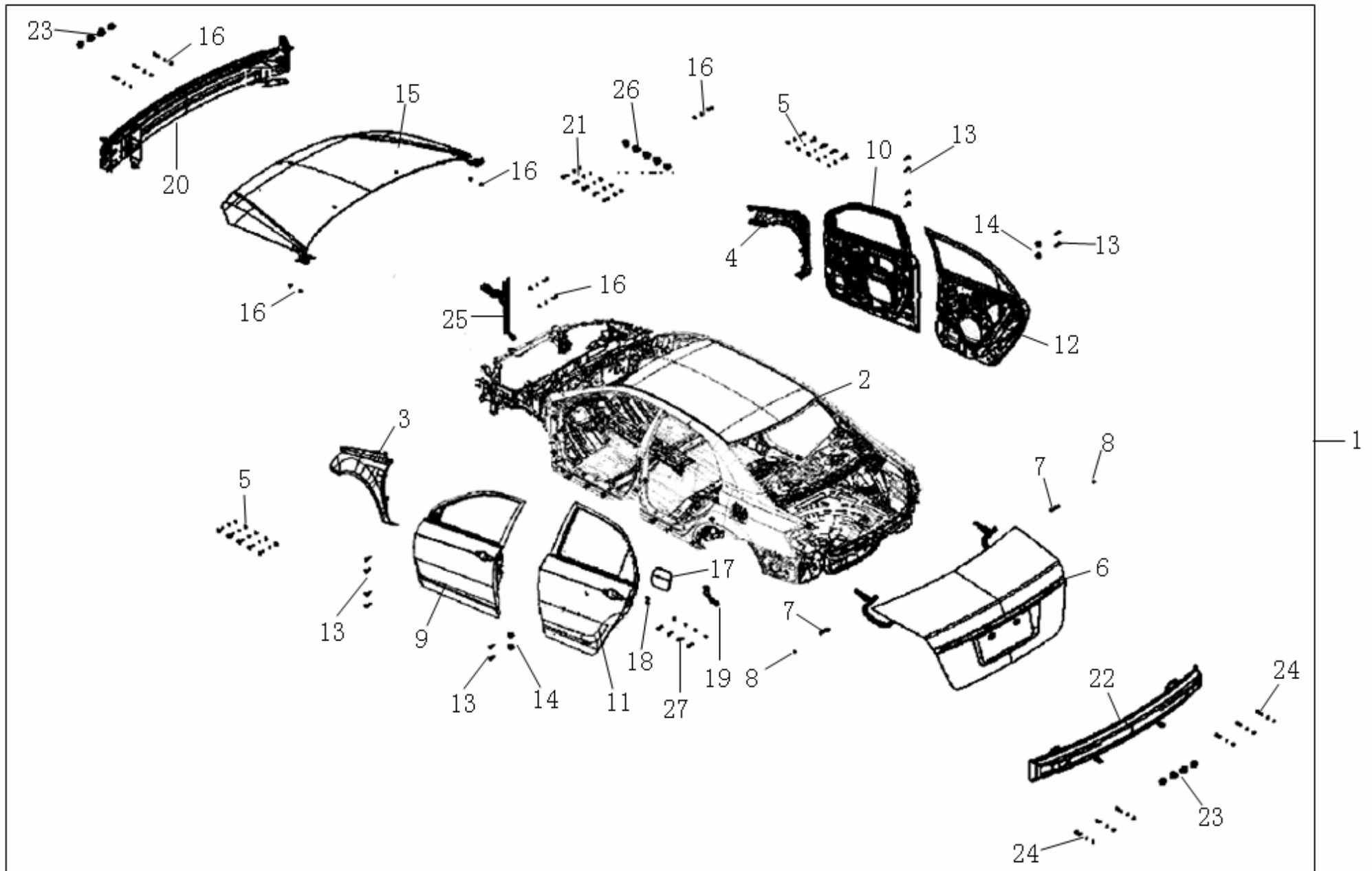
**GEELY**

# **PARTS CATALOG**



**JUNE 2009**

# 2010 BODY ASSY.



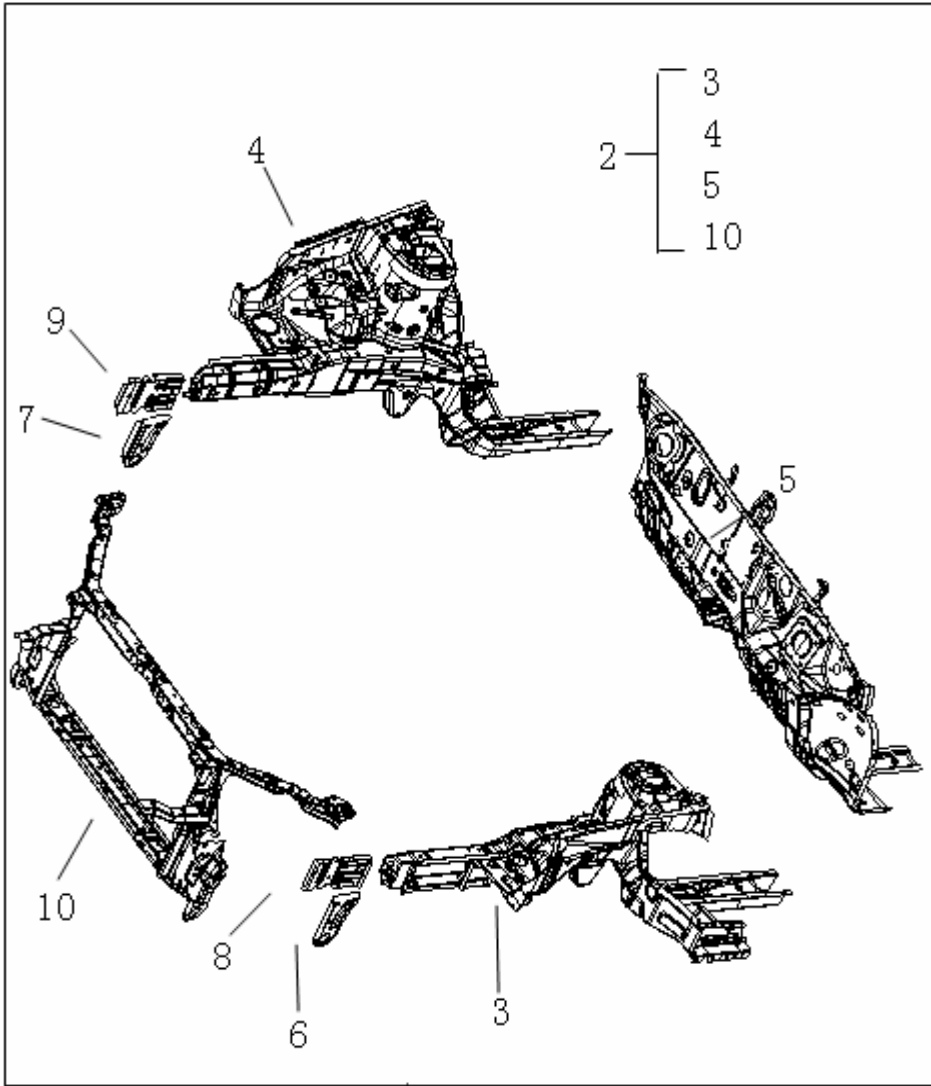
## 2010 BODY ASSY.

NO.	PART NO.	DES.	QTY	REMARK	NO.	PART NO.	DES.	QTY	REMARK
1	106210000102	BODY ASSY.	1		26		HEXAGON HEAD BOLT & PLAIN WASHER ASSY.	5	
	10621000202	BODY ASSY.(SUNROOF)	1		27		HEXAGON HEAD BOLT & PLAIN WASHER ASSY.	4	M8x22
2		BODY FRAME ASSY.	1						
3	106200045801	WING ASSY,LH	1						
4	106200045901	WING ASSY,RH	1						
5		HEXAGON HEAD BOLT & PLAIN WASHER ASSY.	10	M6 x 20					
6	106200048201	TRUNK LID ASSY	1						
7	1062000017	TRUNK LID HINGE ASSY.	2						
8		CIRCLIP	2						
9	106200047501	FRONT DOOR ASSY,LH	1						
10	106200047901	FRONT DOOR ASSY,RH	1						
11	106200047601	REAR DOOR ASSY,LH	1						
12	106200048001	REAR DOOR ASSY,RH	1						
13		HEXAGON FLANGE NUT M8x20	12						
14		HEXAGON FLANGE NUT	4						
15	106200047801	ENGINE HOOD MOUNTING ASSY.	1						
16		HEXAGON HEAD BOLT & PLAIN WASHER ASSY.	10	M6 x 20					
17	106200001501	OIL FILLER CAP ASSY	1						
18		HEXAGON FLANGE NUT M6x15	2						
19	1061000021	FIRE EXTINGUISHER MOUNTING BRACKET ASSY.	1						
20	106200046301	FRONT BUMPER FRAME ASSY.	1						
21		HEXAGON HEAD BOLT & PLAIN WASHER ASSY.	5	M8x22					
22	106200046401	REAR BUMPER FRAME MOUNTING ASSY.	1						
23		HEXAGON FLANGE NUT M10x1.25	8						
24		HEXAGON HEAD BOLT & PLAIN WASHER ASSY.	6	M10 x 1.25 x 25					
25	1062000448	RADIATOR CENTER BRACKET ASSY.	1						

## 2020 BODY FRAME ASSY.

	NO.	PART NO.	DES.	QTY	REMARK
	1	106400141901	BODY FRAME ASSY.	1	
	2		LOWER BODY ASSY.	1	
	3		ENGINE COMPARTMENT ASSY.	1	
	4		FRONT FLOOR ASSY.	1	
	5	106200046701	REAR FLOOR ASSY.	1	
	6	106200021201	LEFT SIDE WALL OUTER PANEL	1	
	7	106200021801	RIGHT SIDE WALL OUTER PANEL	1	
	8		COWL PANEL ASSY.	1	
	9	106200047101	REAR END PANEL ASSY.	1	
	10		LUGGAGE COVER ASSEMBLY	1	
	11	106200037001	LF BAFFLE PLATE COVER	1	
	12	106200037101	RF BAFFLE PLATE COVER	1	
	13	106200047401	ROOF ASSY.(W/O SUNROOF)	1	
		106200047301	ROOF ASSY.(SUNROOF)		

## 2030 ENGINE COMPARTMENT ASSY.

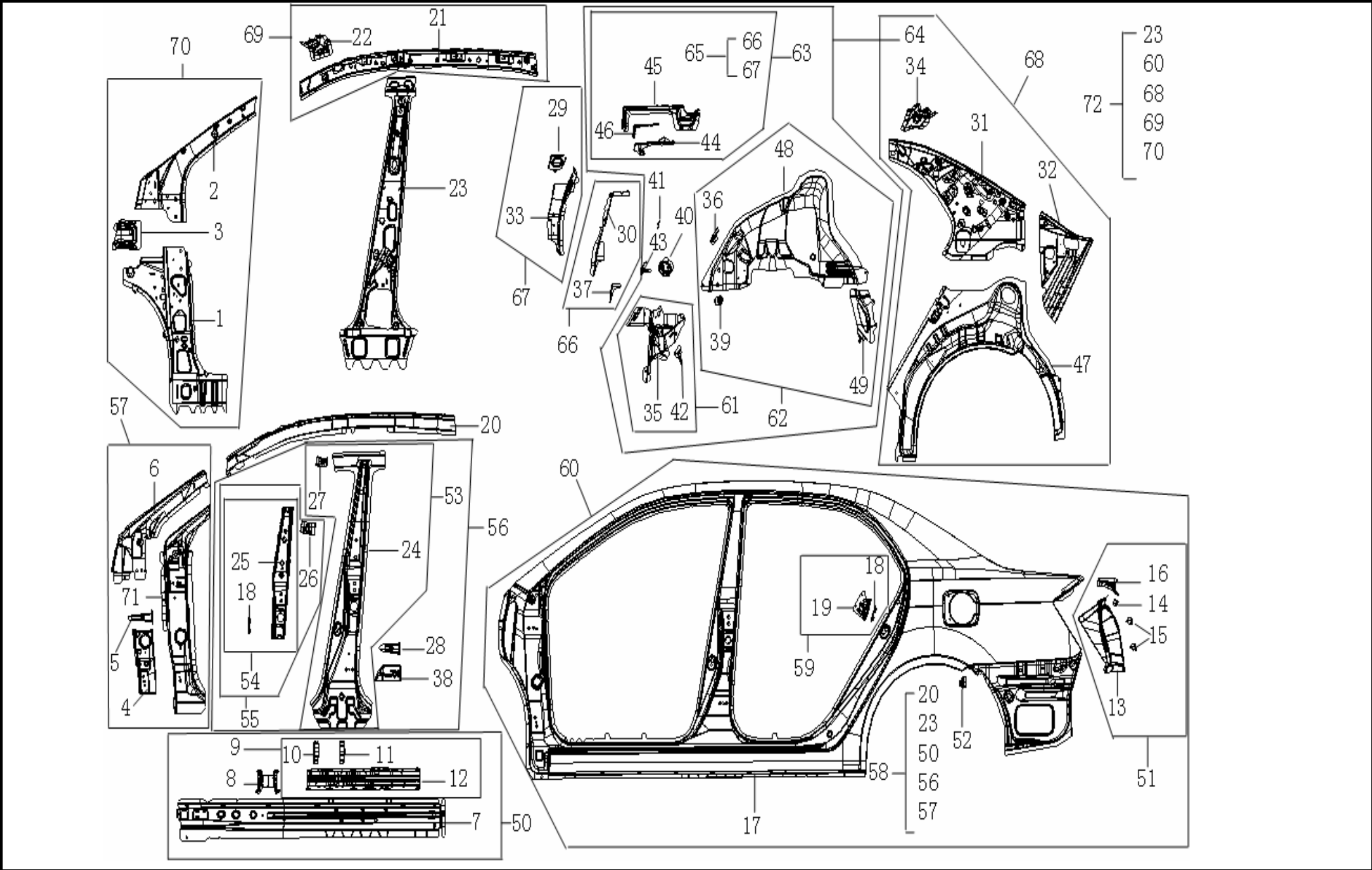


NO.	PART NO.	DES.	QTY	REMARK
1		ENGINE COMPARTMENT ASSY.	1	
2		ENGINE COMPARTMENT SUB-ASSY.	1	
3	106200048601	LF SPLASH GUARD & SIDE RAIL ASSY.	1	
4	106200051201	RF SPLASH GUARD & SIDE RAIL ASSY.	1	
5		COWL PANEL LOWER PLATE ASSY.	1	
6	1062000366	FL TOW HOOK PLATE	1	
7	1062000367	FR TOW HOOK PLATE	1	
8	1062000369	FL SIDE RAIL FRONT PLATE ASSY.	1	
9	1062000368	FR SIDE RAIL FRONT PLATE ASSY.	1	
10	106200053901	RADIATOR MOUNTING BRACKET ASSY.	1	

## 2040 RADIATOR MOUNTING FRAME ASSY.

	NO.	PART NO.	DES.	QTY	REMARK
	1	106200053901	RADIATOR MOUNTING FRAME ASSY.	1	
	2		RADIATOR UPPER CROSS MEMBER ASSY.	1	
	3		FL HEADLIGHT BRACKET ASSY.	1	
	4		FR HEADLIGHT BRACKET ASSY.	1	
	5		CROSS MEMBER LEFT UPPER PILLAR	1	
	6		CROSS MEMBER RIGHT UPPER PILLAR	1	
	7		UPPER CROSS MEMBER	1	
	8	1064000058	UPPER CROSS MEMBER LEFT BRACKET ASSY.	1	
	9	1064000058	UPPER CROSS MEMBER RIGHT BRACKET ASSY.	1	
	10		LOWER CROSS MEMBER ASSY.	1	
	11		LOWER CROSS MEMBER UPPER REINFORCEMENT ASSY.	1	
	12		LOWER CROSS MEMBER UPPER REINFORCEMENT	1	
	13		LOWER CROSS MEMBER LEFT PILLAR	1	
	14		LOWER CROSS MEMBER RIGHT PILLAR	1	
	15		LOWER CROSS MEMBER	1	
		1064000061	RADIATOR LOWER MOUNTING RUBBER CUSHION	2	

2050 LEFT SIDE WALL ASSY.



## 2050 LEFT SIDE WALL ASSY.

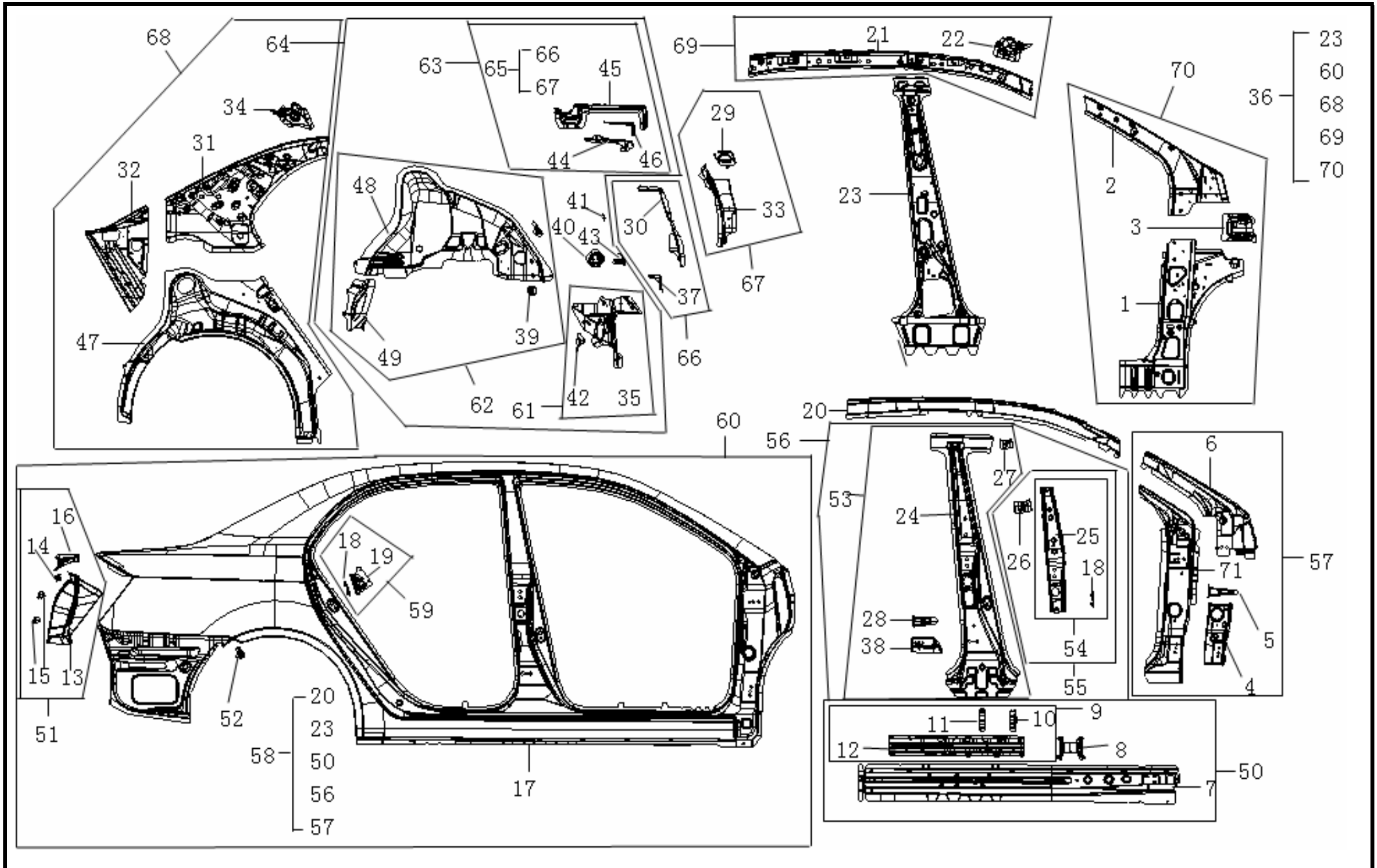
NO.	PART NO.	DES.	QTY	REMARK	NO.	PART NO.	DES.	QTY	REMARK
	1062000469	LEFT SIDE WALL ASSY.	1		26		LF SAFETY BELT LOWER ADJUSTABLE PLATE	1	
1		LEFT A-PILLAR INNER PLATE LOWER PART ASSY.	1		27		LF SAFETY BELT LOWER FIXING PLATE ASSY.	1	
2		LEFT A-PILLAR INNER PLATE UPPER PART ASSY.	1		28		LR DOOR CHECK ROD FRAME ASSY.	1	
3		LEFT A-PILLAR INNER PLATE CONNECTING PLATE	1		29		LEFT TRUNK BOARD SIDE PLATE	1	
4		LEFT A-PILLAR LOWER GEMEL FIXING PLATE ASSY.	1		30		LEFT TRUNK BOARD UPPER PLATE SUB-ASSY.	1	
5		FL CHECK ROD FRAME ASSY.	1		31		LR PILLAR INNER PLATE ASSY.	1	
6		LEFT A-PILLAR UPPER REINFORCEMENT ASSY.	1		32		LR PILLAR QUARTER	1	
7		LEFT SIDE WALL LOWER REINFORCEMENT	1		33		LEFT TRUNK BOARD	1	
8		LEFT SIDE WALL LOWER FRAME CHECK BRACKET	1		34		LR CROSS MEMBER 3-WAYS CONNECTING PLATE	1	
9		LEFT SIDE WALL LOWER FRAME INNER LINER ASSY.	1		35		LR WHEEL INNER FRONT CONNECTING PLATE SUB-ASSY.	1	
10		LEFT SIDE WALL LOWER FRAME INNER LINER FRONT BRACKET	1		36		FUEL FILLER PIPE FIXING PLATE ASSY.	1	
11		LEFT SIDE WALL LOWER FRAME INNER REAR BRACKET	1		37		LEFT TRUNK BOARD CONNECTING PLATE	1	
12		LEFT SIDE WALL LOWER FRAME INNER LINER	1		38		LEFT CENTER PILLAR LOWER HINGE SEAT ASSY.	1	
13	1062000213	LEFT TAILLIGHT FIXING PLATE	1		39		REAR SEAT SAFETY BELT FIXING PLATE ASSY.	1	
14		TAILLIGHT UPPER PLATE BRACKET	1		40		LR SEAT FIXING BRACKET ASSY.	1	
15		TAILLIGHT SMALL BRACKET	2		41		REAR SEAT SIDE SUPPORT BOARD	1	
16		LEFT TAILLIGHT UPPER PLATE	1		42		LR WHEEL BRAKE PIPE BRACKET	1	
17	106200021201	LEFT SIDE WALL OUTER PANEL	1		43		LR SEAT SIDE SUPPORT BOARD ASSY.	1	
18		DOOR LOCK HOOK FIXING PLATE ASSY.	2		44		HINGE SEAT REINFORCEMENT	1	
19		LR DOOR LOCK HOOK REINFORCEMENT	1		45		LEFT HINGE SEAT FIXING BOARD	1	
20		LEFT SIDE WALL UPPER FRAME REINFORCEMENT	1		46		LEFT HINGE SEAT FIXING BOARD REINFORCEMENT ASSY.	1	
21		LEFT SIDE WALL UPPER SIDE PLATE SUB-ASSY.	1		47		LR WHEEL OUTER COVER SUB-ASSY.	1	
22		LEFT 1# CROSS MEMBER CONNECTING PLATE	1		48		LR WHEEL INNER COVER	1	
23		LEFT CENTER PILLAR INNER PLATE ASSY.	1		49		LR WHEEL INNER QUARTER CONNECTING PLATE	1	
24		LEFT CENTER PILLAR OUTER PLATE REINFORCEMENT SUB-ASSY.	1		50		LEFT SIDE WALL LOWER FRAME REINFORCEMENT ASSY.	1	
25		LEFT CENTER PILLAR INNER PLATE REINFORCEMENT	1		51	1062000213	LEFT TAILLIGHT FIXING PLATE ASSY.	1	



## 2050 LEFT WALL ASSY.

NO.	PART NO.	DES.	QTY	REMARK	NO.	PART NO.	DES.	QTY	REMARK
52		GASOLINE TANK CAP CONTROL CABLE SEAT	1						
53		LEFT CENTER PILLAR OUTER REINFORCEMENT ASSY.	1						
54		LEFT CENTER PILLAR INNER REINFORCEMENT 1# SUB-ASSY.	1						
55		LEFT CENTER PILLAR INNER REINFORCEMENT 2# SUB-ASSY.	1						
56		LEFT CENTER PILLAR INNER REINFORCEMENT ASSY.	1						
57		LEFT A-PILLAR INNER REINFORCEMENT PANEL ASSY.	1						
58		LEFT SIDE WALL INNER REINFORCEMENT ASSY.	1						
59		LR DOOR LOCK HOOK FIXING PLATE ASSY.	1						
60		LEFT SIDE WALL OUTER PANEL ASSY.	1						
61		LR WHEEL INNER FRONT CONNECTING PLATE	1						
62		LR WHEEL INNER COVER ASSY.	1						
63		LEFT TRUNK BOARD ASSY.	1						
64		LR WHEEL HOUSING ASSY.	1						
65		LEFT TRUNK BOARD SUB-ASSY. (2)	1						
66		LEFT TRUNK MAINBOARD UPPER PANEL ASSY.	1						
67		LEFT TRUNK BOARD SUB-ASSY. (1)	1						
68		LR WHEEL COVER ASSY.	1						
69		LEFT SIDE WALL UPPER SIDE PLATE ASSY.	1						
70		LEFT A-PILLAR INNER PLATE ASSY.	1						
71		LEFT A-PILLAR INNER PLATE REINFORCEMENT ASSY.	1						
72	1062000469	LEFT SIDE WALL ASSY.	1						

# 2060 RIGHT SIDE WALL ASSY.



## 2060 RIGHT SIDE WALL ASSY.

NO.	PART NO.	DES.	QTY	REMARK	NO.	PART NO.	DES.	QTY	REMARK
	1062000470	RIGHT SIDE WALL ASSY.	1		26		RF SAFETY BELT LOWER ADJUSTABLE PLATE	1	
1	1062000225	RIGHT A-PILLAR INNER PLATE LOWER PART ASSY.	1		27		RF SAFETY BELT LOWER FIXING PLATE ASSY.	1	
2	1062000224	RIGHT A-PILLAR INNER PLATE UPPER PART ASSY.	1		28		RR DOOR CHECK ROD FRAME ASSY.	1	
3		RIGHT A-PILLAR INNER PLATE CONNECTING PLATE	1		29		RIGHT TRUNK BOARD SIDE PLATE	1	
4		LOWER GEMEL FIXING PLATE ASSY.	1		30		RIGHT TRUNK BOARD UPPER PLATE SUB-ASSY.	1	
5		FR CHECK FRAME ASSY.	1		31		RR PILLAR INNER PLATE ASSY.	1	
6	1062000250	RIGHT A-PILLAR UPPER REINFORCEMENT ASSY.	1		32		RR PILLAR QUARTER	1	
7		RIGHT SIDE WALL LOWER FRAME REINFORCEMENT ASSY.	1		33		RIGHT TRUNK BOARD	1	
8		RIGHT SIDE WALL LOWER FRAME CHECK BRACKET	1		34		RR CROSS MEMBER 3-WAYS CONNECTING PLATE	1	
9		RIGHT SIDE WALL LOWER FRAME INNER LINER ASSY.	1		35		RR WHEEL INNER FRONT CONNECTING PLATE SUB-ASSY.	1	
10		RIGHT SIDE WALL LOWER FRAME INNER LINER FRONT BRACKET	1		36		FUEL FILLER PIPE FIXING PLATE ASSY.	1	
11		RIGHT SIDE WALL LOWER FRAME INNER LINER REAR BRACKET	1		37		RIGHT TRUNK BOARD CONNECTING PLATE	1	
12		RIGHT SIDE WALL LOWER FRAME INNER LINER	1		38		RIGHT CENTER PILLAR LOWER HINGE SEAT ASSY.	1	
13	1062000219	RIGHT TAILLIGHT FIXING PLATE	1		39		REAR SEAT SAFETY BELT FIXING PLATE ASSY.	1	
14		TAILLIGHT UPPER PLATE BRACKET	1		40		RR SEAT FIXING BRACKET ASSY.	1	
15		TAILLIGHT SMALL BRACKET	2		41		REAR SEAT SIDE SUPPORT BOARD	1	
16		RIGHT TAILLIGHT UPPER QUARTER	1		42		RR WHEEL BRAKE PIPE BRACKET	1	
17	1062000218	RIGHT SIDE WALL OUTER PANEL	1		43		RR SEAT SIDE SUPPORT BOARD ASSY.	1	
18		DOOR RIGHT HOOK FIXING PLATE ASSY.	2		44		HINGE SEAT REINFORCEMENT	1	
19		RR DOOR LOCK HOOK REINFORCEMENT	1		45		RIGHT HINGE SEAT FIXING BOARD	1	
20		RIGHT SIDE WALL UPPER FRAME REINFORCEMENT	1		46		RIGHT HINGE SEAT FIXING BOARD REINFORCEMENT ASSY.	1	
21		RIGHT SIDE WALL UPPER SIDE PLATE SUB-ASSY.	1		47		RR WHEEL OUTER COVER SUB-ASSY.	1	
22		1# CROSS MEMBER CONNECTING PLATE	1		48		RR WHEEL INNER COVER	1	
23		RIGHT CENTER PILLAR INNER PLATE ASSY.	1		49		RR WHEEL INNER QUARTER CONNECTING PLATE	1	
24		RIGHT CENTER PILLAR OUTER REINFORCEMENT SUB-ASSY	1		50		RIGHT SIDE WALL LOWER FRAME REINFORCEMENT ASSY.	1	
25		RIGHT CENTER PILLAR INNER REINFORCEMENT	1		51	1062000219	RIGHT TAILLIGHT FIXING PLATE ASSY.	1	

## 2060 RIGHT SIDE WALL ASSY.

NO.	PART NO.	DES.	QTY	REMARK	NO.	PART NO.	DES.	QTY	REMARK
52		GASOLINE TANK CAP CONTROL CABLE SEAT	1						
53		RIGHT CENTER PILLAR OUTER REINFORCEMENT ASSY.	1						
54		RIGHT CENTER PILLAR INNER REINFORCEMENT 1# SUB-ASSY.	1						
55		RIGHT CENTER PILLAR INNER REINFORCEMENT 2# SUB-ASSY.	1						
56		RIGHT CENTER PILLAR INNER REINFORCEMENT ASSY.	1						
57	1062000247	RIGHT A-PILLAR INNER REINFORCEMENT PANEL ASSY.	1						
58		RIGHT SIDE WALL INNER REINFORCEMENT ASSY.	1						
59		RR DOOR LOCK HOOK FIXING PLATE ASSY.	1						
60		RIGHT SIDE WALL OUTER PANEL ASSY.	1						
61		RR WHEEL INNER FRONT CONNECTING PLATE	1						
62		RR WHEEL INNER COVER ASSY.	1						
63		RIGHT TRUNK BOARD ASSY.	1						
64		RR WHEEL HOUSING ASSY.	1						
65		RIGHT TRUNK BOARD SUB-ASSY. (2)	1						
66		RIGHT TRUNK MAINBOARD UPPER PANEL ASSY.	1						
67		RIGHT TRUNK BOARD SUB-ASSY. (1)	1						
68		RR WHEEL COVER ASSY.	1						
69		RIGHT SIDE WALL UPPER SIDE PLATE ASSY.	1						
70		RIGHT A-PILLAR INNER PLATE ASSY.	1						
71		RIGHT A-PILLAR INNER PLATE REINFORCEMENT ASSY.	1						

## 2070 ROOF SKIN ASSY.

	NO.	PART NO.	DES	QTY	REMARK
		106200047401	ROOF SKIN ASSY.	1	
	1		FRONT CROSS MEMBER ASSY.	1	
	2		FRONT CROSS MEMBER SUB-ASSY.	1	
	3		1# & 2# CROSS MEMBER	2	
	4		ROOF SKIN (W/O SUNROOF)	1	
	5		REAR CROSS MEMBER	1	
	6		MIDDLE CROSS MEMBER	1	
	7		FRONT TOP LIGHT MOUNTING BRACKET	1	
8		4# CROSS MEMBER	1		

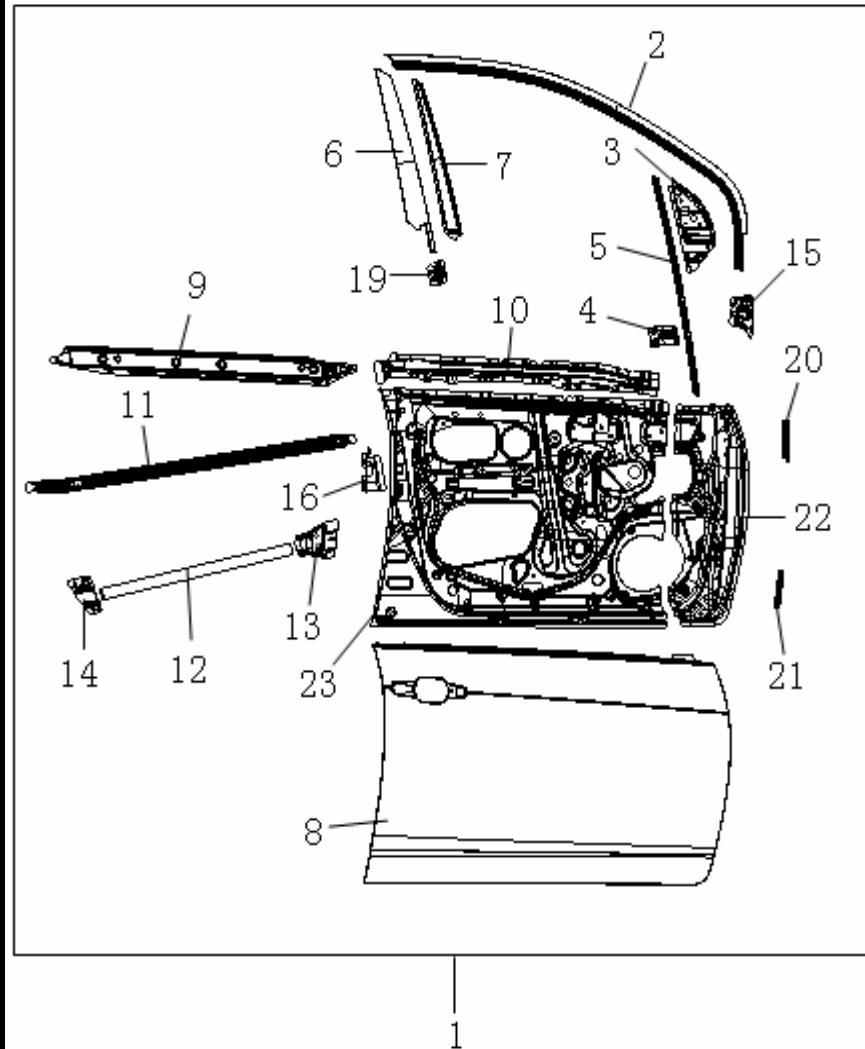
## 2080 ROOF SKIN ASSY. (SUNROOF)

	NO.	PART NO.	DES.	QTY	REMARK
		106200047301	ROOF SKIN ASSY. (SUNROOF)	1	
	1		FRONT CROSS MEMBER ASSY.	1	
	2		SUNROOF REINFORCEMENT	1	
	3		ROOF SKIN (SUNROOF)	1	
	4		4# CROSS MEMBER	1	
5		REAR CROSS MEMBER	1		

# 2090 LF DOOR ASSY.

	NO.	PART NO.	DES.	QTY	REMARK
	1	106200047501	LF DOOR MOUNTING ASSY.	1	
	2		LF DOOR WINDOW FRONT FRAME	1	
	3		LF DOOR REARVIEW MIRROR FIXING PLATE	1	
	4		LF DOOR WINDOW CHANNEL LOWER BRACKET	1	
	5		LF DOOR WINDOW FRONT CHANNEL	1	
	6		LF DOOR WINDOW REAR FRAME	1	
	7		LF DOOR WEATHERSTRIP CHANNEL	1	
	8		LF DOOR OUTER PANEL	1	
	9		LF DOOR INNER PANEL REINFORCEMENT	1	
	10		LF DOOR INTER PANEL UPPER REINFORCEMENT	1	
	11		LF DOOR INTER PANEL MIDDLE REINFORCEMENT	1	
	12		FRONT DOOR REINFORCEMENT POLE	1	
	13		LF DOOR REINFORCEMENT POLE FRONT BRACKET	1	
	14		LF DOOR REINFORCEMENT POLE REAR BRACKET	1	
	15		LF DOOR-WINDOW FRAME FRONT BRACKET	1	
	16		LF DOOR LOCK BUCKLE FIXING PLATE	1	
	17	1062000023	FL DOOR UPPER HINGE ASSY.	1	
	18	1062000026	FL DOOR LOWER HINGE ASSY.	1	
	19		LF DOOR WINDOW FRAME REAR BRACKET	1	
	20		FRONT DOOR UPPER HINGE REINFORCEMENT	1	
	21		FRONT DOOR LOWER HINGE REINFORCEMENT	1	
	22		LF DOOR INNER PLATE FRONT REINFORCEMENT	1	
	23		LF DOOR INNER PANEL	1	

## 2100 RF DOOR ASSY.



NO.	PART NO.	DES.	QTY	REMARK
1	106200047901	RF DOOR MOUNTING ASSY.	1	
2		RF DOOR WINDOW FRONT FRAME	1	
3		RF DOOR REARVIEW MIRROR FIXING PLATE	1	
4		RF DOOR WINDOW CHANNEL LOWER BRACKET	1	
5		RF DOOR WINDOW FRONT CHANNEL	1	
6		RF DOOR WINDOW REAR FRAME	1	
7		RF DOOR WEATHERSTRIP CHANNEL	1	
8		RF DOOR OUTER PANEL	1	
9		RF DOOR INNER PANEL REINFORCEMENT	1	
10		RF DOOR INTER PANEL UPPER REINFORCEMENT	1	
11		RF DOOR INTER PANEL MIDDLE REINFORCEMENT	1	
12		FRONT DOOR REINFORCEMENT POLE	1	
13		RF DOOR REINFORCEMENT POLE FRONT BRACKET	1	
14		RF DOOR REINFORCEMENT POLE REAR BRACKET	1	
15		RF DOOR-WINDOW FRAME FRONT BRACKET	1	
16		RF DOOR LOCK BUCKLE FIXING PLATE	1	
17	1062000025	RL DOOR UPPER HINGE ASSY.	1	
18	1062000027	RL DOOR LOWER HINGE ASSY.	1	
19		RF DOOR WINDOW FRAME REAR BRACKET	1	
20		FRONT DOOR UPPER HINGE REINFORCEMENT	1	
21		FRONT DOOR LOWER HINGE REINFORCEMENT	1	
22		RF DOOR INNER PLATE FRONT REINFORCEMENT	1	
23		RF DOOR INNER PANEL	1	



# 2110 LR DOOR ASSY.

	NO.	PART NO.	DES.	QTY	REMARK
	1	106200047601	LR DOOR MOUNTING ASSY.	1	
	2		LR DOOR WINDOW REAR FRAME	1	
	3		LR DOOR WINDOW FRONT FRAME	1	
	4		LR DOOR SEAL CHANNEL	1	
	5		LR DOOR WINDOW REAR FRAME CONNECTING PLATE	1	
	6		LR DOOR OUTER PANEL	1	
	7	1062000031	LR DOOR UPPER HINGE ASSY.	1	
	8	1062000033	LR DOOR LOWER HINGE ASSY.	1	
	9		REAR DOOR UPPER HINGE FIXING PLATE	1	
	10		REAR DOOR LOWER HINGE FIXING PLATE	1	
	11		LR DOOR OUTER PANEL GEMEL REINFORCEMENT	1	
	12		LR DOOR INNER PANEL	1	
	13		LR DOOR REINFORCEMENT POLE FRONT BRACKET	1	
	14		REAR DOOR REINFORCEMENT POLE	1	
	15		LR DOOR REINFORCEMENT POLE REAR BRACKET	1	
	16		LR DOOR INNER PANEL MIDDLE REINFORCEMENT	1	
	17		LR DOOR INNER PANEL REINFORCEMENT	1	
	18		LR DOOR LOCK BUCKLE REINFORCEMENT	1	

# 2120 RR DOOR ASSY.

	NO.	PART NO.	DES.	QTY	REMARK
	1	106200048001	RR DOOR MOUNTING ASSY.	1	
	2		RR DOOR WINDOW REAR FRAME	1	
	3		RR DOOR WINDOW FRONT FRAME	1	
	4		RR DOOR SEAL CHANNEL	1	
	5		RR DOOR WINDOW FRAME CONNECTING PLATE	1	
	6		RR DOOR OUTER PANEL	1	
	7	1062000032	RR DOOR UPPER HINGE ASSY.	1	
	8	1062000034	RR DOOR LOWER HINGE ASSY.	1	
	9		REAR DOOR UPPER HINGE FIXING PLATE	1	
	10		REAR DOOR LOWER HINGE FIXING PLATE	1	
	11		RR DOOR OUTER PANEL GEMEL REINFORCEMENT	1	
	12		RR DOOR INNER PANEL	1	
	13		RR DOOR REINFORCEMENT POLE FRONT BRACKET	1	
	14		REAR DOOR REINFORCEMENT POLE	1	
	15		RR DOOR REINFORCEMENT POLE REAR BRACKET	1	
	16		RR DOOR INNER PANEL MIDDLE REINFORCEMENT	1	
	17		RR DOOR INNER PANEL REINFORCEMENT	1	
	18		RR DOOR LOCK BUCKLE REINFORCEMENT	1	

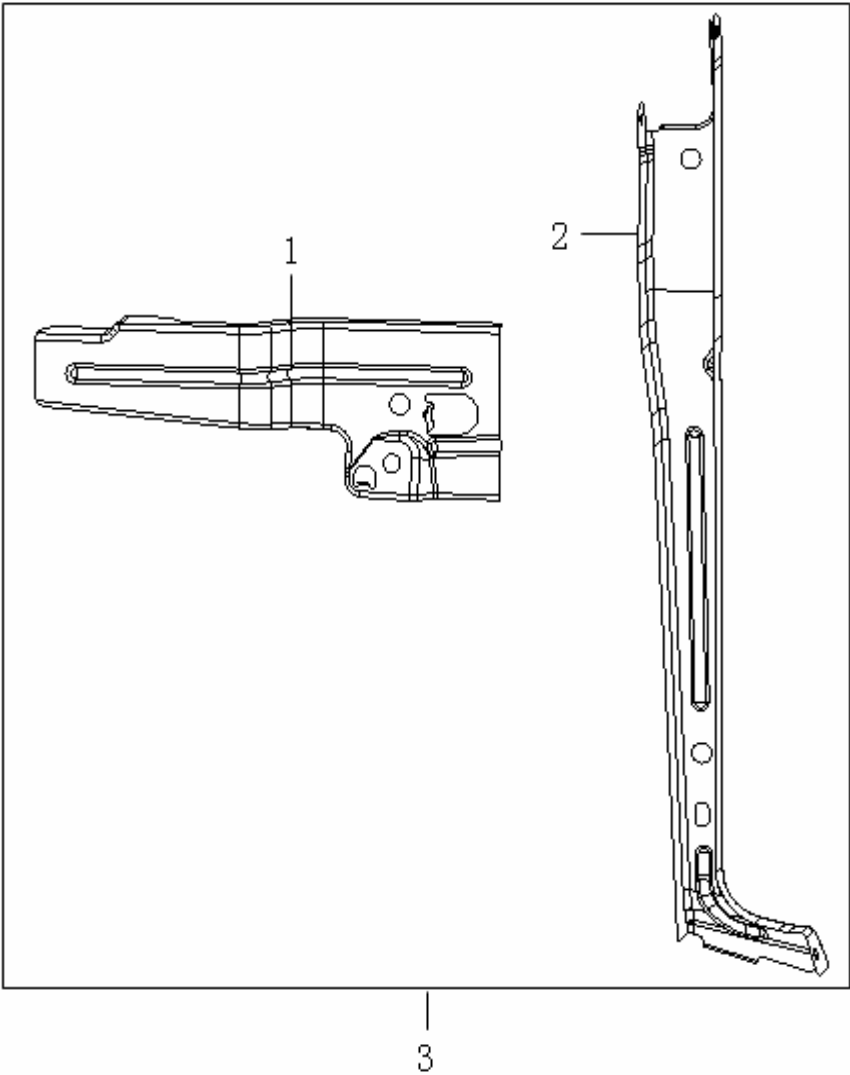
## 2130 ENGINE HOOD ASSY.

	NO.	PART NO.	DES	QTY	REMARK
	1	106200047801	ENGINE HOOD ASSY.	1	
	2		ENGINE HOOD OUTER PANEL	1	
	3		ENGINE HOOD HINGE NUT PLATE	2	
	4		ENGINE HOOD INNER PANEL	1	
	5		ENGINE HOOD LOCK UPPER COVER	1	
	6		ENGINE HOOD LOCK BUCKLE	1	
	7		ENGINE HOOD LOCK FIXING PLATE	1	
	8		ENGINE HOOD INNER REINFORCEMENT	1	
	9		ENGINE HOOD INNER CONNECTING PLATE	1	
	10	1062000038	ENGINE HOOD LEFT HINGE ASSY.	1	
	11	1062000039	ENGINE HOOD RIGHT HINGE ASSY.	1	

## 2140 TRUNK LID MOUNTING ASSY.

	NO.	PART NO.	DES.	QTY	REMARK
	1	106200048201	TRUNK LID MOUNTING ASSY.	1	
	2		HINGE SEAT REINFORCEMENT	2	
	3		TRUNK LID HINGE SHAFT	2	
	4	1062000017	TRUNK LID HINGE SHAFT ASSY.	2	
	5		LEFT HINGE MOUNTING FIXING PLATE ASSY.	1	
	6		RIGHT HINGE MOUNTING FIXING PLATE ASSY.	1	
	7		TRUNK CHECK FIXING PLATE	2	
	8		TRUNK LID INNER PANEL	1	
	9		TRUNK LOCK FIXING PLATE	1	
	10		TRUNK LID OUTER PANEL	1	

# 2150 RADIATOR CENTER BRACKET ASSY.



NO.	PART NO.	DES.	QTY	REMARK
1	1062000449	FRONT BUMPER MIDDLE BRACKET	1	
2	1062000448	RADIATOR CENTER BRACKET	1	
3		RADIATOR CENTER BRACKET ASSY.	1	

# 2160 FRONT BUMPER FRAME ASSY.

	NO.	PART NO.	DES.	QTY	REMARK
	1	1068000005	FRONT BUMPER	1	
		1068000011	FRONT BUMPER(WITH PARKING SENSOR)	1	
	2		FRONT BUMPER FRAME INNER PLATE	1	
	3	106200010551	FRONT BUMPER FRAME LEFT BRACKET	1	
	4		FRONT BUMPER FRAME LEFT SEAT	1	
	5	106200010651	FRONT BUMPER FRAME RIGHT BRACKET	1	
	6		FRONT BUMPER FRAME RIGHT SEAT	1	
7	106200046301	FRONT BUMPER FRAME MOUNTING ASSY.	1		

# 2170 REAR BUMPER FRAME ASSY.

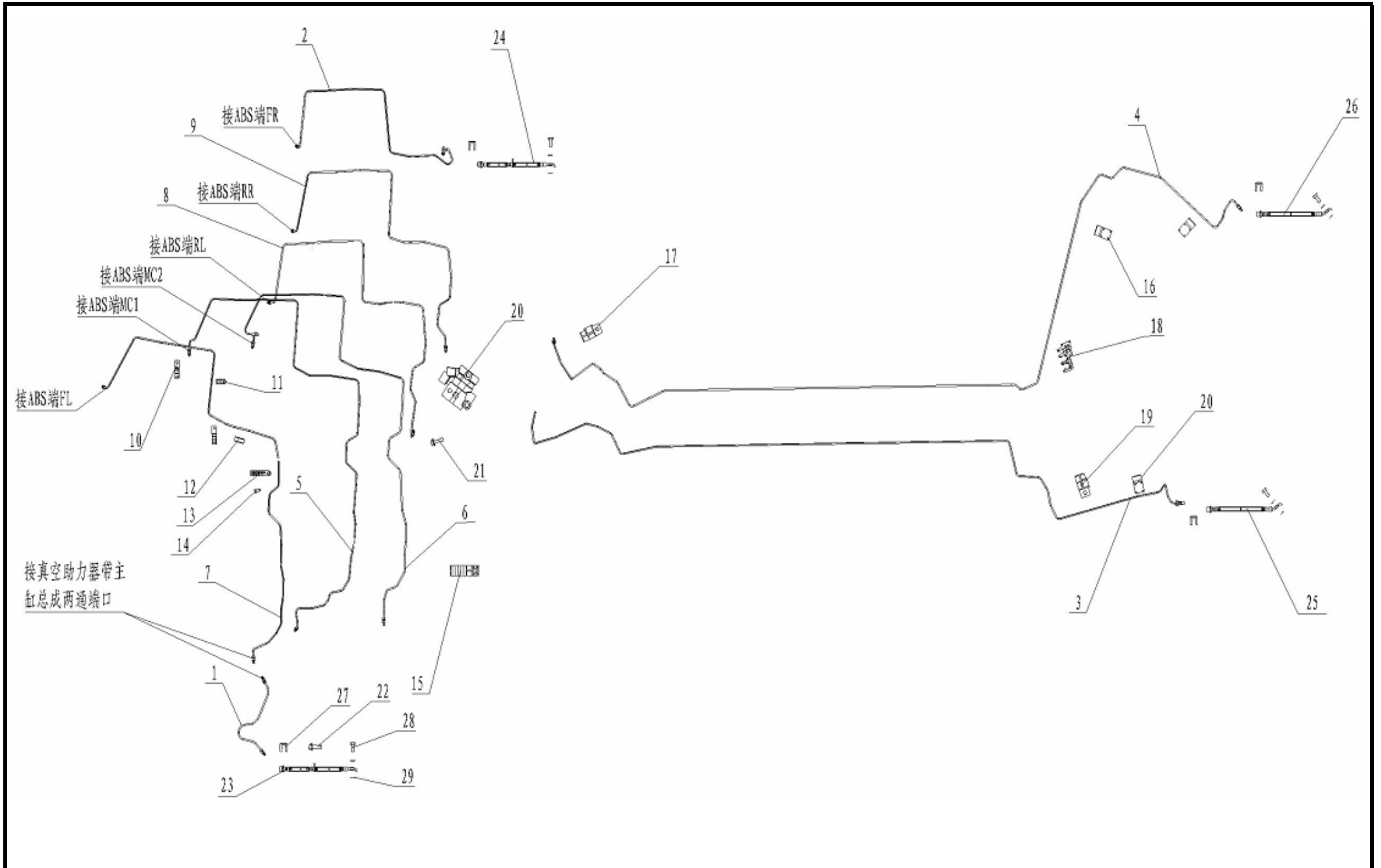
	NO.	PART NO.	DES.	QTY	REMARK
	1	106200046401	REAR BUMPER FRAME MOUNTING ASSY.	1	
		1068000012	REAR BUMPER	1	
		1068000012	REAR BUMPER(WITH PARKING SENSOR)	1	
	2		REAR BUMPER FRAME REINFORCEMENT	1	
	3		REAR BUMPER FRAME LOWER MOUNTING BRACKET	2	
	4		REAR BUMPER FRAME REINFORCEMENT LINER	2	
	5		REAR BUMPER FRAME BODY BRACKET	5	
6	1062000112	REAR BUMPER RIGHT FRAME SEAT	1		
7	1062000113	REAR BUMPER LEFT FRAME SEAT	1		

# 4010 BRAKE PEDAL ASSY.

	NO.	PART NO.	DES.	QTY	REMARK
	1	1064000141	BRAKE & CLUTCH PEDAL ASSY.	1	
	2		BRAKE PEDAL BRACKET	1	
	3		CLUTCH ADJUSTING BOLT	1	
	4		BRAKE PEDAL ARM	1	
	5		BRAKE & CLUTCH PEDAL SHAFT PIN	1	
	6		NYLON BUSH	4	
	7		BRAKE PEDAL SHAFT PIN	1	
	8		LOCKPIN	2	
	9		CLUTCH SHAFT PIN	1	
	10		CLUTCH PEDAL ARM	1	
	11		BRAKE PEDAL RUBBER BOOT	2	
	12	1064000164	VACUUM BOOSTER ASSY.	1	
	13		HEXAGON FLANGE NUT M8	4	
	14		"U" TYPE FRAME	1	
	15		ADJUSTING LOCKING NUT M10	1	
	16	1064000071	BRAKE MASTER CYLINDER ASSY.	1	
	17		SEAL BUSH $\phi 16$	1	
	18		RESERVOIR OIL CUP INSTALLATION PIN	1	
	19		RESERVOIR OIL CUP	1	
	20		RESERVOIR OIL CUP COVER	1	
	21		VACUUM VALVE ASSY.	1	
	22		VACUUM HOSE	1	
	23		CLIP	2	



# 4020 BRAKE PIPELINE ASSY.



## 4020 BRAKE PIPELINE ASSY.

NO.	PART NO.	DES.	QTY	REMARK	NO.	PART NO.	DES.	QTY	REMARK
1	1064000142	FL BRAKE PIPE ASSY.	1		27		"L" TYPE CIRCLIP	4	
2	1064000143	FR BRAKE PIPE ASSY.	1		28		PIPE BOLT	4	
3	1064000144	RL BRAKE PIPE ASSY.	1		29		SEAL WASHER	8	
4	1064000145	RR BRAKE PIPE ASSY.	1						
5	1064000146	MASTER CYLINDER FRONT PIPE	1						
6	1064000147	MASTER CYLINDER REAR PIPE	1						
7	1064000148	LF BRAKE ABS PIPE ASSY.	1						
8	1064000149	LR BRAKE ABS PIPE ASSY.	1						
9	1064000150	RR BRAKE ABS PIPE ASSY.	1						
10	1064000151	6-WAYS COMPLEX CLIP	2						
11	1064000152	6-WAYS CLIP	1						
12	1064000153	SQUARENESS CLIP	1						
13	1064000154	7-WAYS CLIP	1						
14		HEXAGON HEAD BOLT & PLAIN WASHER ASSY.	2	M6x12					
15	1064000155	PARALLEL PLUG 3-WAYS CLIP	1						
16	1064000157	PARALLEL PLUG SINGLE WAY CLIP	2						
17	1064000159	PARALLEL PLUG DUAL WAY CLIP	1						
18	1064000160	UPRIGHTNESS PLUG 3-WAYS CLIP	1						
19	1064000027	DUAL PIPE CLIP	1						
20	1064000163	4-WAYS VALVE	1						
21		HEXAGON FLANGE BOLT	1						
22		HEXAGON HEAD BOLT & PLAIN WASHER ASSY.	2	M8x16					
23	1064000165	LF BRAKE HOSE ASSY.	1						
24	1064000166	RF BRAKE HOSE ASSY.	1						
25	1064000167	REAR BRAKE HOSE ASSY.	1						
26	1064000167	REAR BRAKE HOSE ASSY.	1						

# 4030 FRONT BRAKE WITH STEERING KNUCKLE ASSY.

	NO.	PART NO.	DES.	QTY	REMARK
	1	1064000134	LF BRAKE ASSY.	1	
		1064000135	RF BRAKE ASSY.	1	
	2	1061001092	FRONT WHEEL HUB	1	
		1061001090	FRONT WHEEL HUB BEARING	1	
	3	1061001091	FRONT BRAKE DISC	2	
	4		LF BRAKE CALIPER MOUNTING BRACKET	1	
			RF BRAKE CALIPER MOUNTING BRACKET	1	
	5	1061001402	LF BRAKE CALIPER WITH PUMP ASSY.	1	
		1061001403	RF BRAKE CALIPER WITH PUMP ASSY.	1	
	6		BRAKE CALIPER DEFLATION BOLT	1	
	7		DEFLATION BOLT COVER	1	
	8		BRAKE CALIPER FIXING BOLT	2	
	9		POLE PIN DUST BOOT	2	
	10		POLE PIN	2	
	11		BRAKE CALIPER PUMP FIXING BOLT	2	
	12	1061001401	FRONT BRAKE OUTER FRICTION PAD	2	
	13	1061001401	FRONT BRAKE INNER FRICTION PAD	2	
14		WARNING PAD	1		
15		SOUND INSULATOR I	2		
16		GUIDE CIRCLIP	2		
17		SOUND INSULATOR II	2		
	1061001402-01	LF BRAKE CALIPER WITH PUMP	1		
	1061001403-01	RF BRAKE CALIPER WITH PUMP	1		

# 4040 FRONT STEERING KNUCKLE WITH WHEEL HUB ASSY.

	NO.	PART NO.	DES.	QTY	REMARK
	1		FRONT STEERING KNUCKLE WITH WHEEL HUB ASSY.	1	
	2	1061001070	LF STEERING KNUCKLE	1	
		1061001093	RF STEERING KNUCKLE	1	
	3	1064000238	FRONT WHEEL HUB BOLT	1	
	4		DUSTPROOF PLATE	1	
5		DUSTPROOF PLATE MOUNTING BOLT	1		

## 4050 REAR BRAKE WITH WHEEL HUB ASSY.

	NO.	PART NO.	DES.	QTY	REMARK
	1	1064000137	RL BRAKE ASSY.	1	
		1064000139	RR BRAKE ASSY.	1	
	2	1061001126	REAR WHEEL HUB CELL ASSY.	1	
	3		RL BRAKE BOTTOM PLATE ASSY.	1	
			RR BRAKE BOTTOM PLATE ASSY.	1	
	4	1061001407	REAR BRAKE DISC	1	
	5		RL BRAKE CALIPER INSTALLATION BRACKET	1	
			RR BRAKE CALIPER INSTALLATION BRACKET	1	
	6	1061001405	RL BRAKE CALIPER WITH PUMP ASSY.	1	
		1061001406	RR BRAKE CLIPER WITH PUMP ASSY.	1	
	7		BRAKE CLIPER DEFLATION BOLT	1	
	8		DEFLATION BOLT COVER	1	
	9	1061001404	REAR BRAKE INNER FRICTION PAD	2	
	16	1061001404	REAR BRAKE OUTER FRICTION PAD	2	
	10		REAR BRAKE FRICTION PAD WEAR INDICATOR	2	
	11		BRAKE CLIPER FIXING BOLT	2	
	12		REAR POLE PIN 1# DUSTPROOF COVER	1	
	13		REAR POLE PIN 2# DUSTPROOF COVER	1	
	14		REAR POLE PIN 1#	1	
	15		REAR POLE PIN 1# INSTALLATION BOLT	1	
17		REAR WHEEL HUB BOLT	4		
	1061001405-01	RL BRAKE CALIPER WITH PUMP	1		
	1061001406-01	RR BRAKE CLIPER WITH PUMP	1		

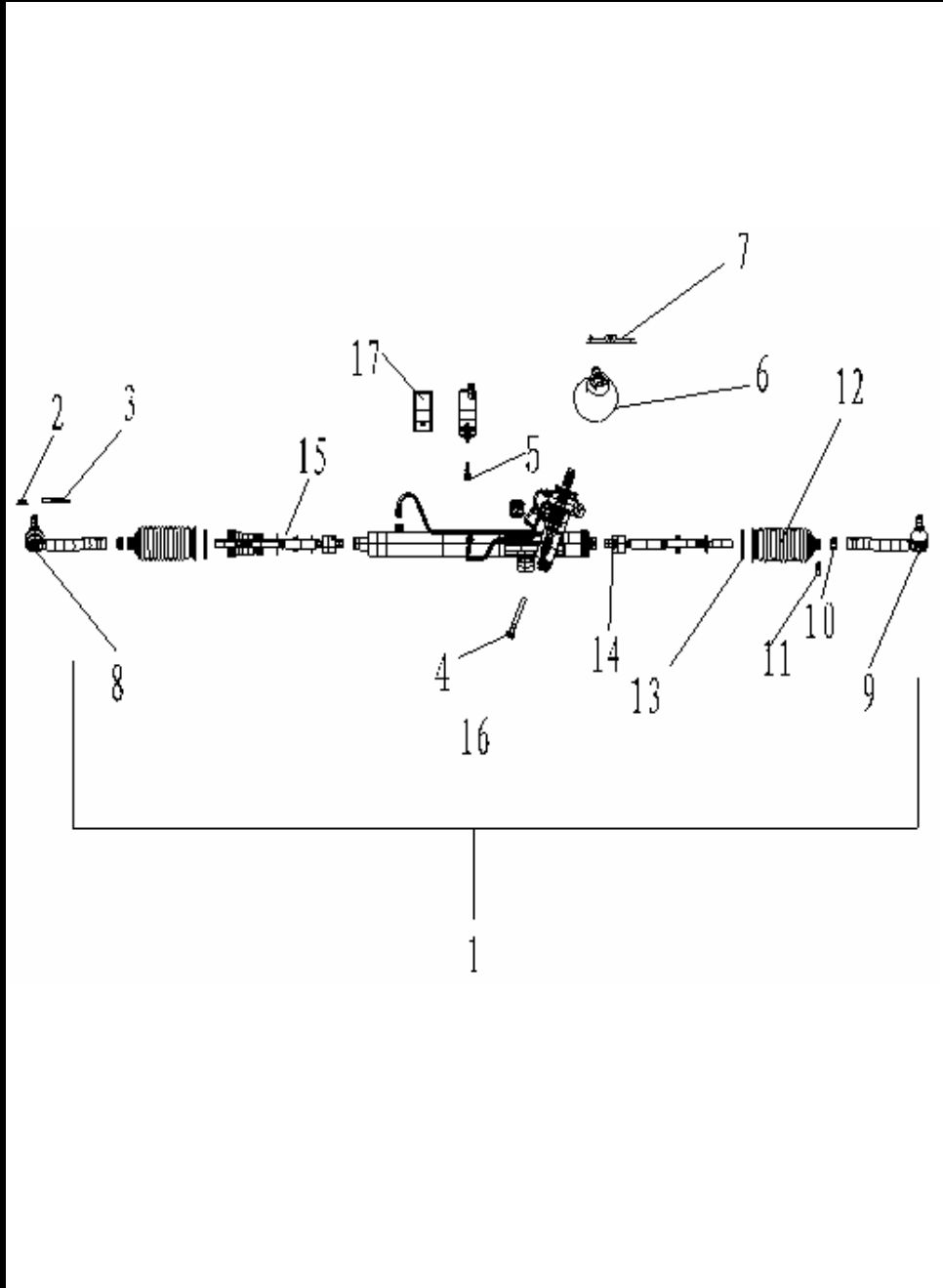
# 4060 PARKING BRAKE CONTROL ASSY.

	NO.	PART NO.	DES.	QTY	REMARK
	1	1064000161	PARKING BRAKE CONTROL ASSY.	1	
	2		PARKING CONTROL HANDLE	1	
	3		PARKING CONTROL HANDLE BOOT	1	
	4		PARKING BRAKE SWITCH	1	
	5		HEXAGON HEAD BOLT & SPRING WASHER ASSY.	1	
	6		PARKING BRAKE FRONT CABLE ASSY.	1	
	7		PARKING BRAKE CABLE JACKET	1	
	8		CABLE BALANCE CLIP	1	
	9	1061001122	LR CABLE ASSY.	1	
	10	1061001109	RR CABLE ASSY.	1	
	11	1061001410	PARKING BRAKE SHOE	2	
	12	1064001636	PARKING BRAKE SHOE SUPPORT SCREW	2	
	13	1064001637	DISHING SPRING	2	
	14	1064001638	SUPPORT PLATE	1	
	15	1064000187	SHOE LEFT 1# RETURN SPRING	1	
	16	1064000188	SHOE RIGHT 1# RETURN SPRING	1	
	16	1064000189	SHOE LEFT 2# RETURN SPRING	1	
16	1064000190	SHOE RIGHT 2# RETURN SPRING	1		
17	1064001639	PARKING BRAKE CABLE RETURN SPRING	1		

# 4070 STEERING GEAR

	NO.	PART NO.	DES.	QTY	REMARK
	1	1064000122	STEERING COLUMN ASSY.	1	
	2	1064000175	UNIVERSAL JOINT UPPER PART ASSY.	1	
	3	1064000176	UNIVERSAL JOINT LOWER PART ASSY.	1	
	4		HEXAGON HEAD BOLT & PLAIN WASHER ASSY.	2	
	5		HEXAGON FLANGE BOLT M8x55	1	
	6	1064000126	STEERING COLUMN UNIVERSAL JOINT BOLT	2	
	7	1064000123	STEERING COLUMN INNER DUST BOOT	1	
	8	1064000127	STEERING COLUMN INNER DUST BOOT CLIP	2	
	9	1068000019	IGNITION SWITCH WITH LOCK & KEY ASSY.	1	
	10		IGNITION SWITCH HOOP	1	
	11		THEFT-DETERRENT BOLT	2	

# 4080 EPS ASSY.

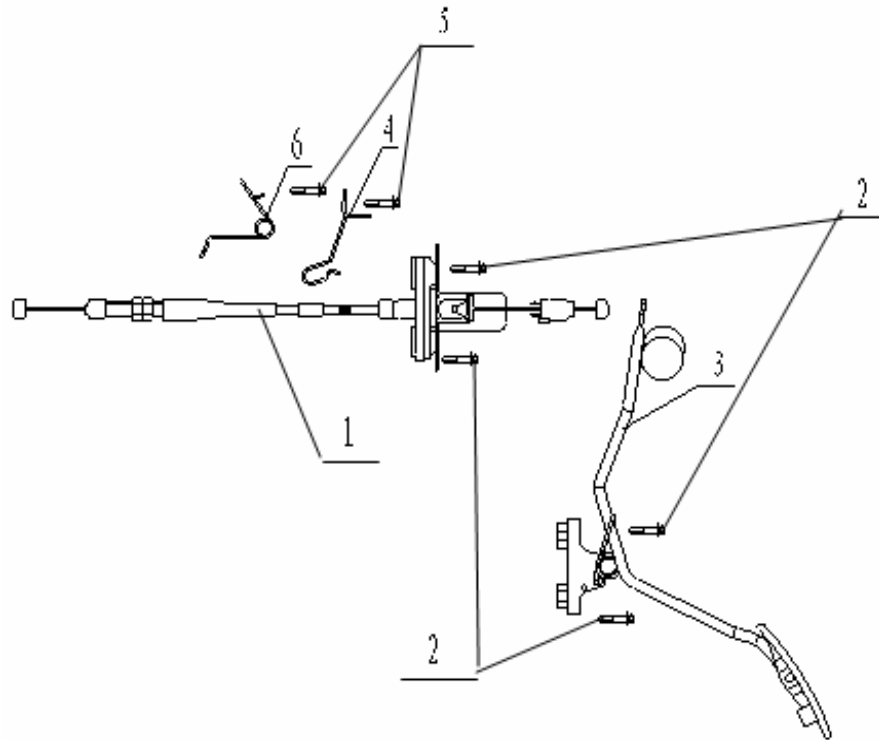
	NO.	PART NO.	DES.	QTY	REMARK
	1	1064000133	EPS ASSY.	1	
	2		HEXAGON NOTCH NUT M12x1.25	2	
	3		PIN 3.2x30	2	
	4		HEXAGON FLANGE BOLT & WASHER ASSY.	2	M12x1.25x58
	5		HEXAGON FLANGE BOLT M12x1.25x33	2	
	6	1064000124	STEERING COLUMN OUTER DUST BOOT	1	
	7	1064000125	OUTER DUST BOOT FRAME	1	
	8	1061001068	LEFT STEERING TIE ROD BALL JOINT	1	
	9	1061001067	RIGHT STEERING TIE ROD BALL JOINT	1	
	10		HEXAGON NOTCH THIN NUT	2	
	11		CLIP	2	
	12		BOOT	2	
	13		STEPLESS CLIP	2	
	14	1061001069	TIE ROD INNER BALL JOINT	2	
	15		RACK LOCK	2	
	16		SHOCK ABSORBER BOOT	1	
	17		EPS FIXING NIP	1	



# 4090 EPS PIPELINE ASSY.

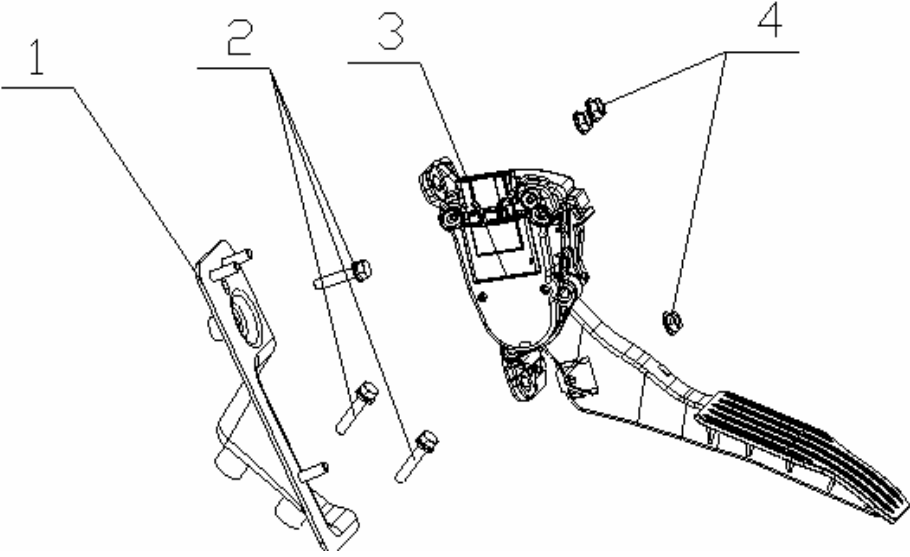
	NO.	PART NO.	DES.	QTY	REMARK
	1	1064000130	EPS PIPELINE WITH RESERVOIR ASSY.	1	
	2		EPS RESERVOIR ASSY.	1	
	3		POWER STEERING RESERVOIR TANK COVER	1	
	4		HEXAGON HEAD BOLT & PLAIN WASHER ASSY.	5	M6x20
	5		HEXAGON HEAD BOLT & PLAIN WASHER ASSY.	1	M6x30
	6	1064000131	EPS OIL OUTLET PIPE ASSY.	1	
	7		HEXAGON HEAD BOLT & PLAIN WASHER ASSY.	1	M6x20
	8		EPS LOW PRESSURE OIL RETURN PIPE	1	
	9		WORM DRIVE HOOP	1	
	10	1064000132	EPS OIL PUMP ASSY.	1	
	11		HEXAGON FLANGE NUT M10x1.25	2	
	12		HEXAGON FLANGE BOLT M10x1.25x122	2	
	13		EPS OIL PUMP "O" TYPE RING	1	
	14		EPS OIL INLET PIPE JOINT	1	
	15		HEXAGON FLANGE BOLT	4	
	16		STEERING PIPE FIXING BRACKET	1	
	17		HEXAGON FLANGE BOLT	1	
	18		EPS OIL PRESSURE SENSOR	1	
	19		EPS RADIATOR PIPE ASSY.	1	
	20		WORN DIRVE HOOP	1	
	21		EPS OIL PUMP STRAP WHEEL	1	

# 4100 ACCELERATOR PEDAL ASSY.



NO.	PART NO.	DES.	QTY	REMARK
1	1064000031	ACCELERATOR CABLE ASSY.	1	
2		HEXAGON BOLT & PLAIN WASHER ASSY.	4	M6x30
3	1064000032	ACCELERATOR PEDAL ASSY.	1	
4	1064000029	ACCELERATOR CABLE REAR FIXING SPRING CLIP	1	
5		HEXAGON BOLT & PLAIN WASHER ASSY.	2	M6x29
6	1064000030	ACCELERATOR CABLE FRONT FIXING SPRING CLIP	1	

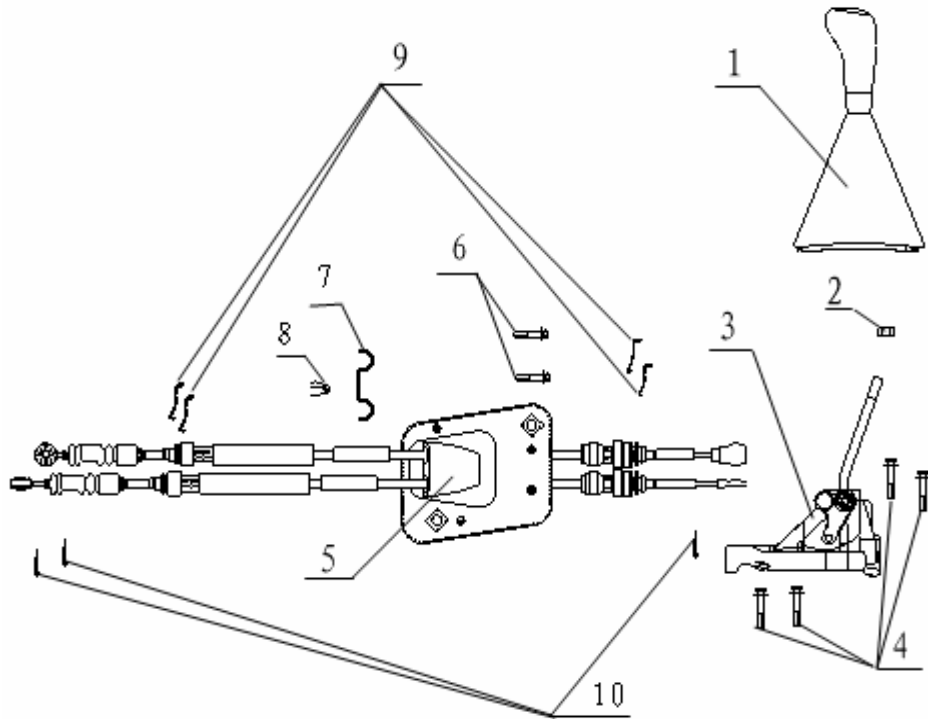
# 4110 ELECTRON ACCELERATOR PEDAL

	NO.	PART NO.	DES.	QTY	REMARK
	1	1064001188	MOUNTING BRACKET,ELECTRON ACCELERATOR PEDAL	1	
	2		HEXAGON BOLT AND FLAT WASHER	3	
	3	1014017514	ELECTRON ACCELERATOR PEDAL	1	
	4		HEXAGON FLANGE NUT	3	

## 4120 CLUTCH PIPELINE ASSY.

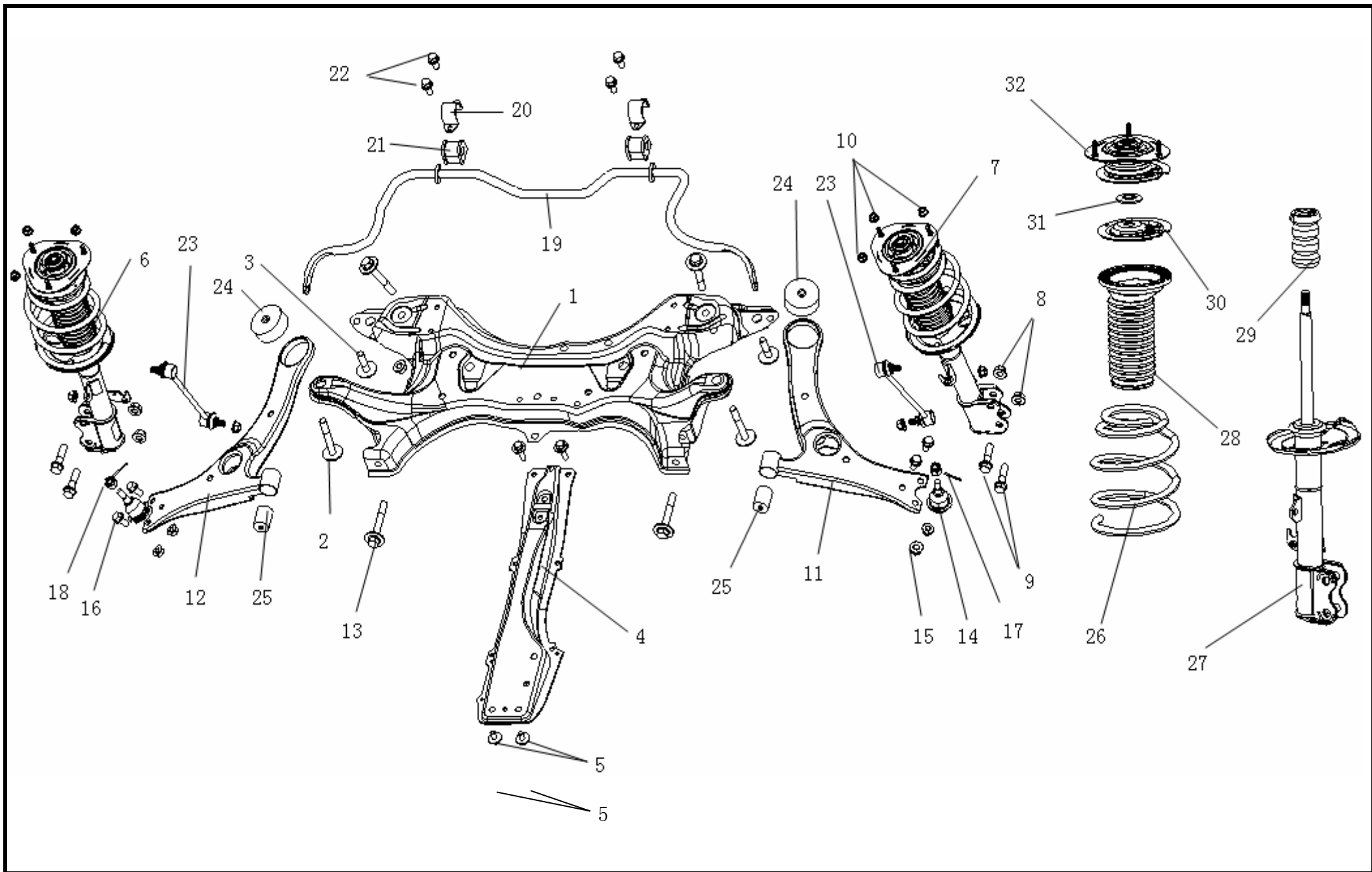
	NO.	PART NO.	DES.	QTY	REMARK
	1	1064000071	CLUTCH MASTER CYLINDER WITH OIL INLET PIPE ASSY.	1	
	2		HEXAGON FLANGE NUT M8	2	
	3	1064000064	CLUTCH MASTER CYLINDER OIL OUTLET PIPE ASSY.	1	
	4	1064000065	SINGLE WAY FIXING CLIP	1	
	5		HEXAGON HEAD BOLT & PLAIN WASHER ASSY.	1	M6x16
	6	1064000068	CLUTCH HOSE SEAT	1	
	7		HEXAGON FLANGE NUT M6	2	
	8	1064000066	CLUTCH HOSE ASSY.	1	
	9		CLUTCH CYLINDER OIL INLET PIPE ASSY.	1	
	10		"L" TYPE SPRING CLIP	2	
	11		CLUTCH CYLINDER ASSY.	1	
	12		HEXAGON HEAD BOLT & PLAIN WASHER ASSY.	2	

# 4130 GEARSHIFT CONTROL ASSY.



NO.	PART NO.	DES.	QTY	REMARK
1	1064000191	GEARSHIFT CONTROL HANDLE ASSY.	1	LUXURY
1	1064000081	GEARSHIFT CONTROL HANDLE ASSY.	1	
2		HEXAGON NUT M12	1	
3	1064000192	GEARSHIFT CONTROL FRAME ASSY.	1	
4		HEXAGON FLANGE BOLT M8x30	4	
5	1064000075	GEARSHIFT SHAFT ASSY.	1	
6		HEXAGON FLANGE BOLT M8x16	2	
7	1064000076	GEARSHIFT SHAFT FIXING PLATE	1	
8		HEXAGON FLANGE NUT M6	1	
9	1064000077	GEARSHIFT CABLE "U" TYE CLIP	4	
10		GEARSHIFT CABLE COTTER PIN	3	

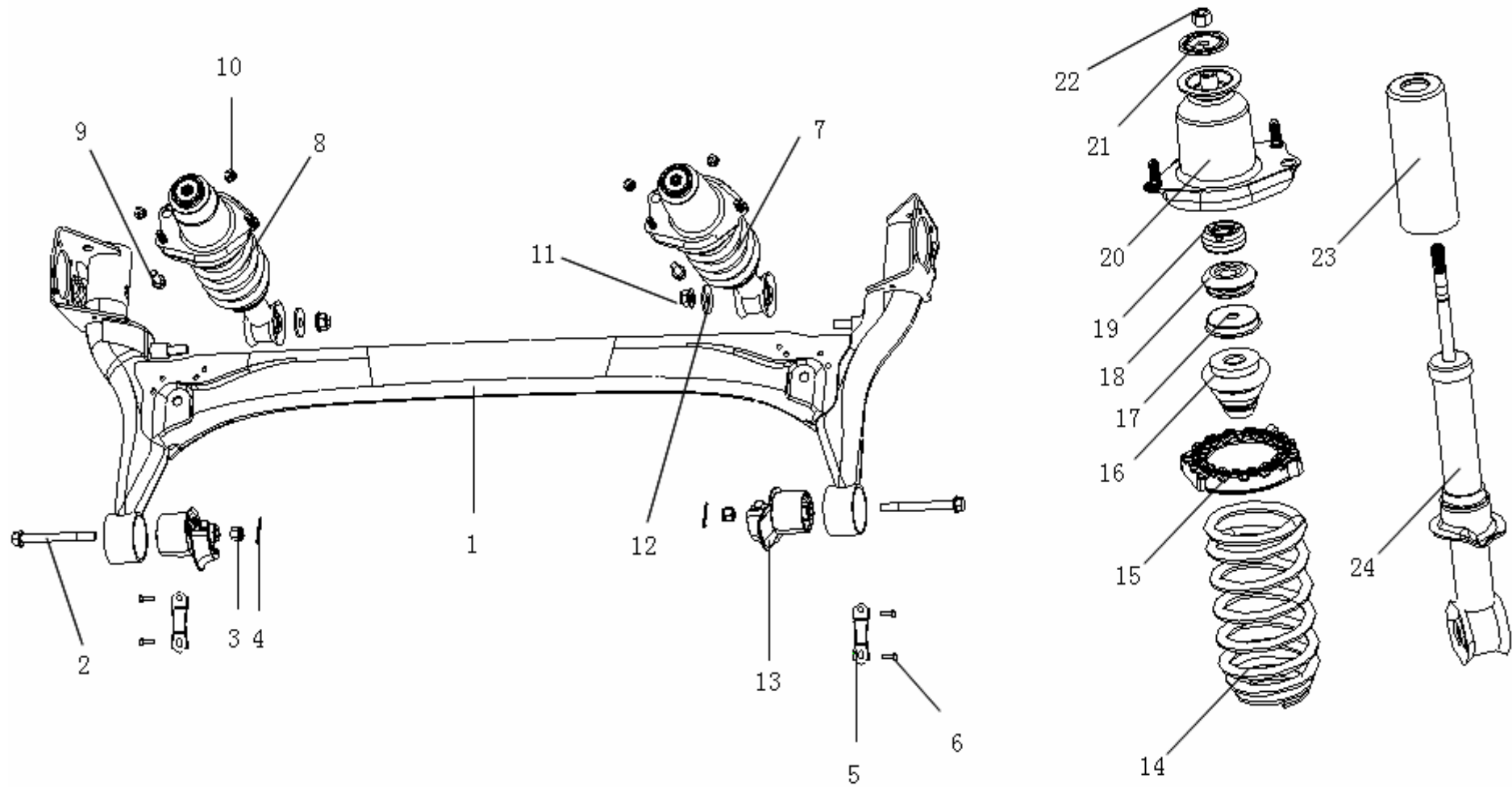
# 4140 FRONT SUSPENSION ASSY.



## 4130 FRONT SUSPENSION ASSY..

NO.	PART NO.	DES.	QTY	REMARK	NO.	PART NO.	DES.	QTY	REMARK
1	1064000087	CHASSIS FRAME ASSY.	1		25	1064001329	LOWER TRAILING ARM REAR RUBBER CUSHION	2	
	1064001419	CHASSIS FRAME ASSY.	1	RUSSIA	26	1061001033	FRONT SUSPENSION COIL SPRING	2	
2		HEXAGON FLANGE BOLT & PLAIN WASHER ASSY.	2		27	1061001036	LF SHOCK ABSORBER ASSY.	1	
3		HEXAGON FLANGE BOLT & PLAIN WASHER ASSY.	2			1061001037	RF SHOCK ABSORBER ASSY.	1	
4	1064000088	SIDE RAIL ASSY.	1		28	1061001034	FRONT SHOCK ABSORBER DUST BOOT	2	
5		HEXAGON FLANGE BOLT & PLAIN WASHER ASSY.	2		29	1061001032	FRONT SHOCK ABSORBER CUSHION	2	
6	1064000089	FL POLE ASSY.	1		30	1061001039	UPPER SPRING SEAT JOINTING ASSY.	2	
7	1064000090	FR POLE ASSY.	1		31	1061001031	FRONT SHOCK ABSORBER DUSTPROOF CUSHION	2	
8		HEXAGON FLANGE BOLT NUT M14x1.5x55	4		32	1061001038	FRONT SHOCK ABSORBER UPPER CONNECTING ASSY.	2	
9		HEXAGON FLANGE NUT M14x1.5	10						
10		HEXAGON FLANGE ADDING THICK NUT	6	M8x1.25					
11	1064000091-01	LEFT LOWER TRAILING ARM ASSY.	1						
12	1064000092-01	RIGHT LOWER TRAILING ARM ASSY.	1						
13		HEXAGON BOLT & GASKET ASSY.	4	M14x1.5x95					
14	1064000093	LOWER TRAILING ARM BALL JOINT ASSY.	2						
15		HEXAGON FLANGE ADDING THICK NUT	4	M12x1.25					
16		HEXAGON FLANGE BOLT M12x1.25x16	2						
17		COTTER PIN 3.2x30	2						
18		HEXAGON SLOTTED NUT M14x1.5	2						
19	1064000094	FRONT STABILIZER BAR ASSY.	1						
20	1064000095	FRONT STABILIZER BAR FIXING CLIP	2						
21	1064000096	FRONT STABILIZER BAR RUBBER BOOT	2						
22		HEXAGON FLANGE BOLT & PLAIN WASHER ASSY.	4	M8x25					
23	1064000097	FRONT STABILIZER BAR CONNECTING BAR ASSY.	2						
24	1064001328	LOWER TRAILING ARM FRONT RUBBER CUSHION	2						

# 4150 REAR SUSPENSION ASSY.





## 4150 REAR SUSPENSION ASSY.

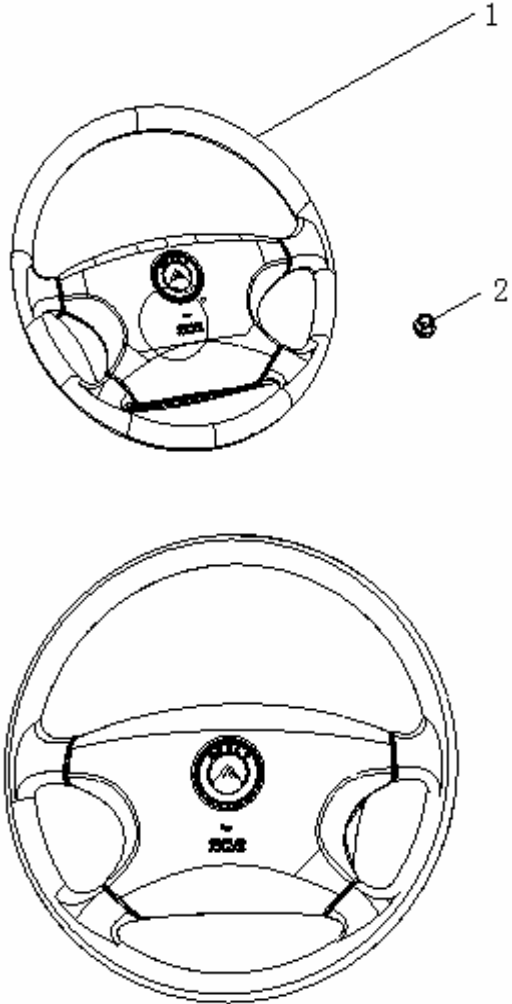
NO.	PART NO.	DES.	QTY	REMARK	NO.	PART NO.	DES.	QTY	REMARK
1	1064000120	REAR AXLE ASSY.	1			1061001053	REAR SHAFT RUBBER COVER ASSY	2	
2		HEXAGON BOLT & PLAIN WASHER ASSY.	2						
3		HEXAGON FLANGE SLOTTED NUT	2	M12x1.25					
4		COTTER PIN 3.2x30	2						
5		REAR AXLE SEAT REINFORCE	2						
6		HEXAGON BOLT & PLAIN WASHER ASSY.	4	M8x20					
7	1064000098	RL POLE ASSY.	1						
8	1064000099	RR POLE ASSY.	2						
9		HEXAGON FLANGE BOLT M10x1.25x25	2						
10		HEXAGON FLANGE ADDING THICK NUT	4						
11		HEXAGON FLANGE NUT M14x1.5	2						
12	JQ402DB14	WASHER $\phi$ 14	2						
13	1064001327	REAR AXLE RUBBER BOOT	2						
14	1061001048	REAR SUSPENSION COIL SPRING	2						
15	1061001046	UPPER SPRING RUBBER CUSHION	2						
16	1061001045	REAR SHOCK ABSORBER CUSHION	2						
17	1061001044	REAR SHOCK ABSORBER CUSHION UPPER COVER	2						
18	1061001042	REAR SHOCK ABSORBER LOWER RUBBER MAT	2						
19	1061001041	REAR SHOCK ABSORBER UPPER RUBBER MAT	2						
20	1061001050	RL SHOCK ABSORBER UPPER CONNECTING ASSY.	1						
	1061001051	RR SHOCK ABSORBER UPPER CONNECTING ASSY.	1						
21	1061001040	REAR SHOCK ABSORBER UPPER RUBBER STOP SEAT	2						
22		HEXAGON LOCKING NUT	2						
23	1061001047	REAR SHOCK ABSORBER DUST BOOT	2						
24	1061001049	REAR SHOCK ABSORBER ASSY.	2						
	1061001035	LOWER SPRING RUBBER CUSHION	2						

# 4160 DRIVE SHAFT ASSY.

	NO.	PART NO.	DES.	QTY	REMARK	
	1	1064000082	LEFT DRIVE SHAFT ASSY.	1	4G18	
			1064001338	LEFT DRIVE SHAFT ASSY.	1	4G15
	2	1064000084	RIGHT DRIVE SHAFT ASSY.	1	4G18	
			1064001339	RIGHT DRIVE SHAFT ASSY.	1	4G15
	3	1064000083	DRIVE SHAFT FIXING NUT	2		
	4	1064000291	L/R OUTER RZEPPA CONSTANT VELOCITY JOINT	1		
	5		DRIVE SHAFT CLIP 1	1		
	6		OUTER RZEPPA DUST BOOT	1		
	7		RIGHT DERIVE SHAFT MANDREL	1		
	8		BALANCE PIECE	1		
	9		DRIVE SHAFT CLIP 2	1		
	10		DRIVE SHAFT CLIP 3	1		
	11		INNTER RZEPPA DUST BOOT	1		
	12		DRIVE SHAFT CLIP 4	1		
	13		THREE FORK BODY	1		
	14		"C" TYPE HOOP	2		
	15	1064000294	RIGHT INNER RZEPPA CONSTANT VELOCITY JOINT	1		
	16		STEEL WIRE SNAP RING	1		
17	1064000293	LEFT INNER RZEPPA CONSTANT VELOCITY JOINT	1			
18		LEFT DERIVE SHAFT MANDREL	1			
		1064000298	OUTER RZEPPA REPAIR KIT	1		
		1064000299	INNER RZEPPA REPAIR KIT	1		



# 4180 STEERING WHEEL ASSY.

	NO.	PART NO.	DES.	QTY	REMARK
	1	1067010002	STEERING WHEEL ASSY. (PEAHWOOD)	1	
		1067010001	STEERING WHEEL ASSY.	1	
	2		HEXAGON FLANGE NUT	1	

# 6010 ENGINE ASSY.

	NO.	PART NO.	DES.	QTY	REMARK
	1	1136000001	JL4G18 GASOLINE ENGINE	1	EIII
	1	1066001025	JL4G18 GASOLINE ENGINE	1	DELPHI
	1	1136000401	JL4G15 GASOLINE ENGINE	1	HITACHI
	1	1066001024	JL4G15 GASOLINE ENGINE	1	DELPHI
	2	3000000010	TRANSMISSION ASSY.	1	
	3		HEXAGON FLANGE BOLT M12x1.25x55	2	
	4		HEXAGON HEAD BOLT & SPRING WASHER ASSY.	2	M10X1.25X45
	5		HEXAGON HEAD BOLT & SPRING WASHER ASSY.	2	M10X1.25X40
6		ENGINE COVER SET	1		
7		ENGINE COVER PLASTIC SCREW	2		
8	1136000003	"CAP" TYPE NUT	2		

## 6020 ENGINE MOUNTING ASSY.

	NO.	PART NO.	DES.	QTY	REMARK
	1	1064000001	ENGINE LEFT MOUNTING ASSY.	1	
	2		HEXAGON FLANGE BOLT M10x1.25x22	17	
	3	1064000002	ENGINE LEFT MOUNTING BRACKET	1	
	4		HEXAGON FLANGE BOLT M10X1.25x100	1	
	5		HEXAGON FLANGE NUT M10x1.25	5	
	6	1064000003	ENGINE FRONT MOUNTING ASSY.	1	
	7	1064000004	ENGINE FRONT MOUNTING BRACKET	1	
	8		HEXAGON FLANGE BOLT M10x1.25x90	1	
	9	1064000005	ENGINE RIGHT MOUNTING ASSY.	1	
	10		HEXAGON FLANGE BOLT M10x1.25x45	1	
	11		HEXAGON FLANGE BOLT M10x1.25x22	6	
	12		HEXAGON FLANGE THICK BOLT M10x1.25	2	
	13	1064000006	ENGINE REAR MOUNTING ASSY.	1	4G18
		1066001074	ENGINE REAR MOUNTING ASSY.	1	4G15
	14		HEXAGON FLANGE BOLT & PLAIN WASHER ASSY.	3	
	15	1064000007	ENGINE REAR MOUNTING BRACKET	1	
	16		HEXAGON FLANGE NUT M12x1.25	1	
	17		HEXAGON FLANGE BOLT M12x1.25x100	1	
	18	1064000008	ENGINE REAR INSULATOR ASSY.	1	
19		HEXAGON FLANGE BOLT M8x16			

# 6030 GASOLINE TANK

	NO.	PART NO.	DES.	QTY	REMARK
	1	1064000009	GASOLINE TANK ASSY.(PLASTIC)	1	
	2	1064000011	GASOLINE TANK ASSY.(METAL)	1	
	3	1064000010	GASOLINE TANK LEFT HANGE	1	
	4	1064000012	GASOLINE TANK LEFT HANGE ASSY.	1	
	5	1064000016	OIL FILLER SYPHON ASSY.	1	
	6		HEXAGON HEAD BOLT & PLAIN WASHER ASSY.	2	M8x20
	7	1064000017	OIL FILLER NOZZLE BOOT ASSY.	1	
	8	1064000018	OIL FILLER NOZZLE CIRCLIP ASSY.	1	
	9	1064000019	GASOLINE TANK RUBBER SYPHON	1	
	10		"A" TYPE WORM DRIVE HOSE HOOP 32-50	2	
	11	1064000020	OIL FILLER SYPHON PLASTIC BOOT	1	
	12	1064000021	GASOLINE RUBBER VENT PIPE	1	
	13		"A" TYPE WORM DRIVE HOSE HOOP 16-27	2	
	14	1064000022	OIL FILLER CAP ASSY.	1	
	15		"A" TYPE WORM DRIVE HOSE HOOP 10-16	1	
	16	1136000126	FUEL PUMP ASSY.	1	
		1064000264	FUEL PUMP SEAL WASHER	1	

# 6040 FUEL PIPELINE

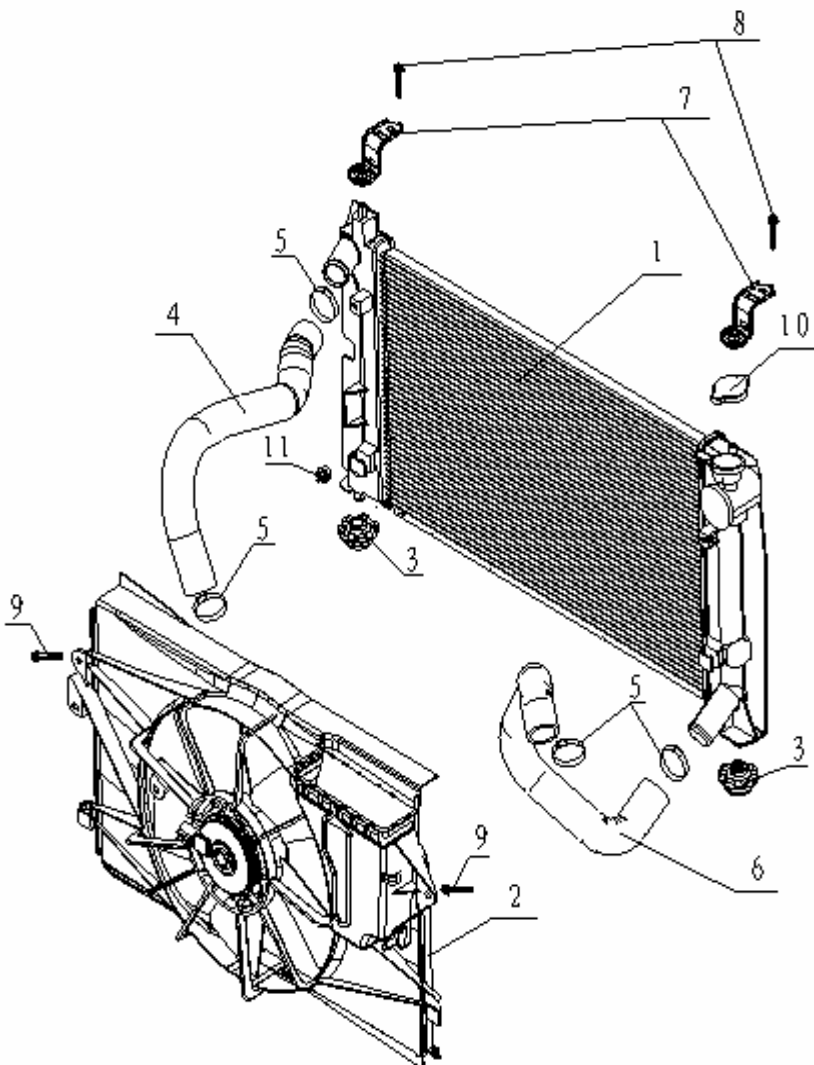
	NO.	PART NO.	DES.	QTY	REMARK
	1	1064000037	FUEL FILTER ASSY.	1	
	2	1064000038	FUEL FILTER MOUNTING BRACKET ASSY.	1	
	3		HEXAGON HEAD BOLT & PLAIN WASHER ASSY.	1	M8x16
	4	1064000015	FUEL PIPE	1	
	5		A TYPE WORM DRIVE TUBE HOOP Q16	4	
	6	1064000013	FUEL SUPPLY PIPE ASSY.	1	
	7	1064000014	FUEL STEAM CALLBACK PIPE ASSY.	1	
	8	1136000132	CANISTER ASSY.	1	
	9	1136000133	CANISTER MOUNTING BRACKET ASSY.	2	
	10		HEXAGON HEAD BOLT & PLAIN WASHER ASSY.	1	M6x16
	11		HEXAGON FLANGE NUT M6	2	
	12	1064000039	FUEL STEAM CALLBACK HOSE I	1	
	13		METAL STRIP TYPE SPRING HOOP φ12	4	
	14	1064000040	FUEL STEAM CALLBACK HOSE II	1	
	15	1064000026	THREE WAY PIPE CLIP	1	
	16	1064000025	THREE WAY WITH SEAT PIPE CLIP	1	
	17	1064000023	FIVE WAY WITH SEAT PIPE CLIP	4	
	18	1064000024	FIVE WAY PIPE CLIP	1	
	19		UPRIGHTNESS JACK THREE WAY PIPE CLIP	1	
	20	1064000028	SQUARE JACK SINGLE WAY PIPE CLIP	1	
	21	1136000131	CANISTER CONTROL VALVE ASSY.	1	
	21	1086000789	CANISTER CONTROL VALVE ASSY.	1	DELPHI
	22	1064000041	CANISTER CONTROL VALVE BRACKET	1	
23		GASOILNE TANK RUBBER VENT-PIPE CLIP	1		



# 6050 AIR INTAKE SYSTEM

	NO.	PART NO.	DES.	QTY	REMARK
	1	1064000033	AIR CLEANER ASSY.(4G18)	1	
	1	1064000033-01	AIR CLEANER ASSY.(4G15)	1	DELPHI
	2		HEXAGON HEAD BOLT & PLAIN WASHER ASSY.	3	M6x35
	3	1064000034	AIR CLEANER REAR AIR INTAKE HOSE	1	
	4		"B" TYPE WORM DRIVE HOOP	2	
	5	1064000035	AIR CLEANER FRONT AIR INTAKE HOSE	1	
	6		HEXAGON HEAD BOLT & PLAIN WASHER ASSY.	1	M6x12
	7		SHIELD PLASTIC SNAP FASTENER	1	
	8	1064000036	AIR CLEANER RESONANCE BOX ASSY.	1	
	9		HEXAGON HEAD BOLT & PLAIN WASHER ASSY.	2	M6x20
	10		HEXAGON FLANGE NUT M6	1	
11	1064000180	AIR CLEANER ELEMENT	1		

# 6060 COOLING SYSTEM

	NO.	PART NO.	DES.	QTY	REMARK
	1	1064000059	RADIATOR ASSY.	1	
	2	1064000060	ELECTRIC FAN & COVER ASSY.	1	
	3	1064000061	RADIATOR LOWER MOUNTING RUBBER MAT	2	
	4	1064001414	RADIATOR WATER INLET HOSE	1	
	5		"B" TYPE WORM DRIVE TUBE HOOP φ45	4	
	6	1064000063	RADIATOR WATER OUTLET HOSE	1	
	7	1064000058	RADIATOR UPPER MOUNTING BRACKET ASSY.	2	
	8		HEXAGON BOLT & PLAIN WASHER ASSY.	2	M8x16
	9		HEXAGON FLANGE BOLT M8x20	2	
	10		RADIATOR WATER FILLER CAP	1	
	11		RADIATOR WATER VALVE SWITCH	1	

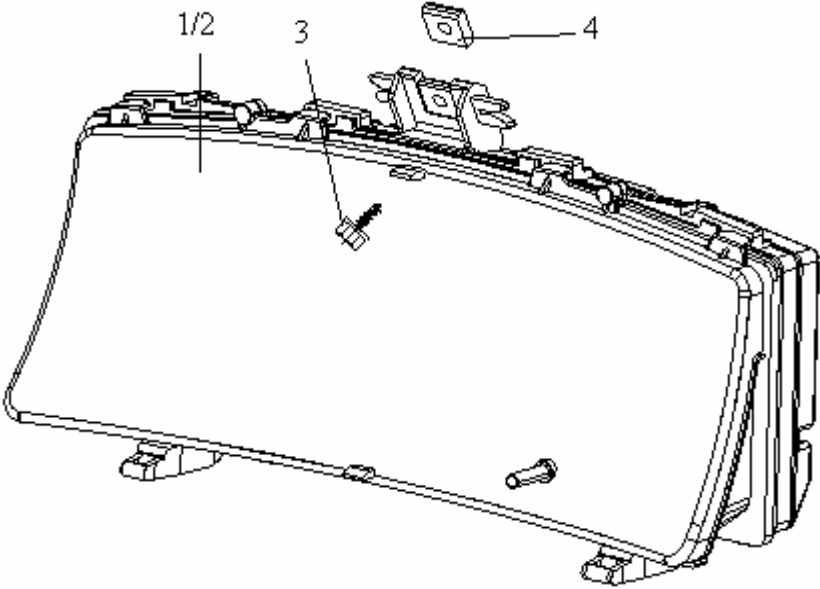
# 6070 EXHAUST SYSTEM

	NO.	PART NO.	DES.	QTY	REMARK
	1	1064000042	FRONT EXHAUST PIPE & TWC ASSY.	1	
	2	1064000046	FRONT EXHAUST PIPE SPRING $\phi 24 \times \phi 3.5 \times 40$	2	
	3	1064000045	FRONT EXHAUST PIPE BOLT M10x1.25x66	2	
	4	1136000134	MUFFLER INLET SEAL GASKET	1	
	5	1064000284	MIDDLE EXHAUST PIPE & FRONT MUFFLER	1	
	6		HEXAGON FLANGE BOLT M12x1.5x45	2	
	7		HEXAGON FLANGE NUT M12x1.5	2	
	8	1064000052	MIDDLE EXHAUST PIPE SEAL GASKET	1	
	9	1064000047	EXHAUST PIPE FRONT LATEX HANG	2	
	10	1064000285	REAR EXHAUST PIPE & MUFFLER ASSY.	1	
	11	1064000050	EXHAUST PIPE REAR RUBBER HANG	2	
	12	1064000051	EXHAUST PIPE BAFFLE PLATE	1	
	13		HEXAGON FLANGE NUT M8	2	
	14	1064000054	FRONT EXHAUST PIPE HEAT INSULATION	2	
	15		HEXAGON NUT & FLOWER TYPE WASHER ASSY.	1	M6
	16	1064000055	MIDDLE EXHAUST PIPE HEAT INSULATION	1	
	17		HEXAGON FLANGE BOLT M12x1.5x45	2	
	18		HEXAGON FLANGE NUT M12x1.5	2	
	19	1064000181	FRONT EXHAUST PIPE AND TWC ASSY.	1	OBD
	1064000053	OXYGEN SENSOR WIRE HARNESS FIXING BRACKET	1		

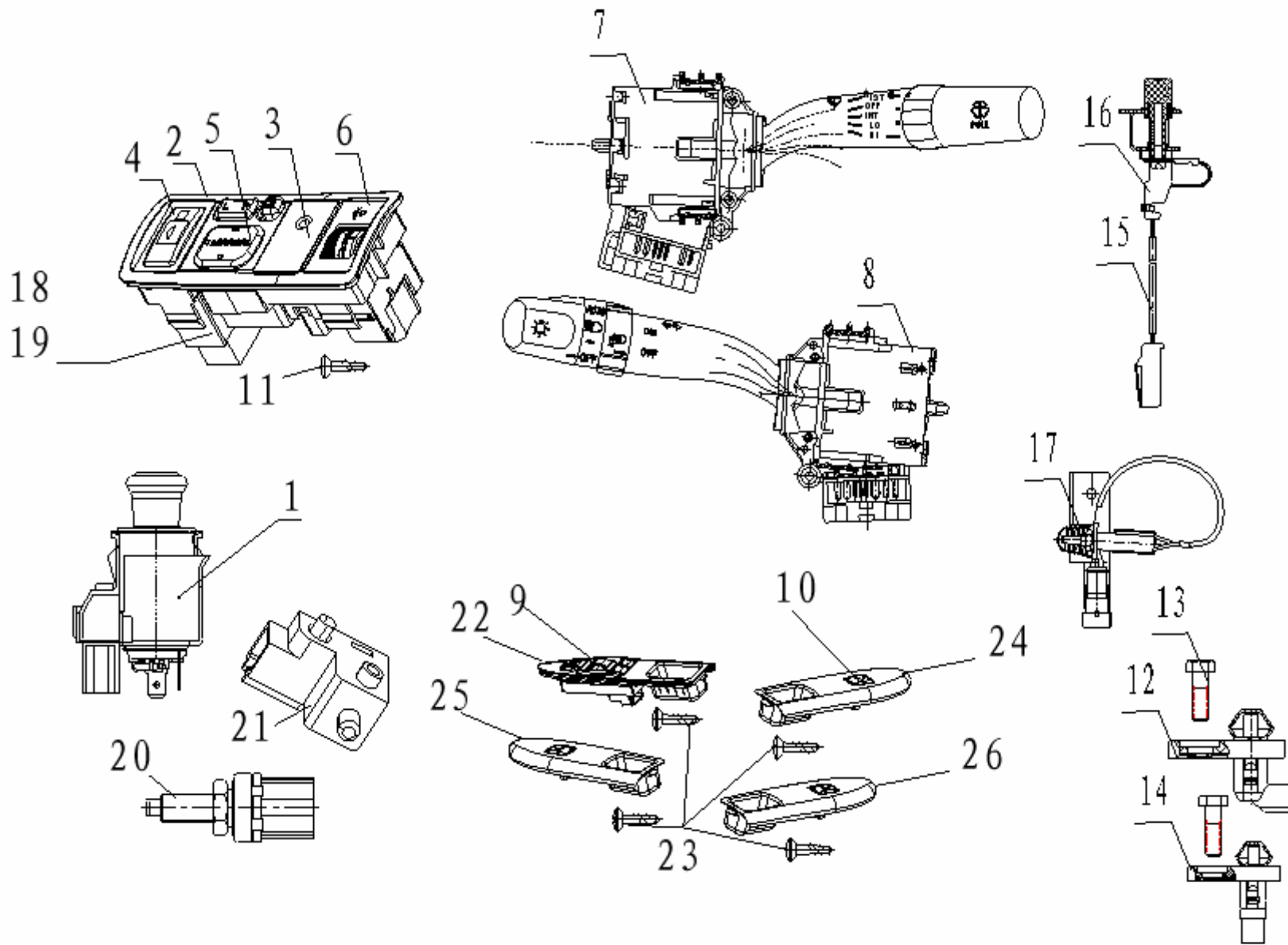
## 6080 CNG ENGINE ASSY.

	NO.	PART NO.	DES.	QTY	REMARK
			4G18 CNG ENGINE ASSY.	1	
	1	1016050022	AIR INTAKE MANIFOLD	1	
	2	1016050024	HEAT WATER PIPE TEE VALVE	1	
	3	1016050023	HEAT WATER PIPE ASSY.	1	
	4	1016050001	THROTTLE ASSY.	1	
	5	1016050002	FUEL RAIL	1	
	6		HEXAGON HEAD BOLT & PLAIN WASHER ASSY.	2	
	7	1016050011	FUEL RAIL BRACKET	1	
	8	1016050016	NOZZLE WINDPIPE 1#	1	
	9	1016050021	NOZZLE WINDPIPE 2#	2	
	10	1016050020	NOZZLE WINDPIPE 3#	1	
	11	Q673B12	METAL STRIP TYPE ELASTIC HOOP	8	
	12	1016050543	ENGINE HOOD FIXING BOLT 1#	2	
	13	1016050544	ENGINE HOOD FIXING BOLT 2#	1	
	14	1016050545	DUAL HEAD BOLT	1	
	15	1017000258	ENGINE WIRING HARNESS ASSY.	1	
	16	1016001319	GAS FILTER	1	
	17	1066001038	OUTLET CLEANER LOW PRESSURE PIPE	1	
	18	Q676B25	TUBE HOOP, "C" TYPE WORM DRIVE	2	
	19	1066001047	INLET REDUCER HEAT WATER PIPE	1	
	20	1066001048	OUTLET REDUCER HEAT WATER PIPE	1	
21			2		

# 7010 COMBINATION METER ASSY.

	NO.	PART NO.	DES.	QTY	REMARK
	1	1067000081	COMBINATION METER ASSY.	1	
	2	1067000082	COMBINATION METER ASSY.(BUSINESS)	1	
	3		CROSS HEAD BOLT & PLAIN WASHER ASSY.	1	ST4.8×16
	4		REED NUT	1	

# 7020 ELECTRICITY SWITCH



## 7020 ELECTRICITY SWITCH

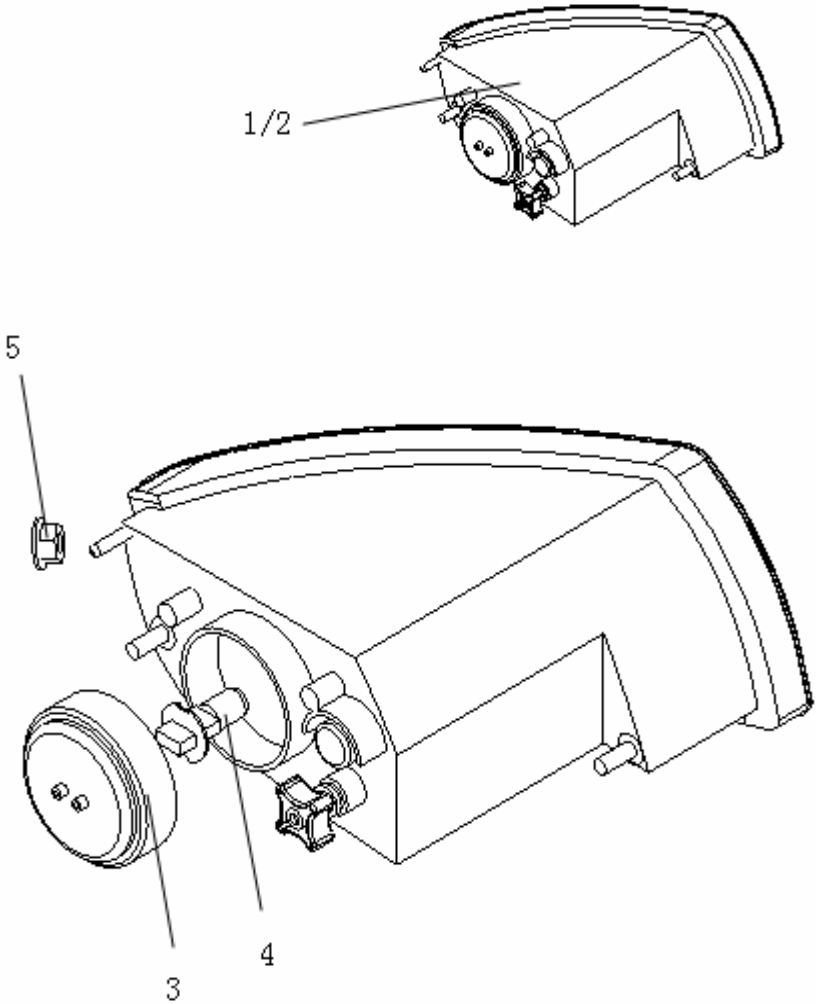
NO.	PART NO.	DES.	QTY	REMARK	NO.	PART NO.	DES.	QTY	REMARK
1	1067000056-01	LIGHTER	1			1068000144	RF DOOR REGULATOR SWITCH & PANEL ASSY.	1	
2		LEFT CONTROL SWITCH TRIM BOARD	1		25	1067000213	LR DOOR CONTROL PANEL ASSY.	1	
3		THEFT-DETERRENT INDICATOR LIGHT	1			1068000176	LR DOOR REGULATOR SWITCH & PANEL ASSY.	1	
4		REAR FOGLIGHT SWITCH	1		26	1067000214	RR DOOR CONTROL PANEL ASSY.	1	
5		POWER REARVIEW MIRROR SWITCH	1			1068000178	RR DOOR REGULATOR SWITCH & PANEL ASSY	1	
6		HIGH BEAM ADJUSTING SWITCH	1			1067001359	DRIVER SEAT HEATING SWITCH	1	
7	1067000079	RIGHT COMBINATION SWITCH ASSY.	1			1017010674	RF SEAT HEATING SWITCH	1	
8	1067000078	LEFT COMBINATION SWITCH ASSY.	1						
9		MAIN GLASS REGULATOR SWITCH	1						
10		GLASS REGULATOR SWITCH	3						
11		CROSS HEAD SELF-TAPPING BOLT	1						
12	1067000075	FRONT DOOR CONTROL SWITCH ASSY.	2						
13		HEXAGON HEAD BOLT & SPRING WASHER ASSY.	5	M6x16					
14	1067000076	REAR DOOR CONTROL SWITCH ASSY.	2						
15	1067000073	TRUNK LAMP SWITCH ASSY.	1						
16		HEXAGON HEAD BOLT & SPRING WASHER ASSY.	1	M5x8					
17	1067000074	ENGINE HOOD CONTROL SWITCH ASSY.	1						
18	106701000300602	COMBINATION METER LEFT SWITCH SET	1	BEIGE					
19	106701000300603	COMBINATION METER LEFT SWITCH SET	1	GRAY					
20	1067000112	BRAKE LAMP SWITCH ASSY.	1						
21		PARKING BRAKE SWITCH ASSY.	1						
22	1068000142	LF DOOR CONTROL PANEL ASSY.	1						
	1067000210	LF DOOR CONTROL SWITCH	1						
23		CROSS HEAD SLOTTED-TAPPING BOLT ST4.2x16	4						
24	1067000211	RF DOOR CONTROL PANEL ASSY.	1						
	1067000212	RF & REAR DOOR CONTROL SWITCH	1						

# 7030 FRONT COMBINATION LAMP ASSY.

	NO.	PART NO.	DES.	QTY	REMARK
	1	1067000102	FL COMBINATION LAMP ASSY (1.8L)	1	
	2	1067000104	FL COMBINATION LAMP ASSY (1.8L)	1	XENON
	3	1067000103	FR COMBINATION LAMP ASSY (1.8L)	1	
	4	1067000105	FR COMBINATION LAMP ASSY (1.8L)	1	XENON
	5	1067002369	FL COMBINATION LAMP ASSY (1.5L)	1	nonadjustable
	6	1067002370	FR COMBINATION LAMP ASSY (1.5L)	1	nonadjustable
	7		DIPPED HEADLIGHT REAR COVER	1	
	8		DIPPED HEADLIGHT BULB	1	12V PY21W
	9		TURN SIGNAL SEAT	1	
	10		TURN SIGNAL BULB	1	12V/55W H1
	11		HEADLIGHTS ON FULL BEAM,REAR COVER	1	
	12		HEADLIGHTS ON FULL BEAM	1	12V W5W
	13		SIDELIGHTS SEAT	1	
	14		SIDELIGHTS BULB	1	12V W5W
	15		XENON LAMP CONTROL MODULE	1	
		SIDELIGHTS BULB			
	15	XENON LAMP CONTROL MODULE			



# 7040 FRONT FOGLIGHT ASSY.

	NO.	PART NO.	DES.	QTY	REMARK
	1	1067000098	LF FOGLIGHT ASSY.	1	
	2	1067000099	RF FOGLIGHT ASSY.	1	
	3		FRONT FOGLIGHT REAR COVER	1	
	4		FRONT FOGLIGHT BULB	1	12V/55W H3
	5		HEXAGON FLANGE NUT M6	4	

# 7050 REAR FOGLIGHT ASSY.

	NO.	PART NO.	DES.	QTY	REMARK
	1	1067000100	RL FOGLIGHT ASSY.	1	
	2	1067000101	RR FOGLIGHT ASSY.	1	
	3		REAR FOGLIGHT BULB	2	12V P21W
	4		REAR FOGLIGHT REAR COVER	2	
	5		CROSS HEAD BOLT ST4.2x16	6	
	6		CROSS HEAD BOLT ST4.8x16	2	

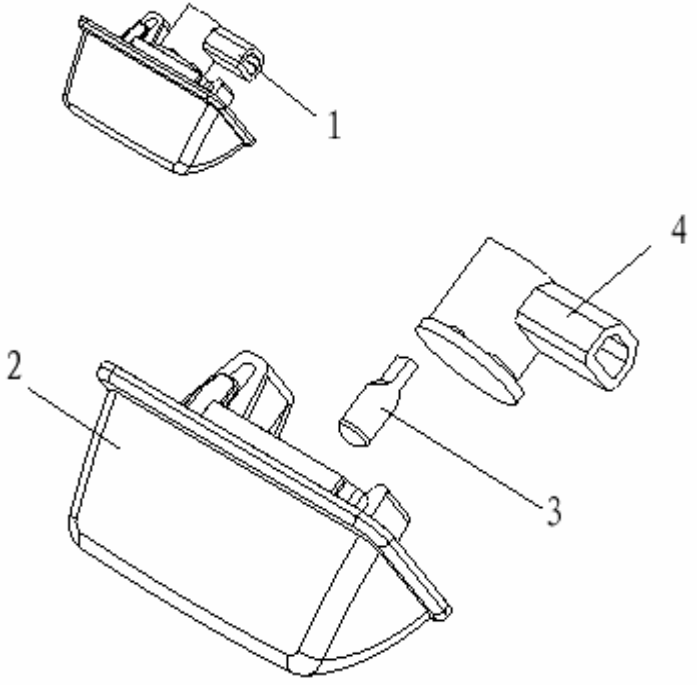
# 7060 INTERIOR DOME LAMP

	NO.	PART NO.	DES.	QTY	REMARK
	1	1067010005	INTERIOR DOME FRONT LAMP ASSY.	1	
	2	106701000700602	INTERIOR DOME FRONT LAMP ASSY.	1	SUNROOF
	3		CROSS HRAD SLOTTED-TAPPING BOLT M5x20	2	
	4	1067010006	INTERIOR DOME REAR LAMP ASSY.	1	
	5		CROSS HEAD BOLT M5x16	4	
	6		DOME FRONT LAMP COVER	1	
	7		DOME FRONT LAMP BULB	1	12V R5W
	8		DOME FRONT LAMP SEAT 10	1	
	9		DOME REAR LAMP COVER	1	
	10		DOME REAR LAMP BULB 12	1	12V C5W

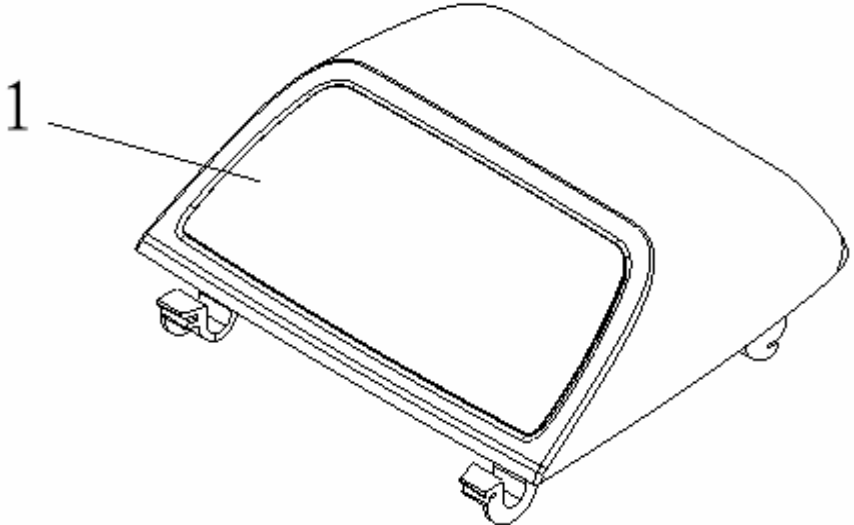
## 7070 REAR COMBINATION LAMP ASSY.

	NO.	PART NO.	DES.	QTY	REMARK
	1	1067000108	LR COMBINATION LAMP ASSY.	1	
	2		LR COMBINATION LAMP ASSY.	1	LED BULB
	3	1067000109	RR COMBINATION LAMP ASSY.	1	
	4		RR COMBINATION LAMP ASSY.	1	LED BULB
	5		HEXAGON FLANGE NUT M5	4	
	6		BACKUP LIGHT SEAT	1	
	7		BACKUP LIGHT BULB	1	12V P21W
	8		BRAKE SIDELIGHTS SEAT	1	
	9		BRAKE SIDELIGHTS SEAT	1	12V P21/5W
	10		TURN SIGNAL LAMP SEAT	1	
	11		TURN SIGNAL LAMP SEAT	1	12V PH21W

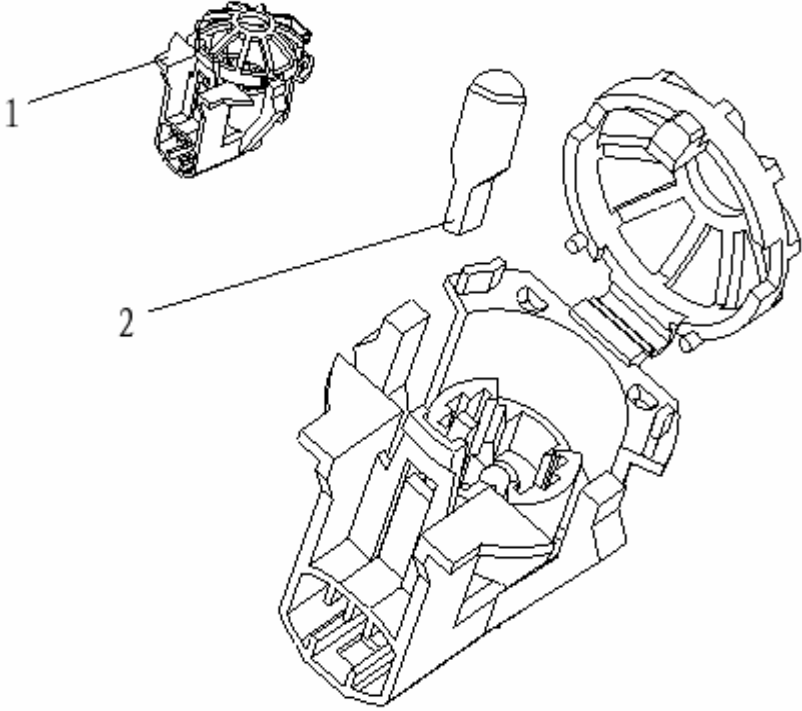
# 7080 LICENSE PLATE LAMP

	NO.	PART NO.	DES.	QTY	REMARK
	1	1067000097	LICENSE PLATE LAMP ASSY.	2	
	2		LICENSE PLATE LAMP CHIMNEY	2	
	3		LICENSE PLATE LAMP BULB	2	12V W5W
	4		LICENSE PLATE LAMP HOLDER	2	

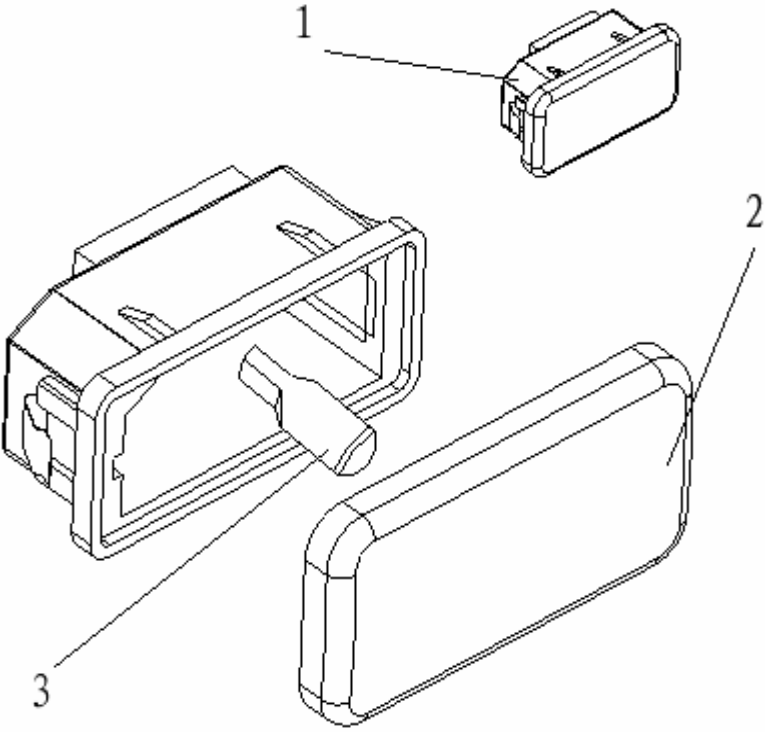
7090 HIGH-MOUNTED BRAKE LAMP ASSY.

	NO.	PART NO.	DES.	QTY	REMARK
	1	1067010008	HIGH-MOUNTED BRAKE LAMP ASSY.	1	

# 7100 TRUNK LAMP ASSY.

	NO.	PART NO.	DES.	QTY	REMARK
	1	1067000106	TRUNK LAMP ASSY.	1	
	2		TRUNK LAMP BULB	2	

# 7110 DOOR LAMP ASSY.

	NO.	PART NO.	DES.	QTY	REMARK
	1	1067000107	DOOR LAMP ASSY.	2	
	2		DOOR LAMP BULB	1	12V W5W
	3		DOOR LAMP CHIMNEY	1	



# 7120 WIPER ASSY.

	NO.	PART NO.	DES.	QTY	REMARK
	1	1068000053	WIPER & MOTOR ASSY.	1	
	2	1068000054	LEFT DAMPING WASHER (BIG)	1	
	3	1068000055	RIGHT DAMPING WASHER (SMALL)	1	
	4		HEXAGON HEAD BOLT & PLAIN WASHER ASSY.	2	M6x30
	5	1068000057	MASTER WIPER ARM ASSY.	1	
	6	1068000056	NUT COVER	2	
	7	1068000058	MASTER WIPER BLADE ASSY.	1	
	8	1068000059	SECOND WIPER ARM ASSY.	1	
	9	1068000060	SECOND WIPER BLADE ASSY.	1	
		1068000057-01	MASTER WIPER ARM & BLADE ASSY.	1	
		1068000059-01	SECOND WIPER ARM & BLADE ASSY.	1	
10		WIPER MOTOR	1		
11		WIPER CONNECTING ROD	1		

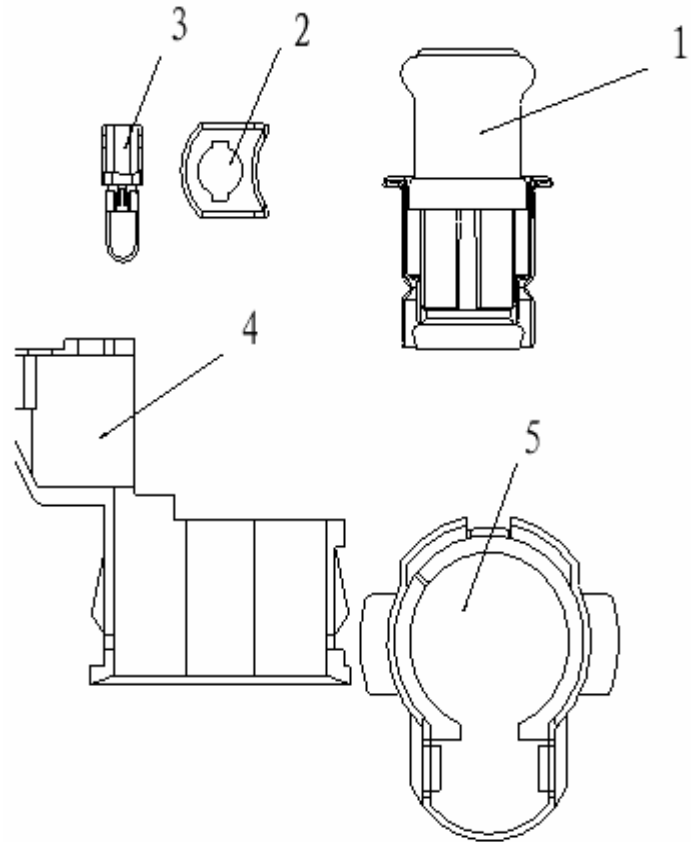
# 7130 WASHER ASSY.

	NO.	PART NO.	DES.	QTY	REMARK
	1	1067000114	WASHER RESERVOIR WITH MOTOR ASSY.	1	
	2	1067000115	HOSE WITH CONNECTING ASSY.	1	
	3		WASHER HOSE PLASTIC CLIP	2	
	4	1067000117	WASHER NOZZLE ASSY.	2	
	5		HEXAGON HEAD BOLT & PLAIN WASHER ASSY.	3	M6x20
	6		WIRING HARNESS FIXING CLIP	1	
	7		WASHER RESERVOIR	1	
	8		WASHER RESERVOIR MOTOR	1	

# 7140 SOUNDER SYSTEM

	NO.	PART NO.	DES.	QTY	REMARK
	1		CROSS SLOTTED HEXAGON HEAD SLEF-TAPPING BOLT	2	ST4.8×9.5
	2	1067000126	SINGLE CD-ROM ASSY.	1	
		1067000234-01	SINGLE CD-ROM + USB + SD ASSY.		
	3		HEXAGON HEAD BOLT & PLAIN WASHER ASSY.	2	M6x16
	4	1067000223	DVD-ROM + GPS ASSY.	1	
	5	1067000127	FRONT DOOR SPEAKER ASSY.	2	
	6		HATCH TYPE ROUND HEAD RIVET	6	
	7	1067000128	PLASTIC PLAIN WASHER	6	
	8	1067000129	LF SMALL SPEAKER COVER	1	
	9	1067000130	RF SMALL SPEAKER COVER	1	
	10	1067000133	REAR LOUDHAILER ASSY.	2	
	11		HEXAGON HEAD BOLT & PLAIN WASHER ASSY.	8	
	12	7903010185	ANTENNA ASSY.	1	
	1067000181	ANTENNA WIRING HARNESS	1		
13	1067000137	ANTENNA WIRING HARNESS ASSY.	1		

# 7150 LIGHTER ASSY.



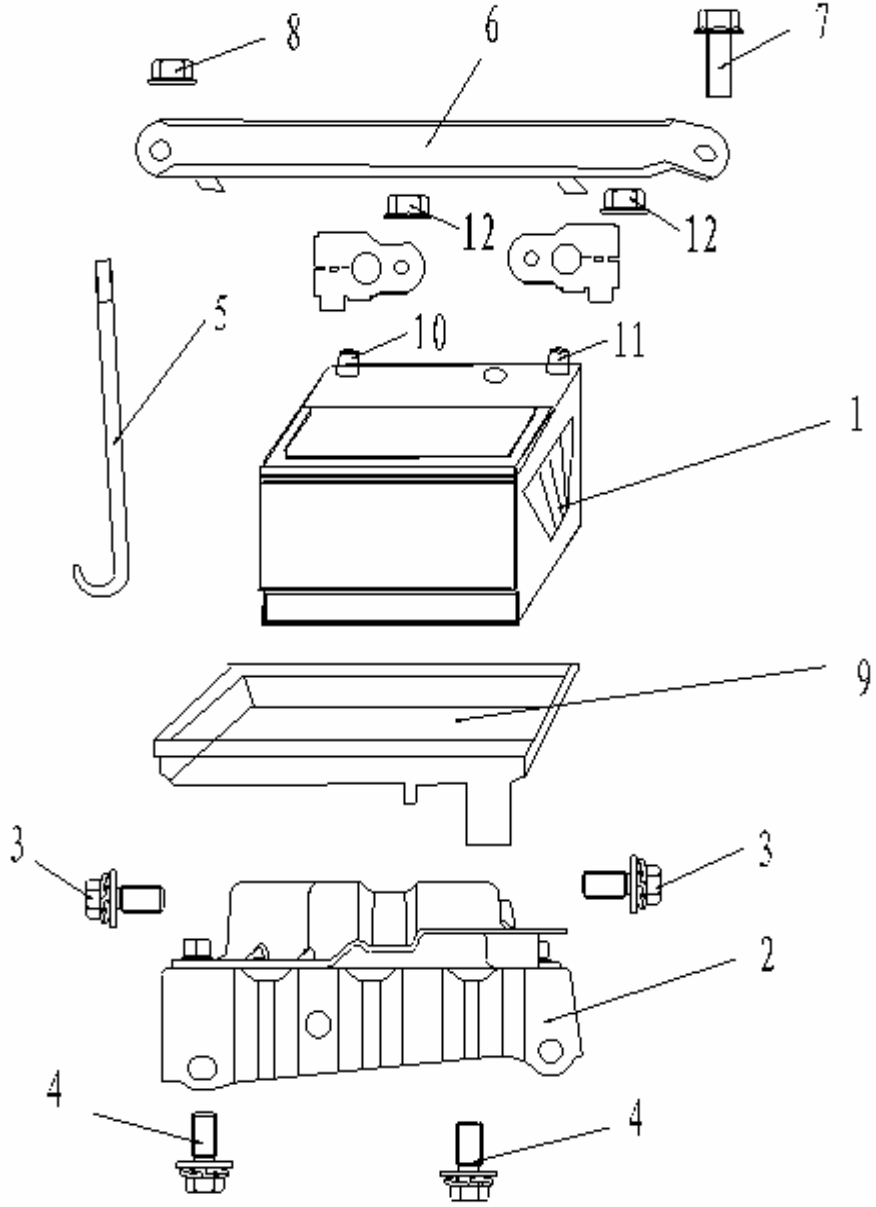
NO.	PART NO.	DES.	QTY	REMARK
1	1067000056-01	LIGHTER ASSY.	1	
2		LIGHTER LAMP HOLDER	1	
3		LIGHTER LAMP	1	
4	1067000057	LIGHTER INNER BOOT ASSY.	1	
5	1067000058	LIGHTER OUTER BOOT ASSY.	1	

# 7160 HORN ASSY.

	NO.	PART NO.	DES.	QTY	REMARK
	1	1067000045	SACKBUT ASSY.	1	
	2	1067000216	ALT HORN ASSY.	1	
	3		HEXAGON HEAD BOLT & SPRING WASHER ASSY.	2	M8×14

# 7170 BATTERY & BRACKET ASSY.

NO.	PART NO.	DES.	QTY	REMARK
1	1067000038	BATTERY ASSY.	1	
2	1067000043	MOUNTING SEAT ASSY.	1	
3		HEXAGON HEAD BOLT & PLAIN WASHER ASSY.	2	M8x20
4		HEXAGON HEAD BOLT & PLAIN WASHER ASSY.	2	M6x12
5	1067000039	FIXING PULL ROD	1	
6	1067000044	PRESSURE PLATE ASSY.	1	
7		HEXAGON HEAD BOLT & PLAIN WASHER ASSY.	1	M6x16
8		HEXAGON FLANG NUT M6	1	
9	1067000040	SALVER	1	
10	1067000041	ANODE CONNECTION SEAT	1	
11	1067000042	CATHODE CONNECTION SEAT	1	
12		HEXAGON FLANGE NUT M8	2	



# 7180 SRS ASSY.

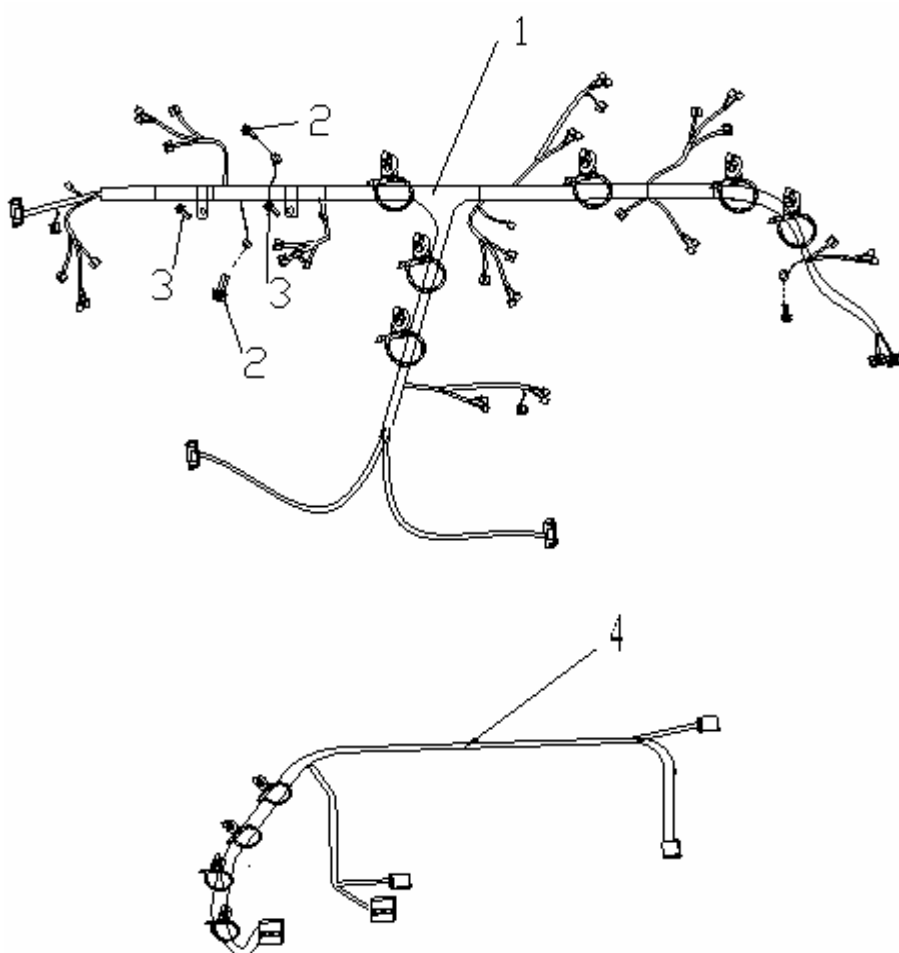
	NO.	PART NO.	DES.	QTY	REMARK
	1	1067000037	SRS CONTROL ASSY.	1	
	2		HEXAGON HEAD BOLT & PLAIN WASHER ASSY.	3	M8x25
	3	1067010011	DAB ASSY.	1	
	4	1067010012	PAB ASSY.	1	
	5	1067000121	CLOCK SPRING ASSY.	1	SRS

# 7190 ENGINE COMPARTMENT WIRING HARNESS ASSY.

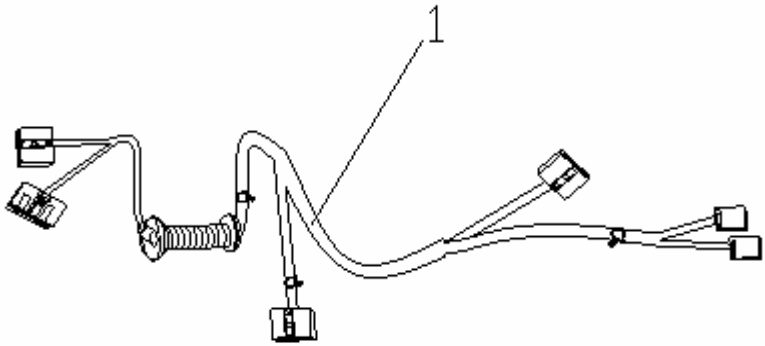
	NO.	PART NO.	DES.	QTY	REMARK
	1	1067000083	ENGINE COMPARTMENT WIRING HARNESS ASSY.	1	
		1067000215	ENGINE COMPARTMENT WIRING HARNESS ASSY.	1	WITH RELAY
	2		HEXAGON HEAD BOLT & SPRING WASHER ASSY.	5	
	3		HEXAGON HEAD BOLT & PLAIN WASHER ASSY.	2	M6x19
	4	1067000091	GROUND WIRE ASSY.	1	
	5		HEXAGON HEAD BOLT & PLAIN WASHER ASSY.	1	M8x20
6	1067000085	ENGINE WIRING HARNESS FIXING BRACKET	1		



# 7200 INSTRUMENT PANEL WIRING HARNESS ASSY.

	NO.	PART NO.	DES.	QTY	REMARK
	1	1067000087	INSTRUMENT PANEL WIRING HARNESS ASSY.	1	
	2		HEXAGON HEAD BOLT & SPRING WASHER ASSY.	2	EARTH
	3		CROSS HEXAGON HEAD BOLT & WASHER ASSY.	2	M6x20
	4		SUNROOF LAMP WIRING HARNESS ASSY.	1	
		1067000095	INTERIOR DOME LAMP WIRING HARNESS ASSY.		

# 7210 DOOR WIRING HARNESS ASSY.

	NO.	PART NO.	DES.	QTY	REMARK
	1	1067000088	LF DOOR WIRING HARNESS ASSY.	1	
		1067000089	RF DOOR WIRING HARNESS ASSY.	1	
		1067000090	REAR DOOR WIRING HARNESS ASSY.	1	

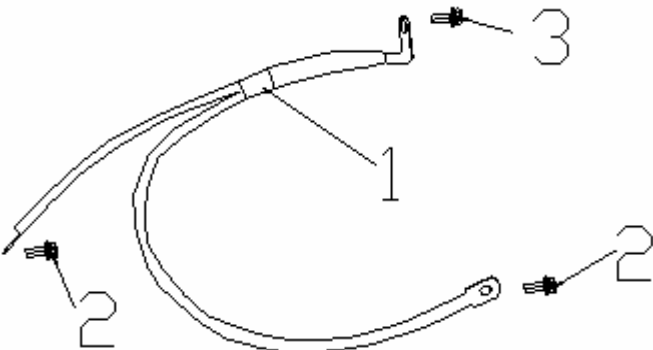
# 7220 REAR WIRING HARNESS ASSY.

	NO.	PART NO.	DES.	QTY	REMARK
	1	1067000086	FLOOR WIRING HARNESS ASSY.	1	
	2		HEXAGON HEAD BOLT & SPRING WASHER ASSY.	3	
	3		WIRING HARNESS FIXING CLIP	1	
	4	1067000093	REAR DEFROST GROUND WIRE ASSY.	1	

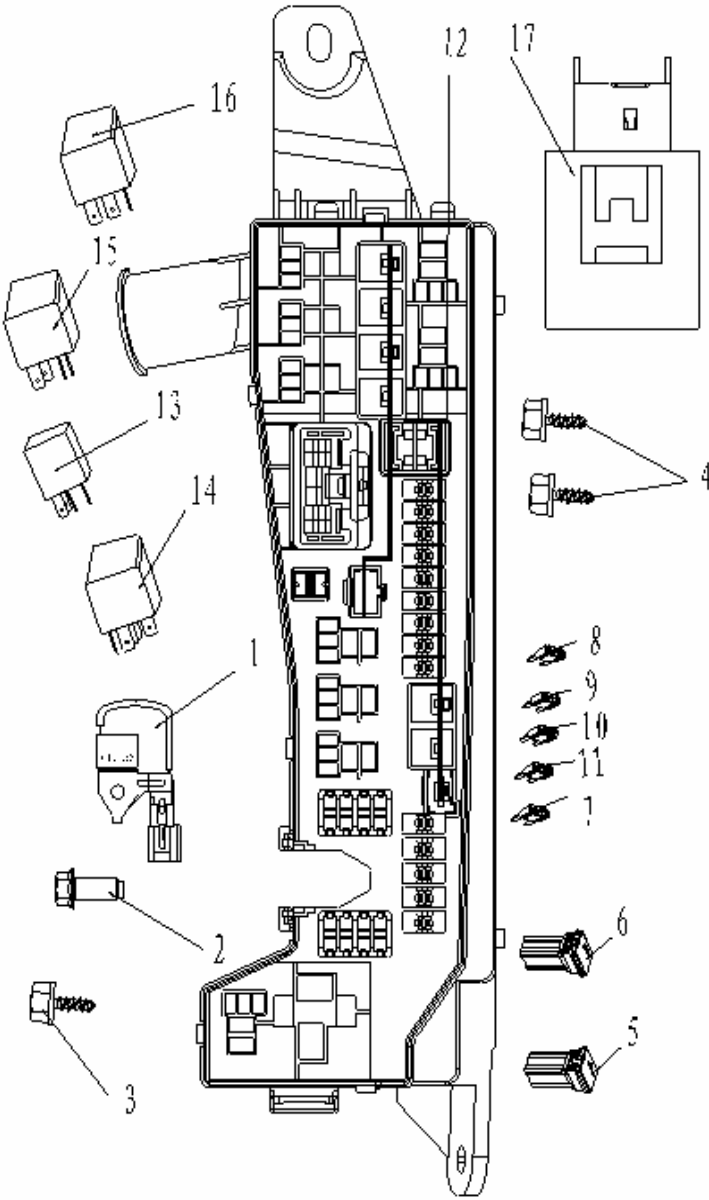
# 7230 ABS SYSTEM

	NO.	PART NO.	DES.	QTY	REMARK
	1	1067000020	LF WHEEL SPEED SENSOR ASSY.	1	
	2	1067000021	LF WHEEL SPEED SENSOR UPPER BRACKET	1	
	3	1067000022	LF WHEEL SPEED SENSOR LOWER BRACKET	1	
	4		HEXAGON HEAD BOLT & PLAIN WASHER ASSY.	14	M6x16
	5	1067000016	RF WHEEL SPEED SENSOR	1	
	6	1067000017	FR WHEEL SPEED SENSOR UPPER BRACKET	1	
	7	1067000018	FR WHEEL SPEED SENSOR LOWER BRACKET	1	
	8	1067000019	WHEEL SPEED SENSOR PLASTIC CLIP	4	
	9	1067000023	REAR WHEEL SPEED SENSOR	2	
	10	1067000024	REAR WHEEL SPEED SENSOR LEFT UPPER BRACKET	1	
	11	1067000025	REAR WHEEL SPEED SENSOR RIGHT UPPER BRACKET	1	
	12	1067000026	REAR WHEEL SPEED SENSOR LEFT CENTER BRACKET	1	
	13	1067000027	REAR WHEEL SPEED SENSOR RIGHT CENTER BRACKET	1	
	14	1067000028	REAR WHEEL SPEED SENSOR LOWER BRACKET	2	
	15	1067000029	REAR WHEEL SPEED SENSOR LOWER PLASTIC CLIP	2	I
	16	1067000030	REAR WHEEL SPEED SENSOR LOWER PLASTIC CLIP	2	II
		1067000014	ABS MODULE & PUMP ASSY.	1	HECU
		1067000031	ABS MODULE MOUNTING BRACKET ASSY.	1	

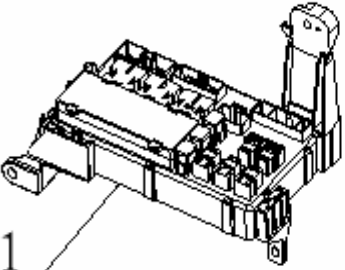
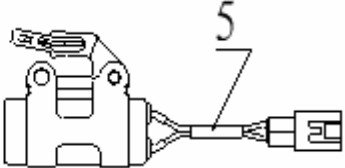
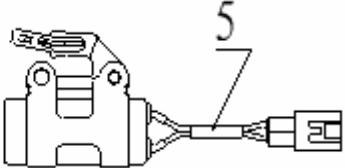
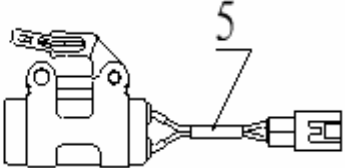
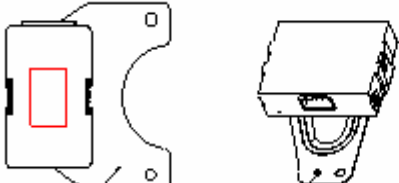
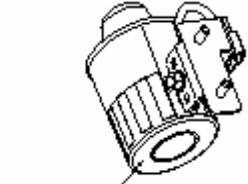
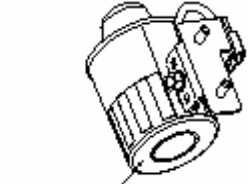
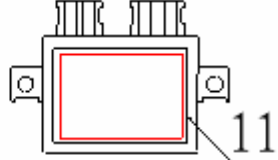
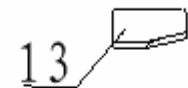
# 7240 STARTER WIRE ASSY.

	NO.	PART NO.	DES.	QTY	REMARK
	1	1067000091	GROUND WIRE ASSY.	1	
		1067000092	SECOND GROUND WIRE ASSY.	1	
	2		HEXAGON HEAD BOLT & SPRING WASHER ASSY.	2	M6x16
	3		HEXAGON HEAD BOLT & PLAIN WASHER ASSY.	1	M8x20

# 7250 FUSE BOX

	NO.	PART NO.	DES.	QTY	REMARK
	1	1067000047	REAR DEFROSTER ASSY.	1	
	2		HEXAGON HEAD BOLT & PLAIN WASHER ASSY.	1	M6x16
	3		CROSS HEXAGON HEAD BOLT & WASHER ASSY.	1	BLACK
	4		CROSS HEXAGON HEAD BOLT & WASHER ASSY.	2	ST4.8X16
	5	1067000050	SLOW FUSE 30A	2	PINK
	6	1067000049	SLOW FUSE 40A	1	GREEN
	7	1067000051	MINI FUSE 30A	1	GREEN
	8	1067000052	MINI FUSE 25A	5	CLARITY
	9	1067000053	MINI FUSE 15A	9	BLUE
	10	1067000054	MINI FUSE 10A	7	RAD
	11	1067000055	MINI FUSE 7.5A	2	COFFEE
	12		ENGINE COMPARTMENT RELAY & FUSE BOX	1	
	13	1067000059	MINI RELAY	10	
	14	1067000060	HEATER RELAY	1	
	15	1067000061	CURRENCY RELAY	2	
	16	1067000065	STARTER RELAY	1	
	17	1067000077	FLASH ASSY.	1	
	1067000072	FAN RELAY	1		
	1067000084	HEADLIGHT RELAY BOX BRACKET	1		
	1067001222	MASTER ELECTRIC FUSE 100A	1		

# 7260 BODY ELECTRIC CONTROL

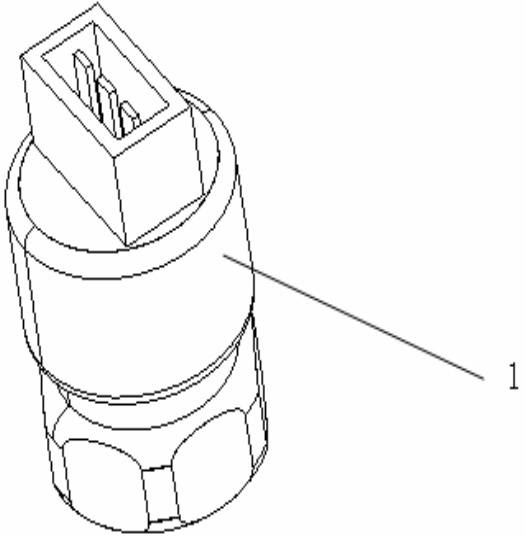
	NO.	PART NO.	DES.	QTY	REMARK
	1	1067000048	CENTER ELECTRIC BOX ASSY.	1	
		1067010046	CENTER ELECTRIC BOX ASSY.	1	WITH RELAY/FUS
	2	1067000035	CENTER CONTROL LIGHT UNIT & BRACKET ASSY.	1	DJ
		1067000176	CENTER CONTROL LIGHT UNIT & BRACKET ASSY.	1	AZ
	3		HEXAGON FLANGE BOLT M8x16	2	
		1067000036	HEADLIGHT CIRCUMSTANCE LIGHT SENSOR	1	
	5	1067000001	COOLING FAN ADJUSTABLE RESISTANCE ASSY.	1	
			HEXAGON FLANGE BOLT & SPRING WASHER ASSY.	2	M6x16
	7	1067000006	REMOTE CONTROL THEFT-DETERRENT CONTROL	1	DJ
		1067000170	REMOTE CONTROL THEFT-DETERRENT CONTROL & BRACKET	1	AZ
	8		HEXAGON HEAD BOLT & PLAIN WASHER ASSY.	4	M6x16
		1067000007	REMOTE CONTROL THEFT-DETERRENT HORN	1	DJ
	9	1067000173	REMOTE CONTROL THEFT-DETERRENT HORN	1	AZ
			HEXAGON NUT & BIG PLAIN WASHER ASSY. M6	2	
	11	1067000008	ELECTRON THEFT-DETERRENT CONTROL ASSY.	1	
		1067000009	ELECTRON THEFT-DETERRENT COIL ASSY.	1	
	12			3	
			TRANSMIT UNIT		

# 7270 PARKING SENSOR

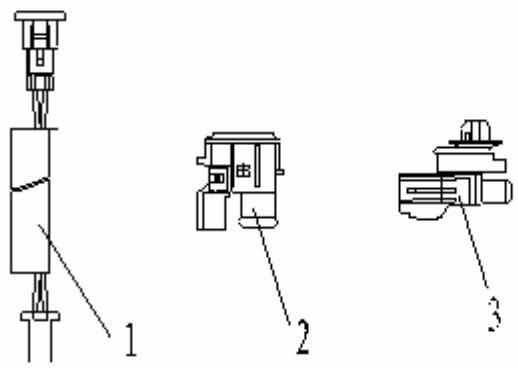
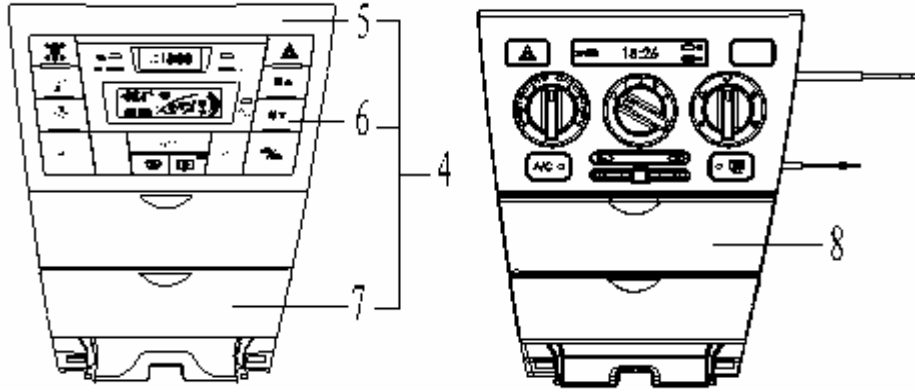
	NO.	PART NO.	DES.	QTY	REMARK
	1	1067000004	PARKING SENSOR ASSY.(JZ)	6	
		1067000192	PARKING SENSOR ASSY.(HE)	6	
		1067000196	PARKING SENSOR ASSY.(HH)	6	
	2	1067000003	PARKING SENSOR FIXING CLIP(JZ)	6	
		1067000167	PARKING SENSOR FIXING CLIP(HZ)	6	
		1067000195	PARKING SENSOR FIXING CLIP(HH)	6	
	3	1067000002	PARKING SENSOR CONTROL & BRACKET ASSY.(JZ)	1	
		1067000197	PARKING SENSOR CONTROL & BRACKET ASSY.(LZ)	1	LUXURY
		1067000194	PARKING SENSOR CONTROL & BRACKET ASSY.(HH)	1	
	4		CROSS HEAD BOLT & PLAIN WASHER ASSY.	1	
		1067000094	PARKING SENSOR WIRE HARNESS ASSY.	1	



# 7280 SPEED SENSOR ASSY.

	NO.	PART NO.	DES.	QTY	REMARK
	1	1700201180	SPEED SENSOR ASSY.	1	

# 7290 CONTROL SYSTEM ASSY.

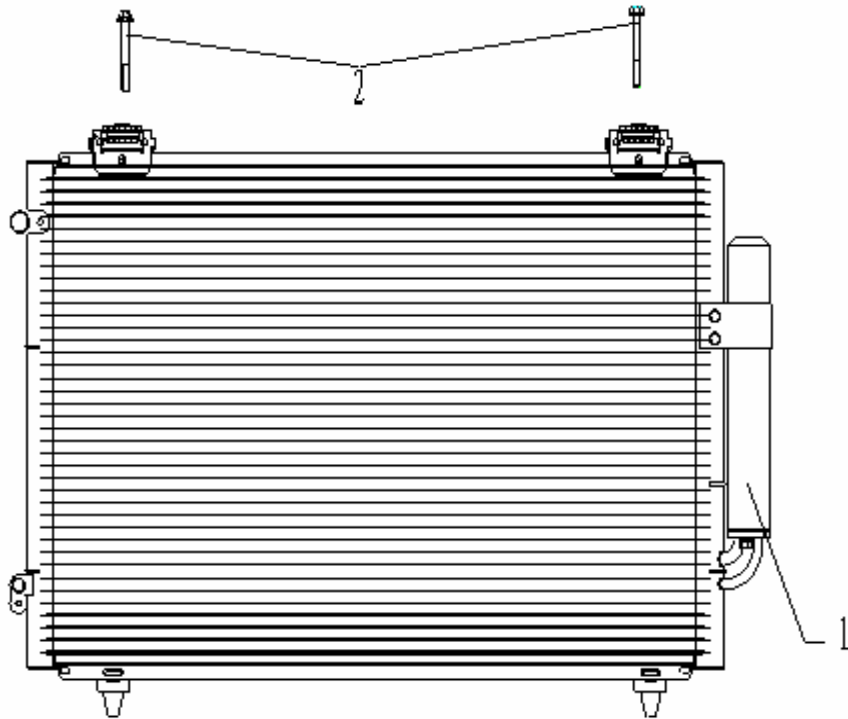


NO.	PART NO.	DES.	QTY	REMARK
1	1067000032	A/C SUN SENSOR ASSY.	1	
2	1067000033	ROOM TEMPERATURE SENSOR ASSY.	1	
3	1067000034	EXTERIOR ROOM SENSOR ASSY.	1	
4	1067000148	A/C CONTROL PANEL ASSY.(CL)	1	
	1067000188	A/C CONTROL PANEL ASSY.(YX)	1	
5	1067000231	AUTO A/C PANEL OUTER FRAME ASSY.	1	
6	1067000230	AUTO A/C CONTROL	1	
7	1061001252	FRONT ASHTRAY	1	
8	1067000202	MANUAL A/C CONTROL PANEL ASSY.	1	

# 7330 A/C PIPELINE SYSTEM

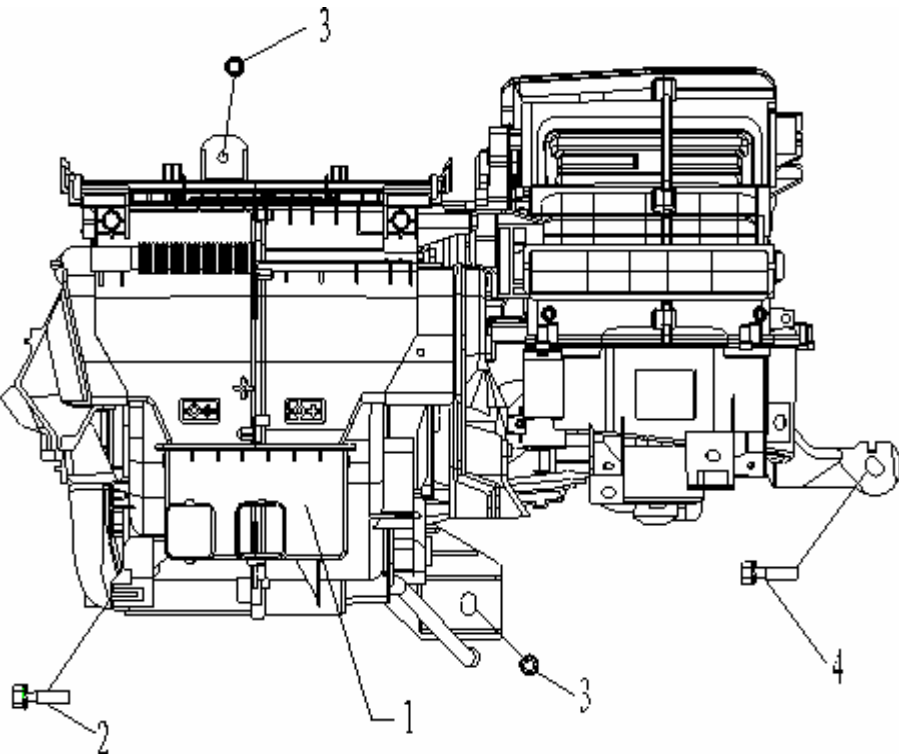
	NO.	PART NO.	DES.	QTY	REMARK
	1	1136000144	WATER OUTLET HOSE	1	
	2		METAL STRIP TYPE HOOP φ18	2	
	3	1067000183	LOW-PRESSURE PIPE ASSY.(CH)	1	
		1067000142	LOW-PRESSURE PIPE ASSY.(AT)	1	
	4		HEXAGON FLANGE BOLT M6x25	4	
	5		HEXAGON FLANGE NUT M6	2	
	6		HEXAGON FLANGE BOLT & WASHER ASSY.	4	M6x12
	7	1067000146	LOW-PRESSURE HOSE REAR BRACKET ASSY.	1	
	8	1067000143	HIGH-PRESSURE PIPE ASSY.(AT)	1	
		1067000184	HIGH-PRESSURE PIPE ASSY.(CH)	1	
	9	1067000147	HIGH-PRESSURE PIPE BRACKET ASSY.	1	
	10	1067000145	LOW-PRESSURE PIPE FRONT BRACKET ASSY.	1	
	11	1067000144	HIGH-PRESSURE PIPE ASSY.	1	
12		"O" TYPE SEAL WASHER φ10.8×2.4	4	ONLY CH	
13		"O" TYPE SEAL WASHER φ13.8×2.4	2	ONLY CH	

# 7300 CONDENSER ASSY.



NO.	PART NO.	DES.	QTY	REMARK
1	1067000139	CONDENSER ASSY.	1	
2		HEXAGON FLANGE BOLT M8x25	2	

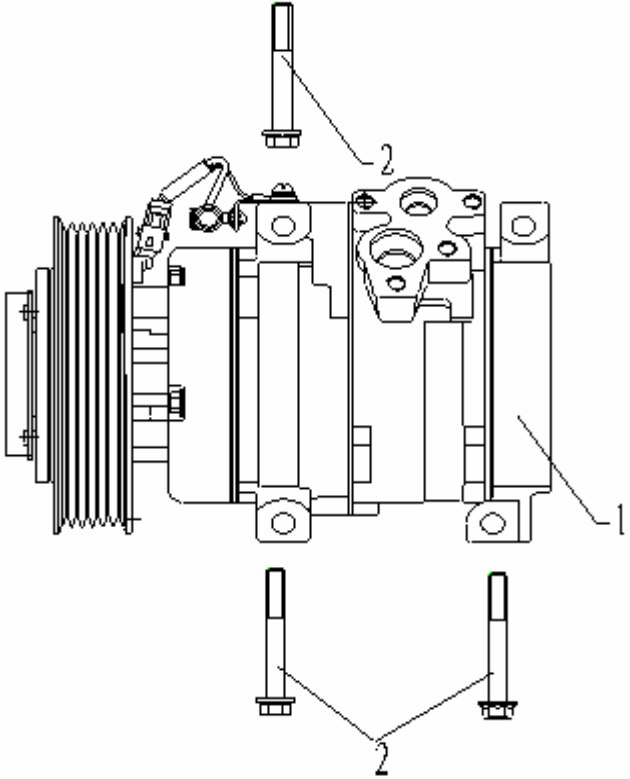
# 7310 HVAC ASSY.

	NO.	PART NO.	DES.	QTY	REMARK
	1	1067000141	HVAC ASSY.	1	CHAO LI
		1067000189	HVAC ASSY.	1	YU XIN
		1067000202	MANUAL-HVAC ASSY.	1	
	2		CROSS HEXAGON HEAD BOLT & WASHER ASSY.	1	ST6.3X19
3		HEXAGON NUT & WASHER ASSY.	2	M6	
4		HEXAGON HEAD BOLT & PLAIN WASHER ASSY.	1	M6x20	

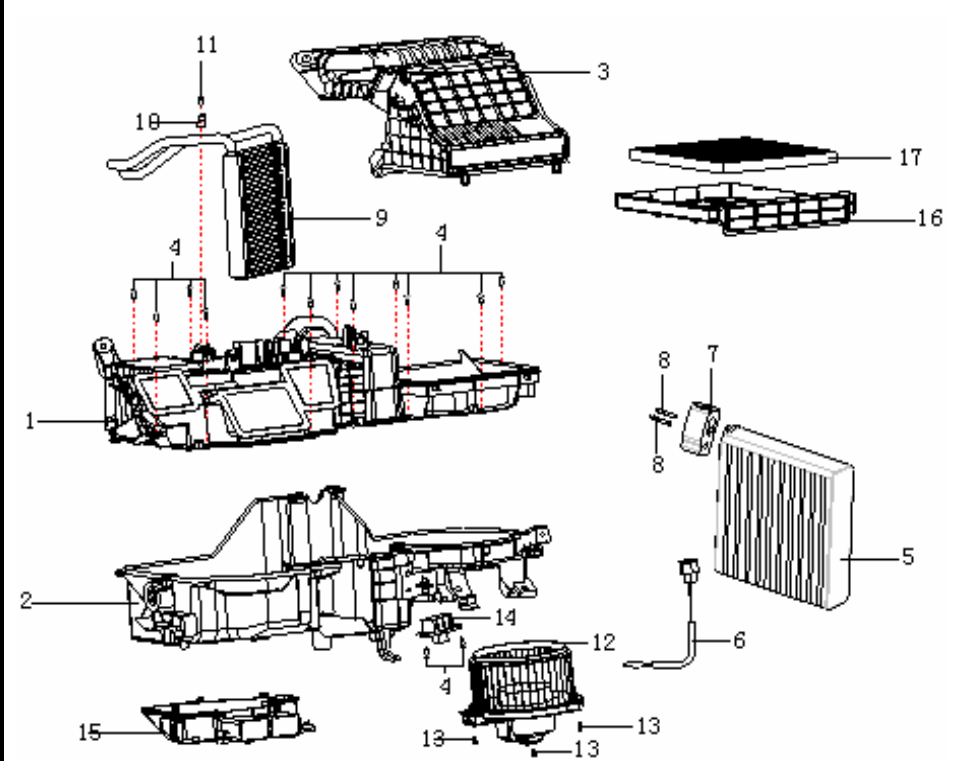
# 7320 A/C VENT PIPE ASSY.

	NO.	PART NO.	DES.	QTY	REMARK
	1	1067000149	EVAPORATOR VENT PIPE ASSY.	1	
	2	1068000079	LOWER INSTRUMENT PANEL CLIP	4	
	3	1067000154	EVAPORATOR CONNECTING PIPE	1	
	4		HEXAGON NUT & PLAIN WASHER ASSY. M6	3	
	5	1067000150	REAR SEAT LF VENT PIPE	1	
	6	1067000152	REAR SEAT RF VENT PIPE	1	
	7	1067000151	REAR SEAT LR VENT PIPE	1	
	8	1067000153	REAR SEAT RR VENT PIPE	1	

# 7330 COMPRESSOR

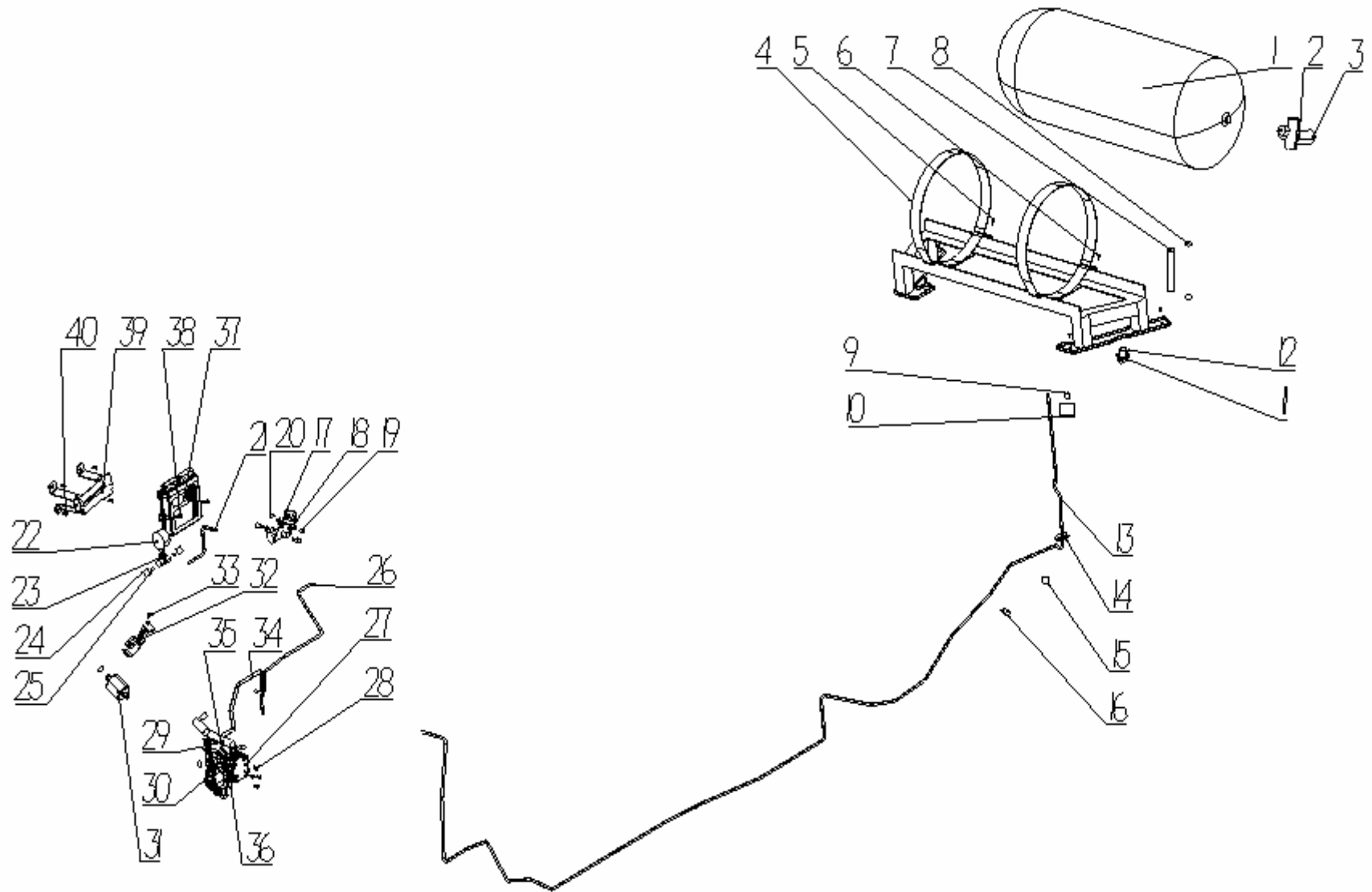
	NO.	PART NO.	DES.	QTY	REMARK
	1	1067000182	COMPRESSOR ASSY.	1	CH
		1067000138	COMPRESSOR ASSY.	1	AT0
	2	Q1840880	HEXAGON FLANGE BOLT	3	CH
			HEXAGON HEAD BOLT AND WASHER ASSY.(M8x100)	3	AT0

# 7340 A/C UNIT

	NO.	PART NO.	DES.	QTY	REMARK
	1		UPPER CASE	1	
	2		LOWER CASE	1	
	3		AIR INLET CASE	1	
	4		CROSS SEMI-COUNTERSUNK TAPPING SCREW	14	ST3.8×16
	5		EVAPORATOR ELEMENT	1	
	6	1061001243	HEAT RESISTANCE	1	
	7	1061001244	EXPANSION VALVE	1	
	8		INNER HEXAGON COLUMN HEAD SCREW	2	M5×35
	9	1061001245	HEATER CORE	1	
	10		HEATER ELEMENT FIXING CLIP	1	
	11		CROSS SEMI-COUNTERSUNK TAPPING SCREW	1	ST3.8×14
	12	1061001238	BLOWER MOTOR	1	
	13		CROSS RECESSED HEXAGON TAPPING SCREW	3	ST5.0×16
	14	1061001239	ADJUSTMENT RESISTOR	1	
	15		REAR AIR OUTLET CASE	1	
	16	1061001246	SCREEN BRACKET & AIR SCREEN	1	



# 7350 CNG SYSTEM



## 7350 CNG SYSTEM

NO.	PART NO.	DES.	QTY	REMARK	NO.	PART NO.	DES.	QTY	REMARK
		CNG SYSTEM	1		26	1066001044	HIGH PRESSURE WIRING HARNESS	1	
1	1066001039	CNG CYLINDER(WITH VALVE)	1		27	1016001316	DECOMPRESSING REGULATOR	1	
2		MANUAL VALVE	1		28	Q1400610	HEXAGON HEAD BOLT & PLAIN WASHER ASSY.	4	
3	1016003155	CNG CYLINDER VALVE NUT	1		29	1066001037	INLET CLEANER LOW PRESSURE PIPE	1	
4	1066001040	CNG CYLINDER WITH BRACKET	1		30	Q676B25	TUBE HOOP,"C"TYPE WORM DRIVE	3	
5		HEXAGON HEAD BOLT & PLAIN WASHER ASSY.	4		31	1016001319	GAS FILTER	1	
6	Q1460820	HEXAGON HEAD BOLT & PLAIN WASHER ASSY.	4		32	1066001113	CNG CLEANER BRACKET	1	
7	1016001327	CORRUGATED PIPE	1		33	Q1460616	HEXAGON HEAD BOLT & PLAIN WASHER ASSY.	1	
8	Q67632	TUBE HOOP,"B"TYPE WORM DRIVE	2		34	1016050012	MAP PIPE	1	
9	1016001309	CONE CLIP	3		35	Q673B10	METAL STRIP TYPE ELASTIC HOOP(φ10)	2	
10	1016001311	CONE CLIP CONNECTING	3		36		TUBE HOOP,"A"TYPE WORM DRIVE	2	
11	1016001308	VENTILATION FLANGE	1		37	1016001208	OMEGAS ECU	1	
12		CROSS SLOTTED HEAD SELF-TAPPING SCREW	2		38		HEXAGON FLANGE BOLT	2	
13	1066001042	HIGH PRESSURE WIRING HARNESS	1		39		OMEGAS ECU BRACKET	1	
14		RUBBER CUSHION	1		40	Q1460616	HEXAGON HEAD BOLT & PLAIN WASHER ASSY.	4	
15	1016003244	SINGLE WAY CLIP	1						
16	1066001114	THREE-WAYS CLIP	1						
17	1016001346	REFUELING VALVE ASSY.	1						
18	1066001045	REFUELING VALVE BRACKET	1						
19	Q1400610	HEXAGON HEAD BOLT & PLAIN WASHER ASSY.	2						
20	Q1460616	HEXAGON HEAD BOLT & PLAIN WASHER ASSY.	2						
21	1066001043	HIGH PRESSURE WIRING HARNESS	1						
22	1016001364	MANOMETER	1						
23	1016001365	MANOMETER TEE VALVE	1						
24	1016001392	DUAL CONE CLIP CONNECTING	3						
25	1016001393	DUAL CONE CLIP	1						

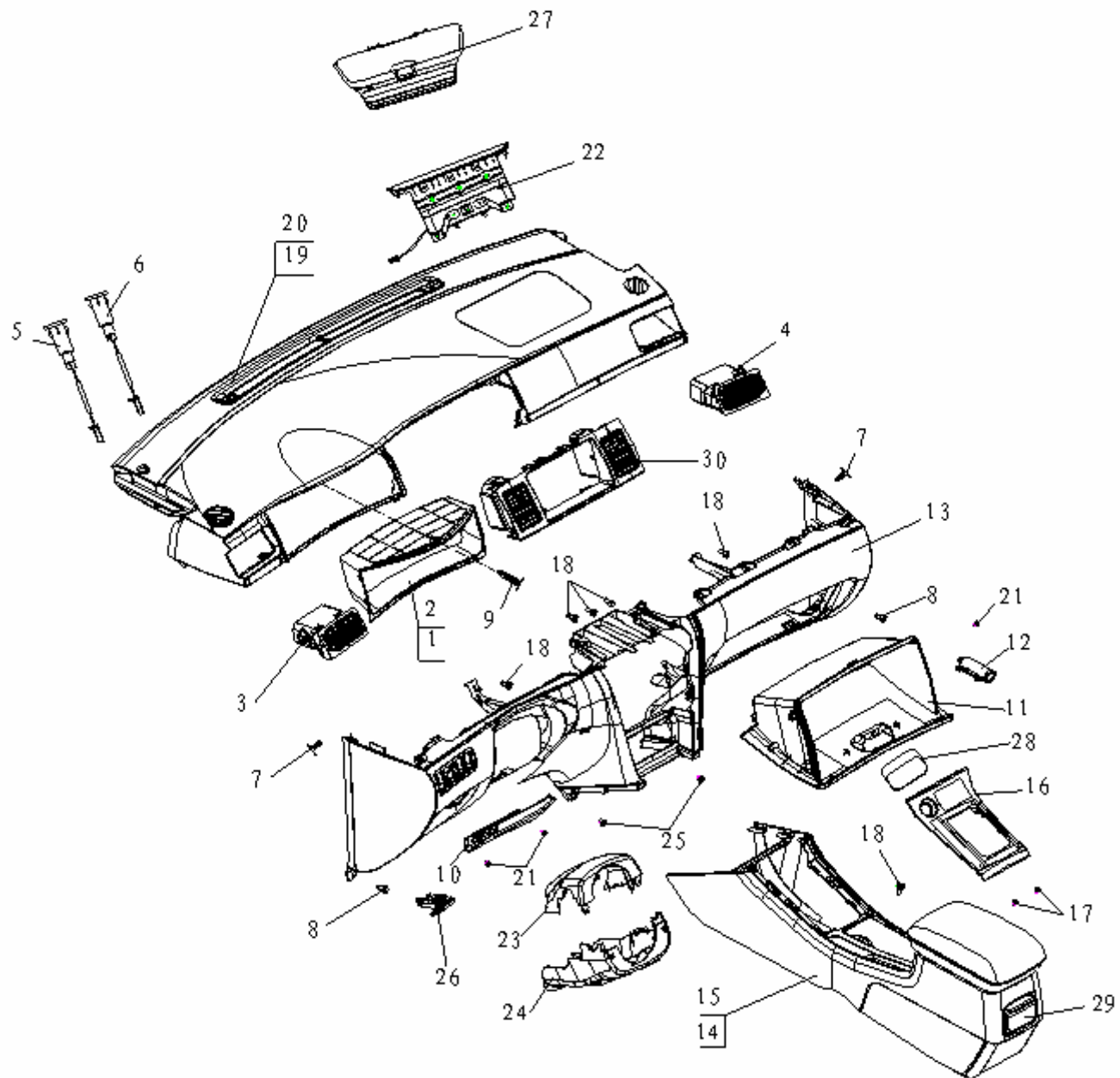
# 8010 TOOL & ACCESSORY

	NO.	PART NO.	DES.	QTY	REMARK
	1	1061000023	JACK ASSY.	1	
	2	1061000024	JACK ROCKER	1	
	3	1061000025	REPAIR KIT	1	
	4	1061000026	TRIANGLE WARNING PLATE ASSY.	1	
	5		FRONT TOW HOOK ASSY.	1	
	6		HEXAGON HEAD BOLT & PLAIN WASHER ASSY.	2	M10x1.25x18
	7	1064000086	REAR TOW HOOK	1	
	8		HEXAGON HEAD BOLT & PLAIN WASHER ASSY.	2	M12x1.25x30

## 8020 FLOOR TRIM & ACCESSORY

	NO.	PART NO.	DES.	QTY	REMARK
	1	1068010001	FRONT CARPET ASSY.	1	
	2	1068000039	FRONT CARPET PLASTIC NUT	1	
	3	1068000041	FRONT CARPET PLASTIC FIXING CLIP	6	
	4	1068000040	FRONT CARPET PLASTIC CLIP	2	
	5	1061020011	FIRE EXTINGUISHER ASSY.	1	
	6	1061000021	FIRE EXTINGUISHER MOUNTING BRACKET	1	
	7		CROSS HEAD BOLT M6x20	2	
	8	1068010087	DRIVER LEFT FOOTPLATE TRIM	1	COLOURED
	1068000206	FOOTPLATE PLASTIC CLIP	2		

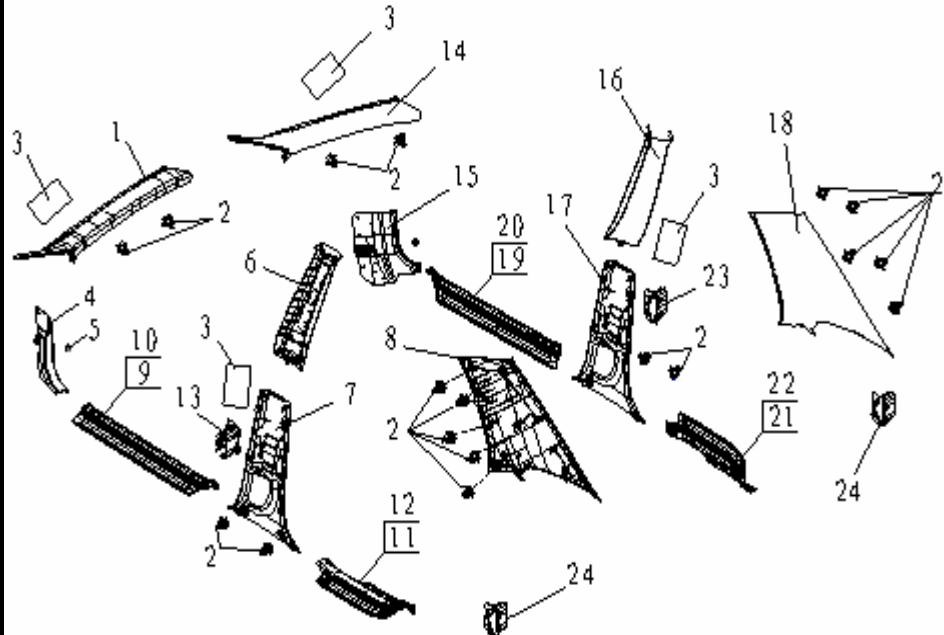
# 8030 INSTRUMENT PANEL ASSY.



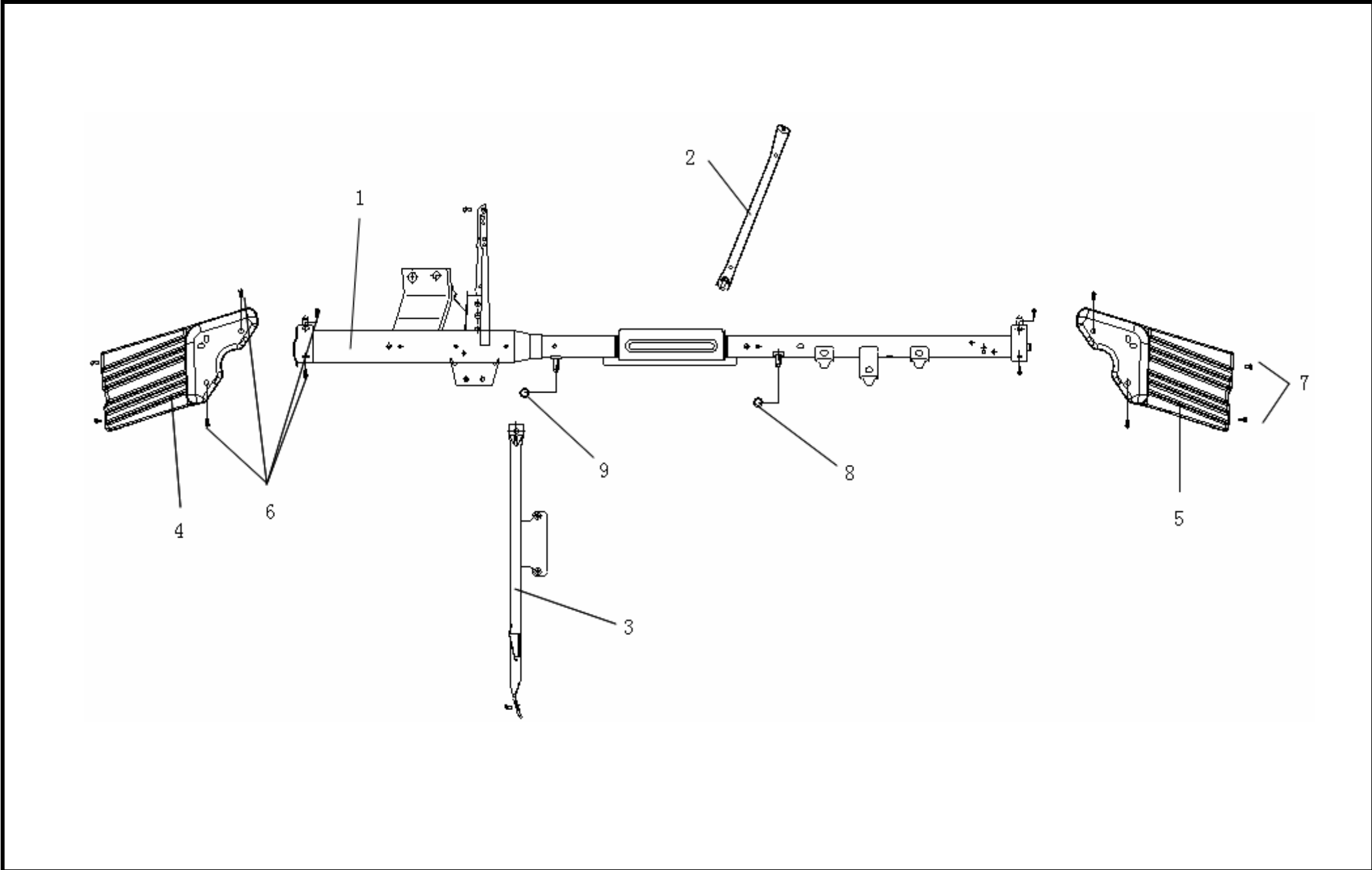
## 8030 INSTRUMENT PANEL ASSY.

NO.	PART NO.	DES.	QTY	REMARK	NO.	PART NO.	DES.	QTY	REMARK
1	1068000077	COMBINATION METER COVER	1		25		CROSS HEAD BOLT & PLAIN WASHER ASSY.	2	ST5.5X16
2	1068000083	COMBINATION METER COVER	1	CHOOSE	26	1068010009	ENGINE HOOD UNLOCKING PLASTIC HANDLE ASSY.	1	
3	1068010010	I/P LEFT VENT ASSY.	1		27		UPPER I/P GLOVE COMPARTMENT	1	
4	1068010011	I/P RIGHT VENT ASSY.	1		28		LOWER I/P RIGHT GLOVE COMPARTMENT HANDLE	1	
5	1067000036	HEADLIGHT LUMINOSITY SENSOR ASSY.	1		29		CONSOLE REAR ASHTRAY	1	
6	1067000032	A/C SHINE SENSOR ASSY.	1		30	1068010012	INSTRUMENT PANEL CENTER VENT ASSY.	1	
7	1068000079	LOWER I/P PLASTIC CLIP	2			1068003539	CONSOLE GLOVE COMPARTMENT HINGE	2	
8		HEXAGON HEAD CROSS BOLT & PLAIN WASHER ASSY.	2			1068001834	SHIFTGEAR CONTROL PANEL(HEAT SWITCH)	1	
9		REAR BAFFLE PLATE PLASTIC CLIP	1						
10	1068010006	LOWER I/P CENTER CONNECTING BOARD	1						
11	1068010008	LOWER I/P RIGHT GLOVE COMPARTMENT	1						
	1068010007	LOWER I/P LEFT GLOVE COMPARTMENT	1						
12	1068000082	GLOVE COMPARTMENT AIR SPRING ASSY.	1						
13	1068010005	LOWER I/P ASSY.	1						
14	1068010002	CONSOLE ASSY.	1						
15	1068010003	CONSOLE ASSY.	1	BUSINESS					
16	1068000076	GEARSHIFT TRIM PANEL ASSY.	1						
17		HEXAGON HEAD CROSS SCREW & WASHER ASSY.	2	ST4.8×19					
18		HEXAGON HEAD BOLT & PLAIN WASHER ASSY.	6	M6x20					
19	106801001300602	UPPER I/P ASSY.	1	LEATHER					
20	1068010004	UPPER I/P ASSY.	1						
21		CROSS HEAD BOLT & PLAIN WASHER ASSY.	7	ST4.8×13					
22	1067010012	PAB ASSY.	1						
23	1064000128	STEERING POST UPPER TRIMS PANEL	1						
24	1064000129	STEERING POST LOWER TRIMS PANEL	1						

## 8040 PILLAR TRIM & ACCESSORY

	NO.	PART NO.	DES.	QTY	REMARK
	1	1068010014	LF PILLAR INTERIOR TRIM BOARD ASSY.	1	
	2	1068000089	PILLAR TRIM BOARD PLASTIC CLIP	18	WHITE
	3	1068000090	PILLAR HEAT INSULATION MAT	4	
	4	1068010015	LEFT SIDE WALL LOWER PART INTERIOR TRIM BOARD	1	
	5		"CAP" TYPE FLANGE NUT M6	2	
	6	1068010023	LEFT CENTER PILLAR UPPER INTERIOR TRIM BOARD ASSY.	1	
	7	1068010018	LEFT CENTER PILLAR LOWER INTERIOR TRIM BOARD	1	
	8	1068010026	LR PILLAR INTERIOR TRIM BOARD ASSY.	1	
	9	1068010020	LF DOOR FOOTPLATE TRIM BOARD	1	
	10	106801002800602	LF DOOR FOOTPLATE TRIM BOARD ASSY.	1	LUXURY
	11	1068010022	LR DOOR FOOTPLATE TRIM BOARD	1	
	12	106801003000602	LR DOOR FOOTPLATE TRIM BOARD ASSY.	1	LUXURY
	13	1068000092	LEFT CENTER PILLAR WIRING HARNESS SHIELD	1	
	14	1068010017	RF PILLAR INTERIOR TRIM BOARD ASSY.	1	
	15	1068010016	RIGHT SIDE WALL FRONT LOWER INTERIOR TRIM	1	
	16	1068010025	RIGHT CENTER PILLAR UPPER INTERIOR TRIM	1	
	17	1068010019	RIGHT CENTER PILLAR LOWER INTERIOR TRIM	1	
	18	1068010027	RR PILLAR INTERIOR TRIM BOARD ASSY.	1	
	19	1068010021	RF DOOR FOOTPLATE TRIM BOARD	1	
	20	106801002900602	RF DOOR FOOTPLATE TRIM BOARD	1	LUXURY
	21	1068010024	RR DOOR FOOTPLATE TRIM BOARD	1	
	22	106801003100602	RR DOOR FOOTPLATE TRIM BOARD	1	LUXURY
	23	1068000093	RIGHT CENTER PILLAR WIRING HARNESS SHIELD	1	
	24	1068000117	TRUNK VENT ASSY.	2	

8050 INSTRUMENT PANEL CROSS RAIL ASSY.





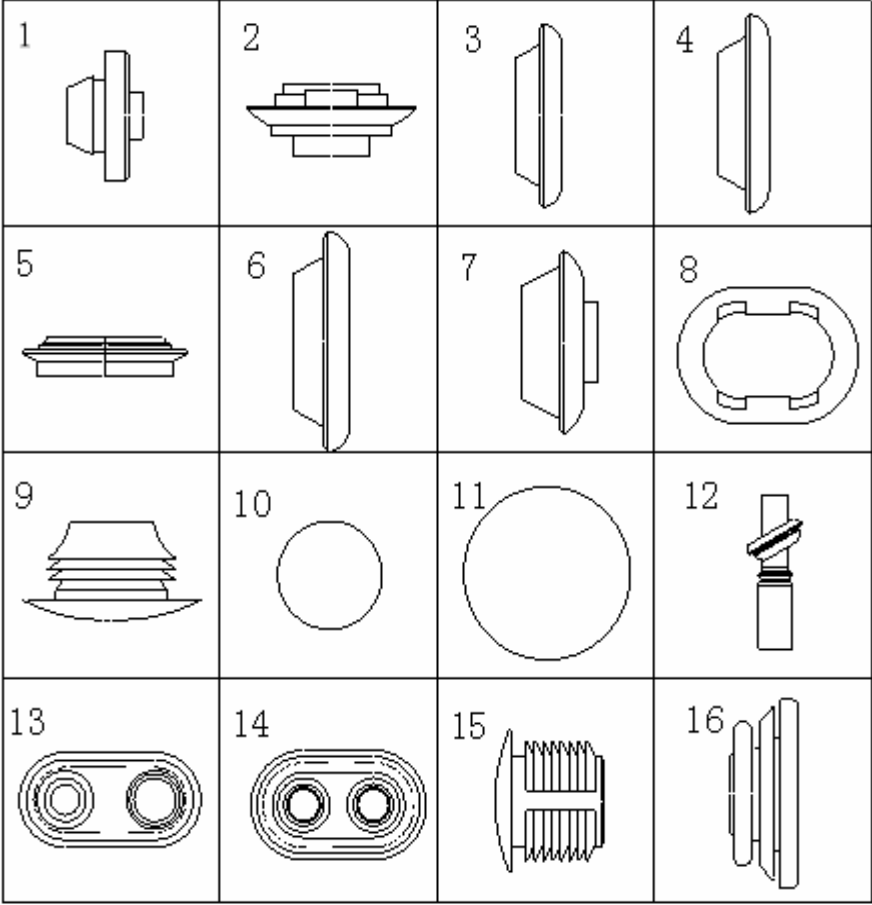
## 8050 INSTRUMENT PANEL CROSS RAIL ASSY.

NO.	PART NO.	DES.	QTY	REMARK	NO.	PART NO.	DES.	QTY	REMARK
1	1068000070	INSTRUMENT PANEL FRAME ASSY.	1						
2	1068000073	I/P FRAME UPPER MOUNTING BRACKET ASSY.	1						
3	1068000074	I/P FRAME LOWER MOUNTING BRACKET ASSY.	1						
4	1068000071	I/P LEFT MOUNTING PLATE ASSY.	1						
5	1068000072	I/P RIGHT MOUNTING PLATE ASSY.	1						
6		HEXAGON FLANGE BOLT M8x16	10						
7		HEXAGON NUT & PLAIN WASHER ASSY. M6	4						
8		HEXAGON FLANGE NUT M6	3						
9		HEXAGON FLANGE NUT M8	1						

# 8060 SOUND & HEAT INSULATION

	NO.	PART NO.	DES.	QTY	REMARK
	1	1068000084	COWL PANEL HEAT INSULATION ASSY.	1	
	2	1068000039	FRONT CARPET PLASTIC NUT	5	
	3	1068000085	COWL PANEL HEAT INSULATION PLASTIC NUT	6	
	4	1068000087	CONSOLE LOWER SOUND & HEAT INSULATION	1	
	5	1068000124	ROOF 1# HEAT INSULATION MAT	1	900×200×10
	6	1068000125	ROOF 2# HEAT INSULATION MAT	2	900×80×10
	7	1068000126	ROOF 3# HEAT INSULATION MAT	1	900×130×10
	8	1068000127	ROOF 4# HEAT INSULATION MAT	1	900×330×10
	9	1068000115	TRUNK UPPER SOUND INSULATION	2	
	10	1068000116	TRUNK LOWER SOUND INSULATION	2	

# 8070 RUBBER PLUG

				NO.	PART NO.	DES.	QTY	REMARK								
	1	2	3	4	5	6	7	8	9	10	11	12	13	14	15	16
	1	1068000022	RUBBER PLUG $\phi$ 10	9												
	2	1068000023	RUBBER PLUG $\phi$ 17	2												
	3	1068000024	RUBBER PLUG $\phi$ 26	14												
	4	1068000025	RUBBER PLUG $\phi$ 30	3												
	5	1068000026	RUBBER PLUG $\phi$ 40	2												
	6	1068000027	RUBBER PLUG $\phi$ 45	6												
	7	1068000028	COWL PANEL PLUG	2												
	8	1068000029	REAR CARLING PLUG	2												
	9	1068000030	BODY FRAME PLUG	2												
	10	1068000035	RUBBER COVER $\phi$ 30	38												
	11	1068000036	RUBBER COVER $\phi$ 60	7												
	12		REAR DRAINPIPE LOWER CONNECTING	2	CHOOSE											
	13	1068000031	CONDENSATOR PIPE PLUG	1												
	14	1068000032	HEATER WATER TANK PLUG	1												
	15	1068000033	FRONT WHEEL TRIM COVER PLUG	2	$\phi$ 22											
16	1068000034	COWL PANEL A/C WATER OUTLET PLUG	1	$\phi$ 36												

## 8080 TRUNK TRIM & ACCESSORY

	NO.	PART NO.	DES.	QTY	REMARK
	1	1068010032	PACKAGE TRAY & SUN VISOR ASSY.	1	
	2	1068000085	COWL PANEL HEAT INSULATION PLASTIC CLIP	1	
	3		REAR BAFFLE PLATE LOWER CLIP	3	
	4		REAR SUN VISOR ASSY.	1	
	5		PACKAGE TRAY LEFT SPEAKER COVER	1	
	6		PACKAGE TRAY RIGHT SPEAKER COVER	1	
	7		REAR INNER HEAT INSULATION FLOOR	1	
	8	1068010034	PACKAGE TRAY FRONT LOWER TRIMS BOARD	1	
	9		REAR SEAT BACK REAR LINER	1	
	10	1068000112	TRUNK LEFT TRIM	1	
	11	1068000113	TRUNK RIGHT TRIM	1	
	12		TRUNK LEFT SQUARENESS TRIMS	1	
	13		TRUNK RIGHT SQUARENESS TRIMS	1	
	14	1068000114	TRUNK CARPET ASSY.	1	
	15	1068000079	LOWER INSTRUMENT PANEL PLASTIC CLIP	11	
	16	1068000118	TRUNK REAR TRIM BOARD	1	
	17	1068000096	TRUNK LEFT CUSHION	1	
	18	1068000097	TRUNK RIGHT CUSHION	1	
	20	1068000098	TRUNK LID HINGE RUBBER CUSHION	2	
	21	1068000119	TRUNK WEATHERSTRIP	1	
		1068000099	TRUNK LID TORSION SPRING FIXING BRACKET	1	
	1068000100	TRUNK TORSION SPRING I	1		
	1068000101	TRUNK TORSION SPRING II	1		
	1068000261	TRUNK LID PLASTIC CLIP	2		

# 8090 TRUNK LOCK ASSY.

	NO.	PART NO.	DES.	QTY	REMARK
	1	1068000107	LICENSE PLATE LAMP SHIELD	1	
	2		LICENSE PLATE LAMP SHIELD FIXING BOLT	5	
	3		HEXAGON FLANGE NUT M5	5	
	4		RUBBER PLUG φ5	4	
	5	1068000109	TRUNK LOCK ASSY.	1	
		1068000110	TRUNK LOCK BUCKLE	1	
	6		HEXAGON FLANGE BOLT M6x12	2	
	7	1068000254	TRUNK LID TRIM BOARD	1	
	8	1068000261	TRUNK LID PLASTIC CLIP	15	
9	1068000111	TRUNK LOCK & OIL FILLER CAP UNLOCKING HANDLE	1		
	1068000257	TRUNK LOCK & OIL FILLER CAP UNLOCKING HANDLE	1		

## 8100 ROOF INTERIOR TRIM & ACCESSORY

	NO.	PART NO.	DES.	QTY	REMARK
	1	1068010035	ROOF INTERIOR TRIM BOARD	1	
		1068010038	ROOF INTERIOR TRIM BOARD	1	SUNROOF
	2	1068010084	LEFT SUN VISOR ASSY.	1	
		1068003219	LEFT SUN VISOR ASSY. (SRS)	1	
	3	1068010085	RIGHT SUN VISOR ASSY.	1	
	4	1068010086	SUN VISOR HOOK	2	
	5	1068010088	PASSENGER HANDLE	3	
	6		HEXAGON FLANGE BOLT (ACUMINATION)	6	M6x45
	8	1068000120	ROOF INTERIOR TRIM LF MOLDING	1	
	9	1068000121	ROOF INTERIOR TRIM RF MOLDING	1	
	10	1068000122	ROOF INTERIOR TRIM LR MOLDING	1	
	11	1068000123	ROOF INTERIOR TRIM RR MOLDING	1	
	12	1068010037	REAR SUN VISOR HOOK SEAT	2	
	13	1068000079	LOWER INSTRUMENT PANEL PLASTIC CLIP	1	
14	1068010036	ROOF REAR CENTER FIXING PLASTIC CLIP	1		

# 8110 SAFETY BELT ASSY.

	NO.	PART NO.	DES.	QTY	REMARK
	1	1068010048	REAR SAFETY BELT RETRACTOR ASSY.	2	
	2	1068010042	REAR SAFETY BELT CENTER CONNECTING ASSY.	1	
	3	1068010043	REAR SAFETY BELT MIDDLE CESTUS CONNECTING	1	
	5	1068000131	REAR SAFETY BELT RETRACTOR SOUND INSULATION	2	
	6	1068010039	SAFETY BELT UPPER FIXING INSTALLATION BRACKET	2	
	7		HEXAGON FLANGE BOLT M10x1.25x20	2	
	8	1068010025	RIGHT CENTER PILLAR UPPER INTERIOR TRIM ASSY.	1	
	9	1068010047	RF SAFETY BELT RETRACTOR ASSY.	1	
	10		RF SAFETY BELT RETRACTOR UPPER FIXING BOLT	2	
	11	1068010045	SAFETY BELT UPPER FIXING BOLT TRIM COVER	2	
	12	1068010041	FR SAFETY BELT LOCK CONNECTING ASSY.	1	
	15	1068010040	FL SAFETY BELT LOCK CONNECTING ASSY.	1	
	16	1068010044	FL SAFETY BELT RETRACTOR ASSY.	1	
	17	1068010023	LEFT CENTER PILLAR UPPER INTERIOR TRIM ASSY.	1	

# 8120 LF DOOR TRIM & ACCESSORY

	NO.	PART NO.	DES.	QTY	REMARK
	1	1068010049	LF DOOR INTERIOR SHIELD ASSY.	1	
	2	1067000122	LF DOOR WINDOW REGULATOR ASSY.	1	
	3		HEXAGON FLANGE BOLT M6x10	8	
	4	1068000132	DOOR CUSHION	3	
	5	1068000133	FRONT DOOR PLASTIC PLUG	1	
	6	1068000134	LF DOOR FRONT WINDOW FRAM FILM	1	
	7	1068000135	LF DOOR REAR WINDOW FRAM FILM	1	
	8	1068000140	LF DOOR WATERPROOF BOARD ASSY.	1	
	9	1068000143	LF DOOR PANEL BRACKET	1	
	10		SQUARENESS PLASTIC NUT	2	
	11		CROSS HEAD BOLT ST6.3x19	2	
		1067000209	LF DOOR CONTROL PANEL ASSY.	1	



# 8130 LF DOOR LOCK & HANDLE

	NO.	PART NO.	DES.	QTY	REMARK
	1	1068000150	LF DOOR EXTERIOR HANDLE ASSY.	1	
	2	1068000154	DOOR LOCK BUCKLE ASSY.	1	
	3		INNER HEXAGON FLOWER TYPE BOLT	2	M8x16
	4	1068010051	LEFT DOOR INTERIOR HANDLE ASSY.	1	
	5		CROSS SLOTTED HEAD BOLT & PLAIN WASHER ASSY.	1	ST4.8X16
	6		SQUARENESS PLASTIC NUT	1	
	7	1068000152	LF DOOR LOCK ASSY.	1	
	8		HEXAGON FLANGE BOLT	2	M6X10
	9		HEXAGON CROSS BOLT & PLAIN WASHER ASSY.	1	ST6.3X16
	10		INNER HEXAGON FLOWER TYPE BOLT	3	
		1068020404	LF DOOR LOCK ACTUATOR	1	

# 8140 RF DOOR INTERIOR TRIM & ASSECCORY

	NO.	PART NO.	DES.	QTY	REMARK
	1	1068010050	RF DOOR INTERIOR SHIELD ASSY.	1	
	2	1067000123	RF DOOR WINDOW REGULATOR ASSY.	1	
	3		HEXAGON FLANGE BOLT	8	M6X10
	4	1068000138	RF DOOR FRONT WINDOW FRAME FILM	1	
	5	1068000139	RF DOOR REAR WINDOW FRAME FILM	1	
	6	1068020023	DOOR CUSHION	3	
	7		FRONT DOOR PLASTIC PLUG	1	
	8	1068000145	RF DOOR PANEL BRACKET	1	
	9		CROSS HEAD BOLT ST6.3x19	2	
	10	1068000141	RF DOOR WATERPROOF BOARD ASSY.	1	
	11		SQUARENESS PLASTIC NUT	2	
	12	1067000211	RF DOOR CONTROL PANEL ASSY.	1	

# 8150 RF DOOR LOCK & HANDLE

	NO.	PART NO.	DES.	QTY	REMARK
	1	1068000151	RF DOOR EXTERIOR HANDLE ASSY.	1	
	2	1068000154	DOOR LOCK BUCKLE ASSY.	1	
	3		INNER HEXAGON FLOWER TYPE BOLT	2	M8X16
	4	1068010052	RIGHT DOOR INTERIOR HANDLE ASSY.	1	
	5		CROSS SLOTTED HEAD BOLT & PLAIN WASHER ASSY.	1	ST4.8X16
	6		SQUARENESS PLASTIC NUT	1	
	7	1068000153	RF DOOR LOCK ASSY.	1	
	8		HEXAGON FLANGE BOLT	2	M6X10
	9		HEXAGON CROSS BOLT & PLAIN WASHER ASSY.	1	ST6.3X16
	10	1068020405	INNER HEXAGON FLOWER TYPE BOLT RF DOOR LOCK ACTUATOR	3 1	

# 8160 FRONT DOOR WINDOW ASSY.

	NO.	PART NO.	DES.	QTY	REMARK
	1	1068000146	LF WINDOW ASSY.	1	
		1068000147	RF WINDOW ASSY.	1	
	2		HEXAGON FLANGE BOLT	3	M6X10
	3	1068000148	LF DOOR WINDOW CHANNEL ASSY.	1	
		1068000149	RF DOOR WINDOW CHANNEL ASSY.	1	

# 8170 FRONT DOOR WEATHERSTRIP ASSY.

	NO.	PART NO.	DES.	QTY	REMARK
	1	1068000157	LF DOOR WEATHERSTRIP ASSY.	1	
	2	1068000160	RF DOOR WEATHERSTRIP ASSY.	1	
	3	1068000158	FL DOOR WINDOW OUTER WEATHERSTRIP	1	
	4	1068000159	FR DOOR WINDOW OUTER WEATHERSTRIP	1	
	5	1068010055	LF DOORFRAME WEATHERSTRIP	1	
	6	1068010056	RF DOORFRAME WEATHERSTRIP	1	
	7	1068000161	LF WINDOW CHANNEL WEATHERSTRIP	1	
	8	1068000162	RF WINDOW CHANNEL WEATHERSTRIP	1	

# 8180 LR DOOR INTERIOR TRIM & ACCESSORY

	NO.	PART NO.	DES.	QTY	REMARK
	1	1067000124	LR DOOR WINDOW REGULATOR ASSY.	1	
	2		HEXAGON FLANGE BOLT	4	M6X10
	3		DOOR CUSHION	2	
	4		REAR DOOR PLASTIC PLUG	1	
	5	1068000165	LR DOOR FRONT WINDOW FRAME FILM	1	
	6	1068000166	LR DOOR REAR WINDOW FRAME FILM	1	
	7	1068010057	LR DOOR INTERIOR TRIM BOARD ASSY.	1	
	8	1068000169	LR DOOR WATERPROOF BOARD ASSY.	1	
	9	1068000174	LR DOOR LOWER WATERPROOF BOARD ASSY.	1	
	10		REAR DOOR PANEL BRACKET	1	
	11		CROSS SLOTTED HEAD SELF-TAPPING SCREW ST6.3x19	2	
	12		SQUARENESS PLASTIC NUT	2	
	13	1067000213	LR DOOR CONTROL PANEL ASSY.	1	

# 8190 LR DOOR LOCK & HANDLE

	NO.	PART NO.	DES.	QTY	REMARK
	1	1068000189	LR DOOR EXTERIOR HANDLE ASSY.	1	
	2	1068000154	DOOR LOCK BUCKLE ASSY.	1	
	3		INNER HEXAGON FLOWER TYPE BOLT	2	M8x16
	4	1068010051	LEFT DOOR INTERIOR HANDLE ASSY.	1	
	5		CROSS HEAD BOLT & PLAIN WASHER ASSY.	1	ST4.8X16
	6		SQUARE PLASTIC NUT	1	
	7	1068000191	LR DOOR LOCK ASSY.	1	
	8		HEXAGON FLANGE BOLT M6x10	1	
	9		HEXAGON HEAD CROSS BOLT & WASHER ASSY.	1	ST6.3X16
	10		INNER HEXAGON FLOWER TYPE BOLT & WASHER ASSY.	3	M6X18
		1068020406	LR DOOR LOCK ACTUATOR	1	

# 8200 RR DOOR INTERIOR TRIM & ACCESSORY

	NO.	PART NO.	DES.	QTY	REMARK
	1	1067000125	RR DOOR WINDOW REGULATOR ASSY.	1	
	2		HEXAGON FLANGE BOLT	4	M6X10
	3	1068020023	DOOR CUSHION	2	
	4		REAR DOOR PLASTIC PLUG	1	
	5	1068000167	RR DOOR FRONT WINDOW FRAME FILM	1	
	6	1068000168	RR DOOR REAR WINDOW FRAME FILM	1	
	7	10680100580	RR DOOR INTERIOR TRIM BOARD ASSY.	1	
	8	1068000172	RR DOOR WATERPROOF BOARD ASSY.	1	
	9	1068000175	RR DOOR LOWER WATERPROOF BOARD ASSY.	1	
	10		REAR DOOR PANEL BRACKET	1	
	11		CROSS SLOTTED HEAD SELF-TAPPING SCREW ST6.3x19	2	
	12		SQUARENESS PLASTIC NUT	2	
	13	1067000214	RR DOOR CONTROL PANEL ASSY.	1	



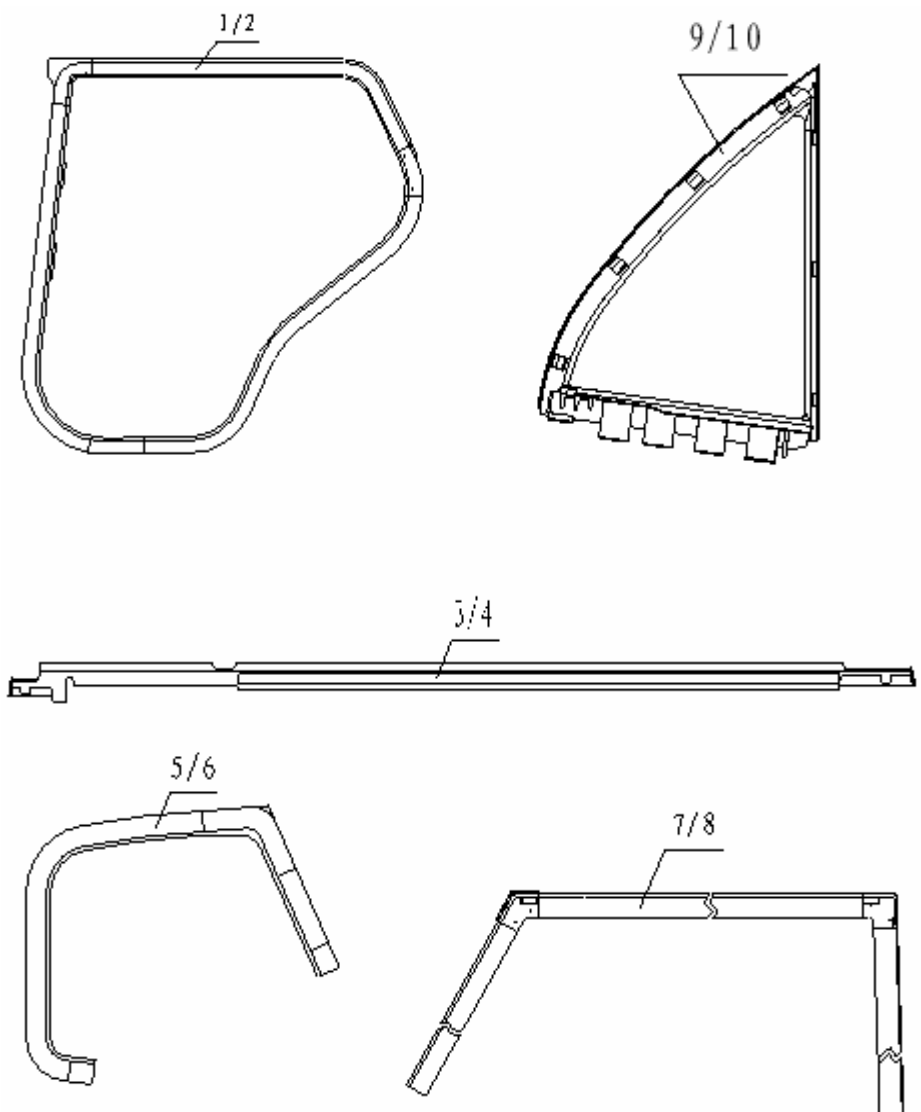
# 8210 RR DOOR LOCK & HANDLE

	NO.	PART NO.	DES.	QTY	REMARK
	1	1068000190	RR DOOR EXTERIOR HANDLE ASSY.	1	
	2	1068000154	DOOR LOCK BUCKLE ASSY.	1	
	3		INNER HEXAGON FLOWER TYPE BOLT	2	M8x16
	4	1068010052	RIGHT DOOR INTERIOR HANDLE ASSY.	1	
	5		CROSS HEAD BOLT & PLAIN WASHER ASSY.	1	ST4.8X16
	6		SQUARE PLASTIC NUT	1	
	7	1068000192	RR DOOR LOCK ASSY.	1	
	8		HEXAGON FLANGE BOLT M6x10	2	M6X10
	9		HEXAGON HEAD CROSS BOLT & WASHER ASSY.	1	ST6.3X16
	10		INNER HEXAGON FLOWER TYPE BOLT & WASHER ASSY.	3	M6X18
		1068020407	RR DOOR LOCK ACTUATOR	1	

# 8220 REAR DOOR WINDOW ASSY.

	NO.	PART NO.	DES.	QTY	REMARK
	1	1068000179	LR WINDOW ASSY.	1	
		1068000180	RR WINDOW ASSY.	1	
	2	1068000181	LR DOOR QUARTER WINDOW	1	
		1068000183	RR DOOR QUARTER WINDOW	1	
	3	1068000187	LR DOOR WINDOW CHANNEL ASSY.	1	
	1068000188	RR DOOR WINDOW CHANNEL ASSY.	1		
4			HEXAGON FLANGE BOLT M6x10	2	
5			CROSS SLOTTED HEAD SCREW M4x5	1	

# 8230 REAR DOOR WEATHERSTRIP

	NO.	PART NO.	DES.	QTY	REMARK
	1	1068000195	LR DOOR WEATHERSTRIP ASSY.	1	
	2	1068000198	RR DOOR WEATHERSTRIP ASSY.	1	
	3	1068000196	LR DOOR WINDOW EXTERIOR WEATHERSTRIP	1	
	4	1068000197	RR DOOR WINDOW EXTERIOR WEATHERSTRIP	1	
	5	1068010059	LR DOORFRAME WEATHERSTRIP	1	
	6	1068010060	RR DOORFRAME WEATHERSTRIP	1	
	7	1068000199	RL WINDOW CHANNEL WEATHERSTRIP	1	
	8	1068000200	RR WINDOW CHANNEL WEATHERSTRIP	1	
	9	1068000182	RL DOOR QUARTER WEATHERSTRIP	1	
	10	1068000184	RR DOOR QUARTER WEATHERSTRIP	1	

# 8240 DOOR CHECK

	NO.	PART NO.	DES.	QTY	REMARK
	1	1068000163	FRONT DOOR CHECK ASSY.	2	
		1068000201	REAR DOOR CHECK ASSY.	2	
	2		HEXAGON FLANGE BOLT M8x16	2	
	3		HEXAGON HEAD BOLT & PLAIN WASHER ASSY.	4	M6x16

# 8250 DRIVER SEAT ASSY.

	NO.	PART NO.	DES.	QTY	REMARK
	1	1068010061	DRIVER SEAT ASSY.	1	
	2	106801006700602	DRIVER SEAT ASSY. (LEATHER)	1	BEIGE
		106801009200602	DRIVER SEAT ASSY. (MT/LEATHER)	1	BEIGE
		10680029275160	DRIVER SEAT ASSY.(LEATHER+HEATING)	1	
		106800292752601	DRIVER SEAT ASSY.(KNITTING+HEATING)	1	
	3		HEXAGON HEAD BOLT & PLAIN WASHER ASSY.	4	M10×1.25×30
	4	1068010062	DRIVER SEAT LEFT LOWER TRIM	1	BEIGE
	5	1068010063	SEAT TRIM PLASTIC CLIP	1	
	6	1068010064	DRIVER SEAT RF LOWER TRIM	1	
	7	1068010065	DRIVER SEAT RR LOWER TRIM	1	
	8	1068010066	FRONT SEAT PILLOW ASSY.	1	
	9	106801006800602	FRONT SEAT PILLOW ASSY.	1	BEIGE
	10	1068003540	DRIVER SEAT LEFT SLIDE RAIL	1	
		1068003541	DRIVER SEAT RIGHT SLIDE RAIL	1	

# 8260 FRONT SEAT ASSY.

	NO.	PART NO.	DES.	QTY	REMARK
	1	1068010069	FRONT SEAT ASSY.	1	
	2	106801007300602	FRONT SEAT ASSY. (LEATHER)	1	BEIGE
		106801009400602	FRONT SEAT ASSY. (OUTER LEATHER)	1	BEIGE
		106800292851601	FRONT SEAT ASSY.(LEATHER+HEATING)	1	
		106800292852601	FRONT SEAT ASSY.(KNITTING+HEATING)	1	
	3		HEXAGON HEAD BOLT & PLAIN WASHER ASSY.	4	M10×1.25×30
	4	1068010070	FRONT SEAT RIGHT LOWER TRIM	1	
	5		SEAT TRIM PLASTIC CLIP	1	COLOURED
	6	1068010071	FRONT SEAT LF LOWER TRIM	1	
	7	1068010072	FRONT SEAT LR LOWER TRIM	1	
8	1068010066	FRONT SEAT PILLOW ASSY.	1		
9	1068010068	FRONT SEAT PILLOW ASSY.	1		
10	1068003542	FRONT SEAT LEFT SLIDE RAIL	1		
	1068003543	FRONT SEAT RIGHT SLIDE RAIL	1		

## 8270 REAR SEAT ASSY.

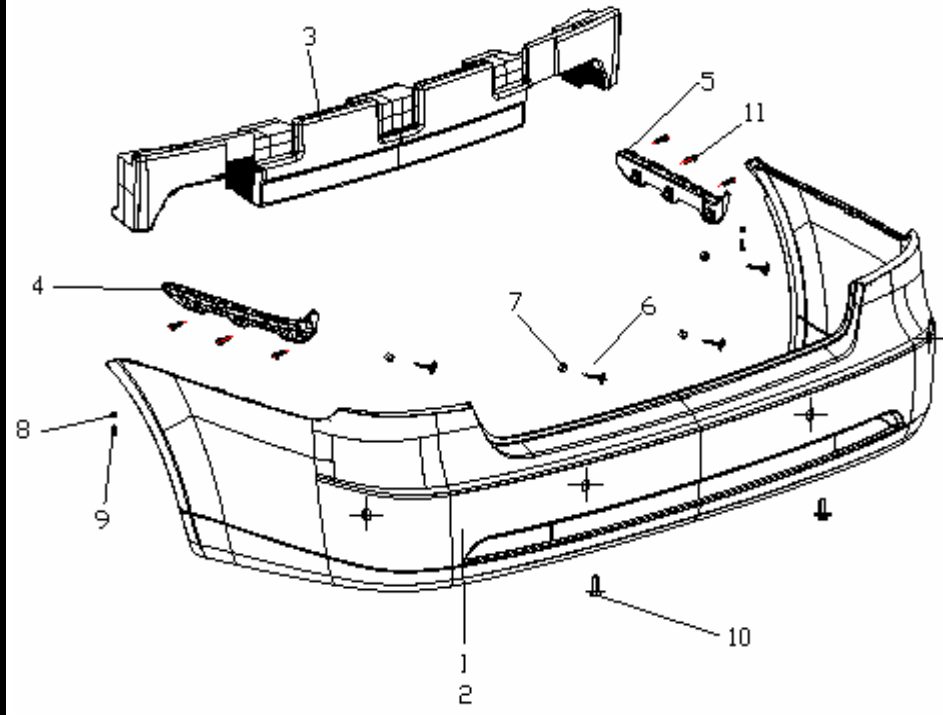
	NO.	PART NO.	DES.	QTY	REMARK
	1	1068010074	REAR SEAT CUSHION ASSY.	1	
	2	106801007500602	REAR SEAT CUSHION ASSY.	1	BEIGE
		106801009500602	REAR SEAT CUSHION ASSY.	1	LEATHER
	3	1068000202	REAR CUSHION PLASTIC CLIP ASSY.	2	
	4	1068010076	REAR SEAT BACK ASSY.	1	
	5	106801008000602	REAR SEAT BACK ASSY.	1	BEIGE
		106801009600602	REAR SEAT BACK ASSY. (LEATHER)	1	BEIGE
		1068010076	REAR SEAT BACK ASSY.	1	
	6	1068000205	REAR SEAT CLOTH PLASTIC CLIP	4	
	7		HEXAGON FLANGE BOLT M8x20	2	
	8		HEXAGON BOLT & WASHER ASSY. M10x1.25x22	2	
	9	1068000204	REAR SEAT BACK LINER	1	
	10	1068010077	REAR SEAT PILLOW ASSY.	2	
	11	1068010081	REAR SEAT PILLOW ASSY.	2	
	12	106801007800602	LR SEAT BACK ASSY (KNITTING&BEIGE)	1	
13	106801008200602	LR SEAT BACK ASSY (LEATHER&BEIGE)	1		
14	106801007900602	RR SEAT BACK ASSY (KNITTING&BEIGE)	1		
15	106801008300602	RR SEAT BACK ASSY (LEATHER&BEIGE)	1		

# 8280 FRONT BUMPER

	NO.	PART NO.	DES.	QTY	REMARK
	1	1068000005	FRONT BUMPER	1	
	2	1068000011	FRONT BUMPER(PARKING SENSOR)	1	
	3	1068000006	FRONT BUMPER LINER	1	
	4	1068000007	FRONT BUMPER LEFT MOUNTING PLATE	1	
	5	1068000008	FRONT BUMPER RIGHT MOUNTING PLATE	1	
	6	1068000009	SQUARENESS PLASTIC NUT	2	
	7		CROSS HEXAGON HEAD BOLT & WASHER ASSY.	2	
	8		CROSS HEAD BOLT & PLAIN WASHER ASSY.	2	M6x16
	9	1068000010	FRONT BUMPER REINFORCE BEAM	1	
	10		REED NUT	2	
	11	1068000094	RADIATOR GRILL ASSY.	1	
	12	1068000095	RADIATOR GRILL FIXING BOLT	8	
	13	JQ394B06	COMBINATION COVER TYPE FLANGE NUT	8	M6
	14		FRONT BUMPER REINFORCE RAIL FIXING BOLT	3	
	15		CROSS HEXAGON HEAD BOLT & WASHER ASSY.	4	
		1068000234	FRONT TOWING HOOK ASSY.	1	







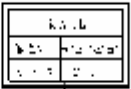
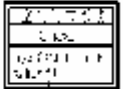
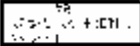
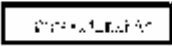
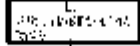


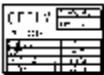
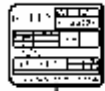
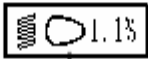
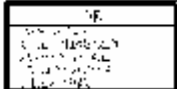
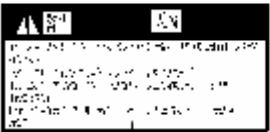
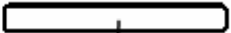


# 8290 REAR BUMPER

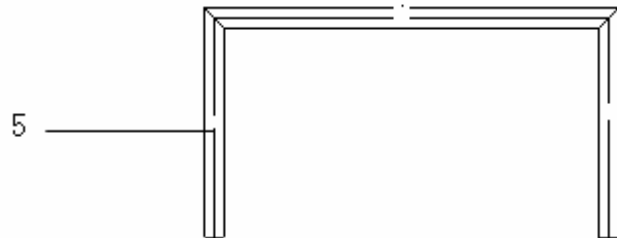
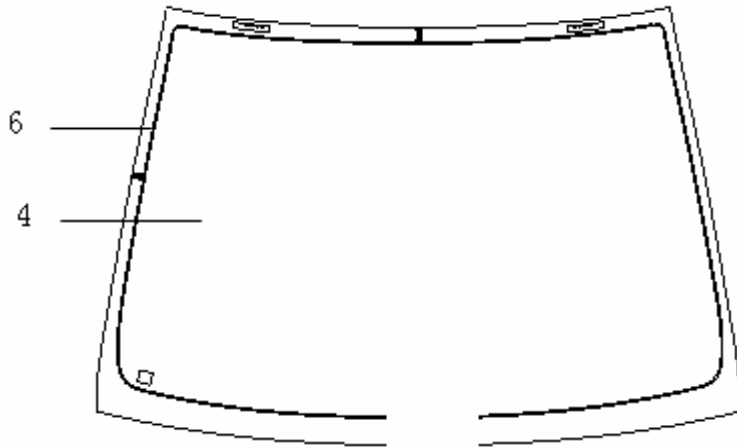
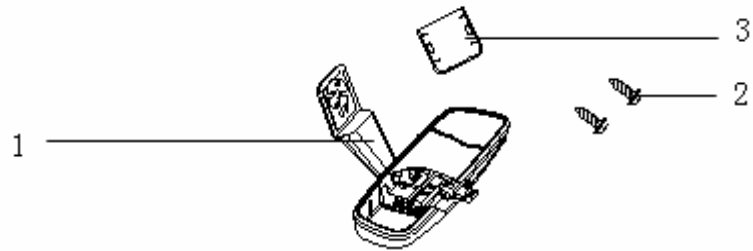


NO.	PART NO.	DES.	QTY	REMARK
1	1068000012	REAR BUMPER(PARKING SENSOR)	1	2 HOLES
2	1068000018	REAR BUMPER(PARKING SENSOR)	1	4 HOLES
	1068000268	REAR BUMPER	1	
3	1068000013	REAR BUMPER LINER	1	
4	1068000015	REAR BUMPER LEFT MOUNTING PLATE	1	
5	1068000016	REAR BUMPER RIGHT MOUNTING PLATE	1	
6	1068000017	REAR BUMPER FIXING SQUARE HEAD BOLT	4	
7		HEXAGON FLANGE NUT M6	4	
8		SQUARE FLASTIC NUT	2	
9		HEXAGON HEAD CROSS BOLT & WASHER ASSY.	2	
10		HEXAGON HEAD BOLT & PLAIN WASHER ASSY.	2	M8x20
11	1068000014	HEXAGON HEAD CROSS BOLT & WASHER ASSY.	6	

# 8300 EMBLEMS

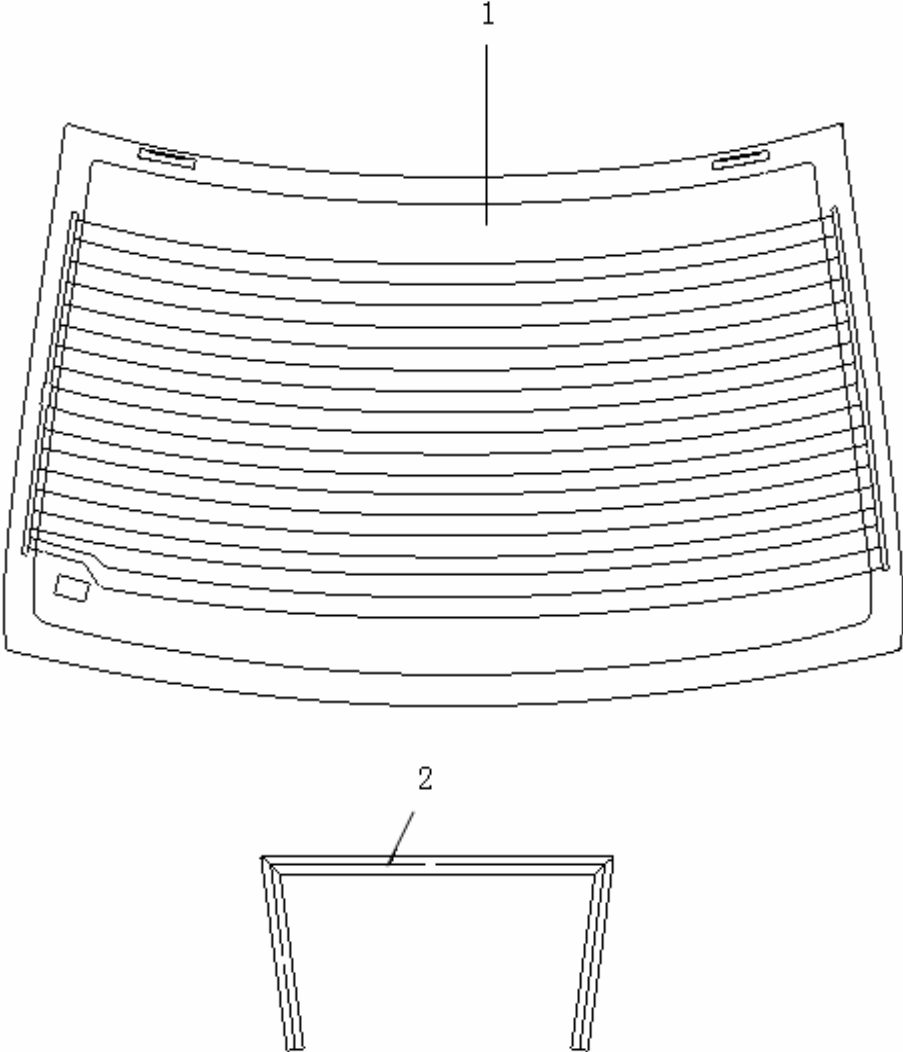
	NO.	PART NO.	DES.	QTY	REMARK
    	1	1061000017	FRONT LOGO ASSY.	1	
	2	1061000014	SIDE ENGINE DISPLACEMENT EMBLEM	2	1.8CVVT
	3	1061000019	REAR LOGO ASSY.	1	
	4	1061000015	REAR "ABS" EMBLEM	1	
	5		"FC" LICENSE PLATE	2	
	6		LEAVE FACTORY EMBLEM	1	
	7		HATCH TYPE RIVET	4	
	8		CROSS HEXAGON HEAD BOLT & WASHER ASSY.	4	M6×16
 	9		TIRE PRESSURE EMBLEM	1	
	10		A/C SYSTEM EXPLAIN EMBLEM	1	
	11		WARNING EMBLEM	1	
    	12		OIL FILLER NOTICE EMBLEM	1	
	13		GLASS WASHER LOTION ADVERT EMBLEM	1	
	14		BRAKE FLUID NOTICE EMBLEM	1	
	15		CHILDREN SAFETY LOCK EXPLAIN EMBLEM (LEFT)	1	
	16		CHILDREN SAFETY LOCK EXPLAIN EMBLEM (RIGHT)	1	
   	16		NOISE EXPLAIN EMBLEM	1	
	17		EXHAUST PIPE EXPLAIN EMBLEM	1	
	18		HEADLIGHT ADJUSTING LIGHT EXPLAIN EMBLEM	1	
	19		SRS WARNING EXPLAIN EMBLEM	1	
	20		SUNROOF WARNING EMBLEM	1	
	21		VIN EMBLEM	1	

# 8310 FRONT WINDSHIELD

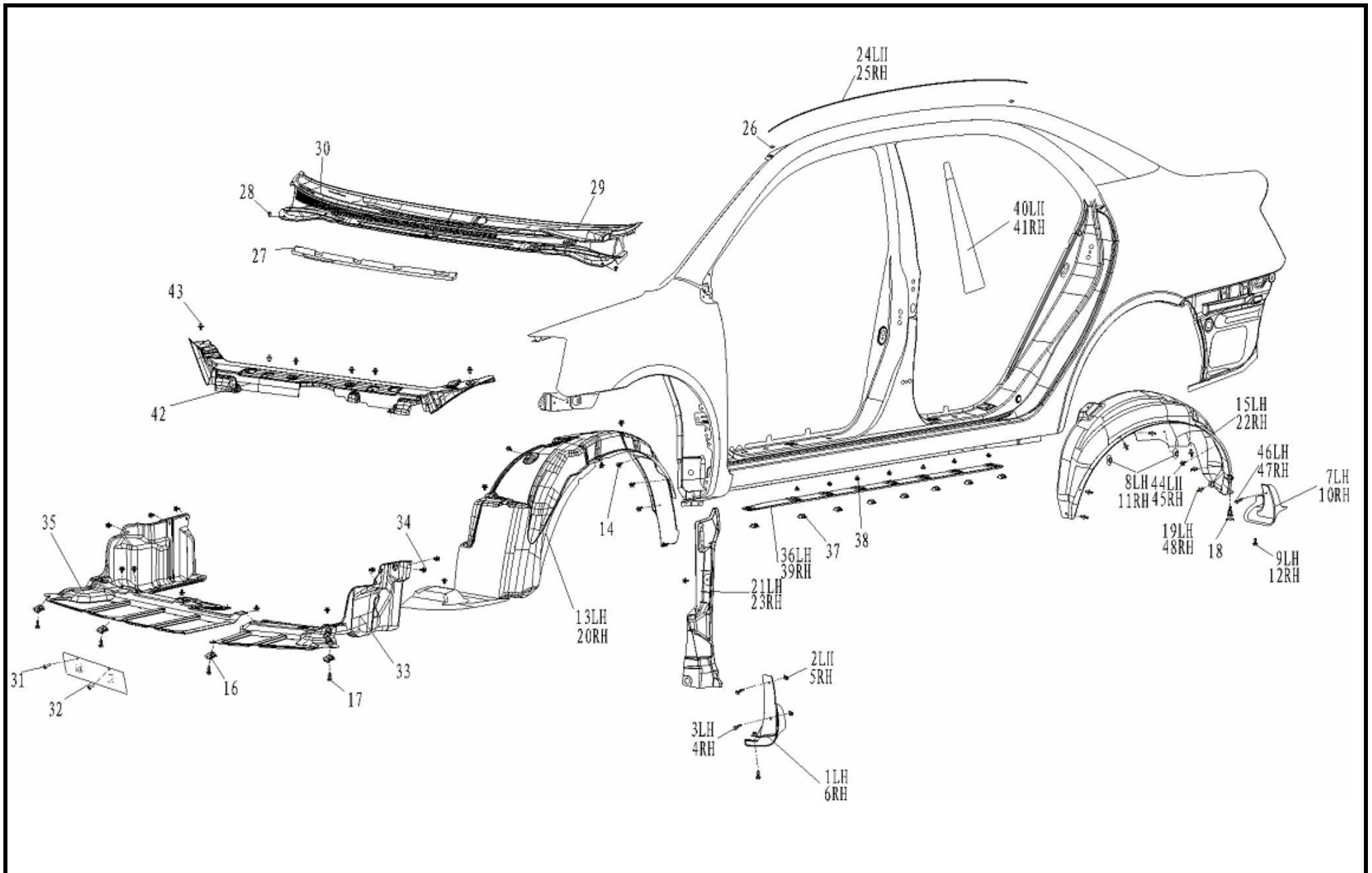


NO.	PART NO.	DES.	QTY	REMARK
1	1067010013	INTERIOR REARVIEW MIRROR ASSY.	1	
2		CROSS SLOTTED HEAD SELF-TAPPING BOLT M5x20	2	
3		INTERIOR REARVIEW MIRROR COVER BOARD	1	
4	1068000061	FRONT WINDSHIELD ASSY.	1	
5	1068000062	FRONT WINDSHIELD TRIM MOLDING	1	
6	1068000063	FRONT WINDSHIELD INTERIOR WEATHERSTRIP	1	
	1068000064	WINDSHIELD FIXING PLASTIC CLIP	1	

# 8320 REAR WINDSHIELD

	NO.	PART NO.	DES.	QTY	REMARK
	1	1068000103	REAR WINDSHIELD ASSY.	1	
	2	1068000104	REAR WINDSHIELD TRIM MOLDING	1	
		1068000105	REAR WINDSHIELD INTERIOR WEATHERSTRIP	1	

# 8330 EXTERIOR TRIM & ACCESSORY



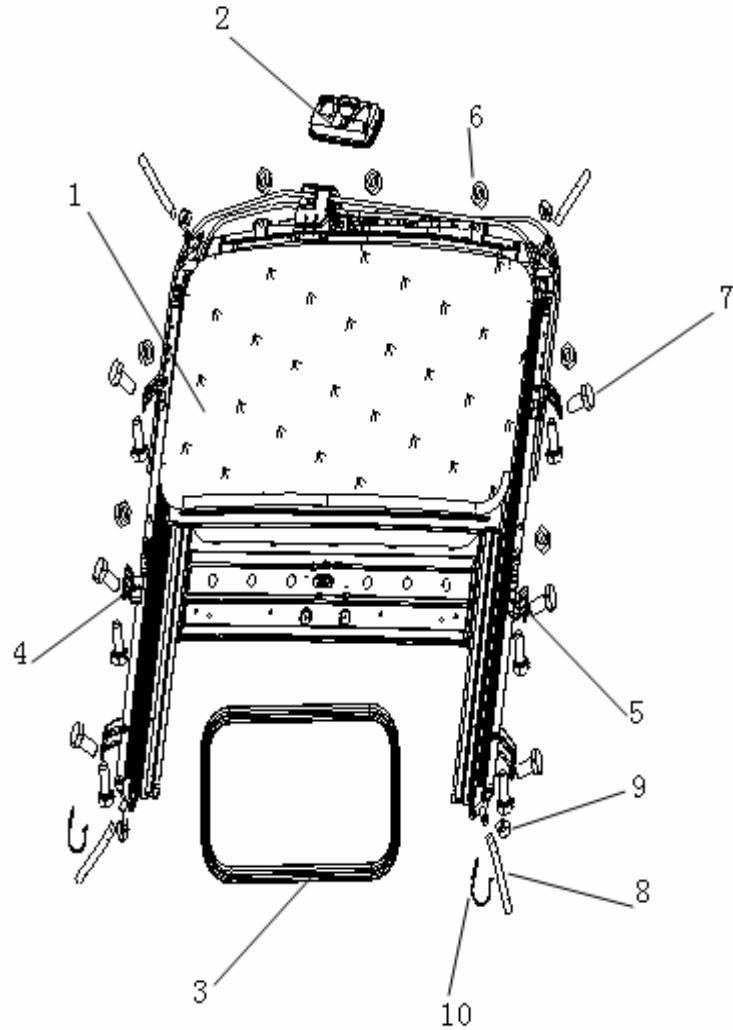
## 8330 EXTERIOR TRIM & ACCESSORY

NO.	PART NO.	DES.	QTY	REMARK	NO.	PART NO.	DES.	QTY	REMARK
1	1068000221	LF WHEEL SPLASH GUARD	1		25	1068000129	ROOF RIGHT TRIM MOLDING	1	
2	1068000226	SQUARENESS PLASTIC NUT	3		26	1068000130	ROOF TRIM MOLDING PLASTIC SEAT	4	
3		HEXAGON CROSS BOLT & PLAIN WASHER ASSY.	3	ST6.3×16	27	1068000066	FRONT WINDSHIELD LOWER FLUME	1	
4	1068000226	SQUARENESS PLASTIC NUT	3		28	1068000067	VENT COVER BOARD PLASTIC SNAP FASTENER	2	
5		HEXAGON CROSS BOLT & PLAIN WASHER ASSY.	3	ST6.3×16	29	1068000068	FRONT WINDSHIELD LEFT LOWER TRIM BOARD	1	
6	1068000222	RF WHEEL SPLASH GUARD	1		30	1068000069	FRONT WINDSHIELD RIGHT LOWER TRIM BOARD	1	
7	1068000223	LR WHEEL SPLASH GUARD	1		31		CROSS HEXAGON HEAD BOLT & WASHER ASSY.	2	
8		HEXAGON NUT & FLOWER TYPE RING ASSY.	2		32		"FC" LICENSE PLATE	1	
9		HEXAGON CROSS BOLT & PLAIN WASHER ASSY.	1		33	1068000003	ENGINE LEFT BOTTOM BOARD	1	
10	1068000224	RR WHEEL SPLASH GUARD	1		34	1068000001	BOTTOM BOARD PLASTIC SNAP FASTENER	11	
11		HEXAGON NUT & FLOWER TYPE RING ASSY.	2		35	1068000004	ENGINE RIGHT BOTTOM BOARD	1	
12		HEXAGON HEAD BOLT & WASHER ASSY.	2		36	1068000049	BODY LEFT LOWER SHIELD	1	
13	1068000225	LF WHEEL INTERIOR LINER	1		37	1068000050	LOWER SHIELD PLASTIC CLIP	14	
14	1068000001	BOTTOM BOARD PLASTIC SNAP FASTENER (φ7)	16		38	1068000051	LOWER SHIELD PLASTIC SNAP FASTENER	16	
15	1068000244	LR WHEEL CASING LINER	1		39	1068000052	BODY LR SAFETY BOARD	1	
16	1068000002	BOTTOM BOARD PLASTIC NIP NUT	4		40	1068000136	LEFT CENTER PILLAR EXTERIOR FILM	1	
17		HEXAGON CROSS BOLT & PLAIN WASHER ASSY.	4	BLACK	41	1068000137	RIGHT CENTER PILLAR EXTERIOR FILM	1	
18	1068000227	WHEEL INNER LINER PLASTIC SNAP FASTENER	2		42	1068000215	COWL PANEL UPPER CROSS RAIL UPPER TRIM BOARD	1	
19		WHEEL LINER FIXAING CLIP	7		43	1068020002	"J" TYPE CLIP φ8	6	
20	1068000228	RF WHEEL INTERIOR LINER	1		44	1068000001	BOTTOM BOARD PLASTIC SNAP FASTENER	1	φ7
21	1068000229	LF WHEEL TRIM PLATE ASSY.	1		45	1068000001	BOTTOM BOARD PLASTIC SNAP FASTENER	1	φ7
22	1068000247	RR WHEEL CASING LINER	1			1068000230	LR WHEEL TRIM PLATE	1	
23	1068000233	RF WHEEL TRIM PLATE ASSY.	1			1068000231	RR WHEEL TRIM PLATE	1	
24	1068000128	ROOF LEFT TRIM MOLDING	1			1068000232	OIL FILLER BEND SPLASH GUARD	1	

# 8340 REARVIEW MIRROR & ACCESSORY

	NO.	PART NO.	DES.	QTY	REMARK
	1	1067000155	LEFT EXTERIOR POWER REARVIEW MIRROR ASSY.	1	
	2		HEXAGON FLANGE NUT M6	6	
	3		LEFT EXTERIOR POWER REARVIEW MIRROR CASING	1	
	4	1067000159	LF DOORFRAME QUARTER TRIM ASSY.	1	
	5	1067000157	RIGHT EXTERIOR POWER REARVIEW MIRROR ASSY.	1	
	6		RIGHT EXTERIOR POWER REARVIEW MIRROR CASING	1	
	7	1067000160	RF DOORFRAME QUARTER TRIM ASSY.	1	
	8	1067000218	LEFT EXTERIOR POWER REARVIEW MIRROR GLASS	1	
	9	1067000219	LEFT EXTERIOR POWER REARVIEW MIRROR GLASS	1	

# 8350 SUNROOF ASSY.



NO.	PART NO.	DES.	QTY	REMARK
1	1067010009	POWER SUNROOF ASSY.	1	COLOURED
2	1067010005	INTERIOR DOME FRONT LAMP ASSY.	1	COLOURED
3	106701001000602	SUNROOF TRIM BAR	1	
4	1067000118	LEFT SUNROOF FAME MOUNTING BRACKET	1	
5	1067000119	RIGHT SUNROOF FAME MOUNTING BRACKET	1	
6		HEXAGON FLANGE NUT M6	7	
7		INNER HEXAGON FLOWER TYPR HEAD BOLT	12	
8		DRAINPIPE $\phi 15 \times \phi 12 \times 1650$	4	
9		METAL STRIP TYPE SPRING HOOP $\phi 16$	4	
10		REAR DRAINPIPE FIXIANG CLIP	2	
	1068001396	SUNROOF CONTTROL	1	
	1068001397	SUNROOF MOTOR	1	



# 8360 ENGINE HOOD LOCK ASSY.

	NO.	PART NO.	DES.	QTY	REMARK
	1	1068000211	ENGINE HOOD LOCK ASSY.	1	
	2		HEXAGON HEAD BOLT SPRING & WASHER ASSY.	3	M6X16
	3	1068000218	ENGINE HOOD CABLE ASSY.	1	
	4	1068000220	ENGINE COMPARTMENT UNLOCKING CABLE ASSY.	1	
	5	1068000219	ENGINE COMPARTMENT UNLOCKING HANDLE ASSY.	1	
	6	1068000210	ENGINE HOOD UPPER RUBBER CUSHION	2	
	7	1068000209	ENGINE HOOD LOWER RUBBER CUSHION	2	
	8	1068010009	ENGINE HOOD PLASTIC UNLOCKING HANDLE ASSY.	1	

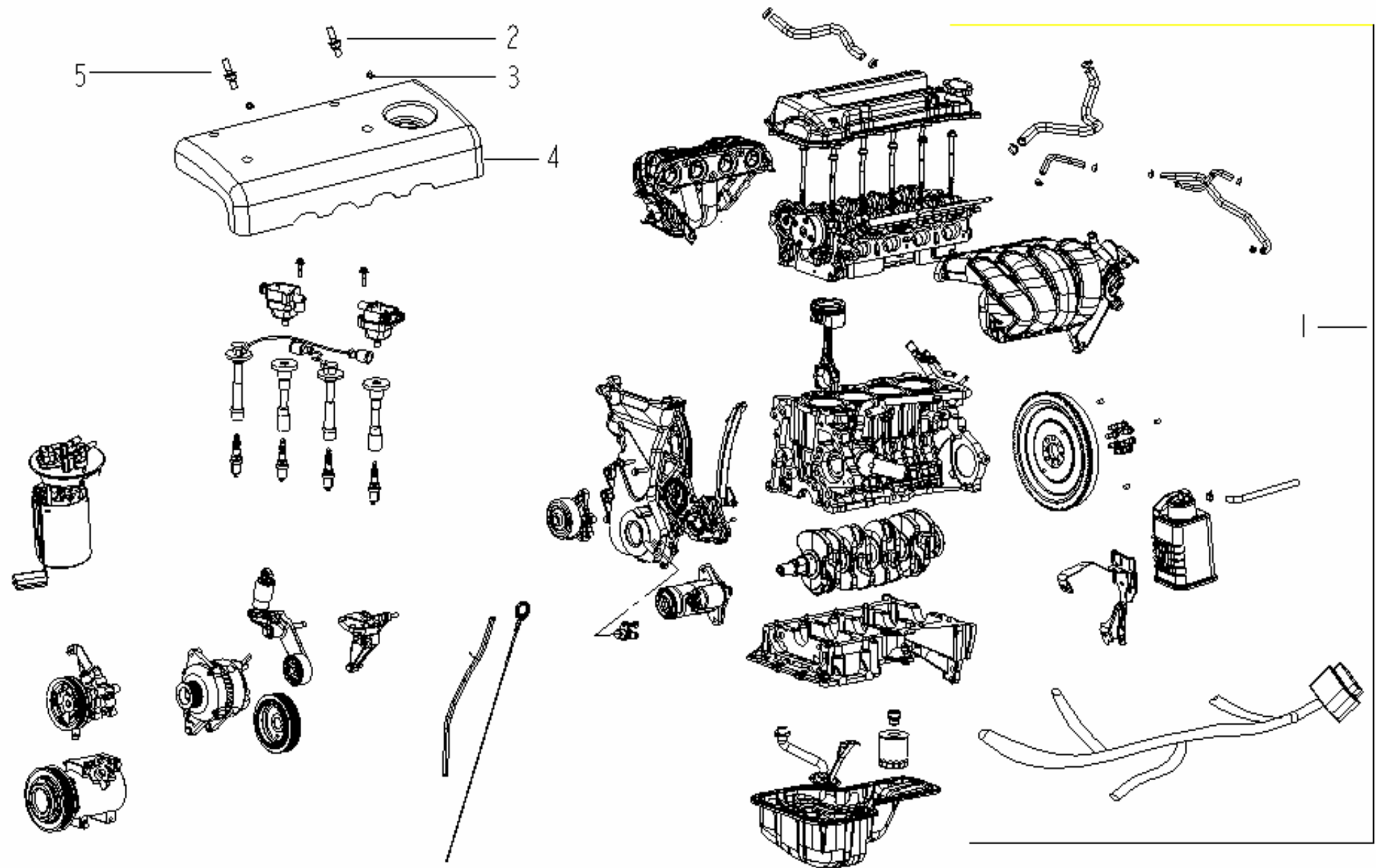
# 8370 ENGINE HOOD INTERIOR TRIM & ACCESSORY

	NO.	PART NO.	DES.	QTY	REMARK
	1	1068000235	MANUAL STAY BAR	1	
	2	1068000212	ENGINE HOOD LIFTER	1	
	3	1068000214	ENGINE HOOD SEAL ASSY.	1	
	4	1068000252	MANUAL STAY BAR PLASTIC FIXING CLIP	1	
	5	1068000086	MANUAL STAY BAR MOUNTING BRACKET BUSH	1	
	6	1068000088	ENGINE COMPARTMENT SEAL ASSY.	1	
	7	1068000088	ENGINE COMPARTMENT SOUND & HEAT INSULATION	1	
	8	1068000207	ENGINE HOOD HEAT INSULATION	1	
	8	1068000208	ENGINE HOOD HEAT INSULATION PLASTIC CLIP	8	

# CONTENT

			PAGE				PAGE
1	PETROL ENGINE ASSY.(JL4G18)		1	15	15 OIL PUMP ASSY.		18
2	ENGINE RIGHT MOUNTING BRACKET		2	16	16 OIL FILTER ASSY.		19
3	CYLINDER BLOCK ASSY.		3	17	17 FUEL PUMP ASSY.		20
4	CYLINDER HEAD ASSY.		5	18	18 FUEL INJECTOR ASSY.		21
5	CYLINDER HEAD FIXING SUBASSY.		7	19	19 CHARCOAL CANISTER ASSY.		22
6	6 CYLINDER HEAD COVER COMPONENTS		8	20	20 HEATER INLET & OUTLET PIPE COMPONENTS		23
7	7 PISTON CONNECTING ROD COMPONENTS		9	21	21 DRIVE BELT TENSIONER ASSY.		24
8	8 CRANKSHAFT FLYWHEEL COMPONENTS		10	22	22 WATER PUMP ASSY.		25
9	9 CAMSHAFT ASSY.		11	23	23 CLUTCH ASSY.		26
10	10 INTAKE & OUTLET VALVE		12	24	24 ALTERNATOR COMPONENTS		27
11	11 EXHAUST MANIFOLD ASSY.		13	25	25 IGNITION COIL ASSY.		28
12	12 INTAKE MANIFOLD ASSY.		14	26	26 STARTER COMPONENTS		29
13	13 OIL PAN ASSY.		16	27	27 PETROL ENGINE ASSY.(JL4G18)		30
14	14 OIL STRAINER ASSY.		17				

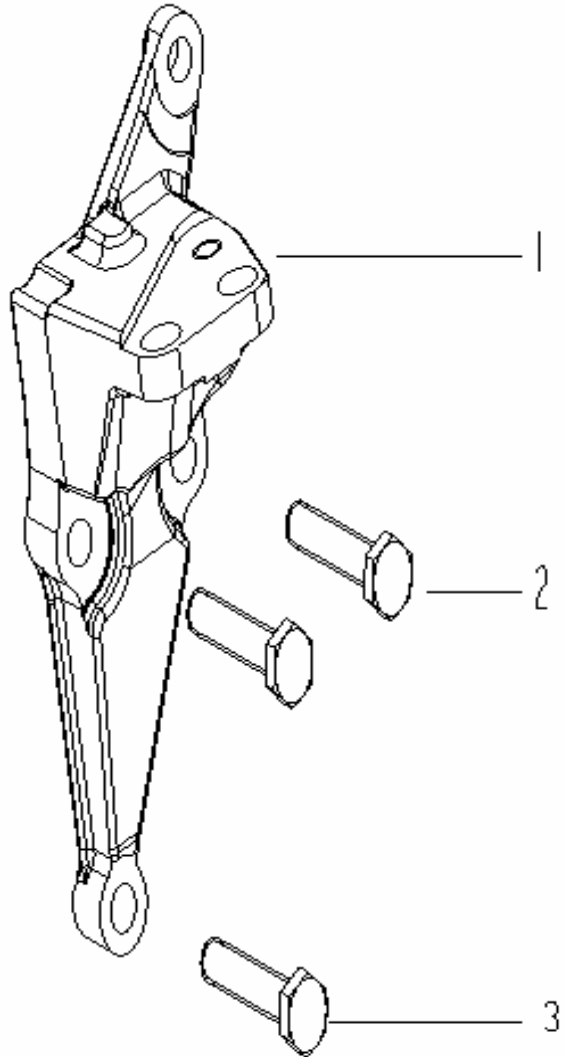
# 1 PETROL ENGINE ASSY.(JL4G18)



# 1 PETROL ENGINE ASSY.(JL4G18)

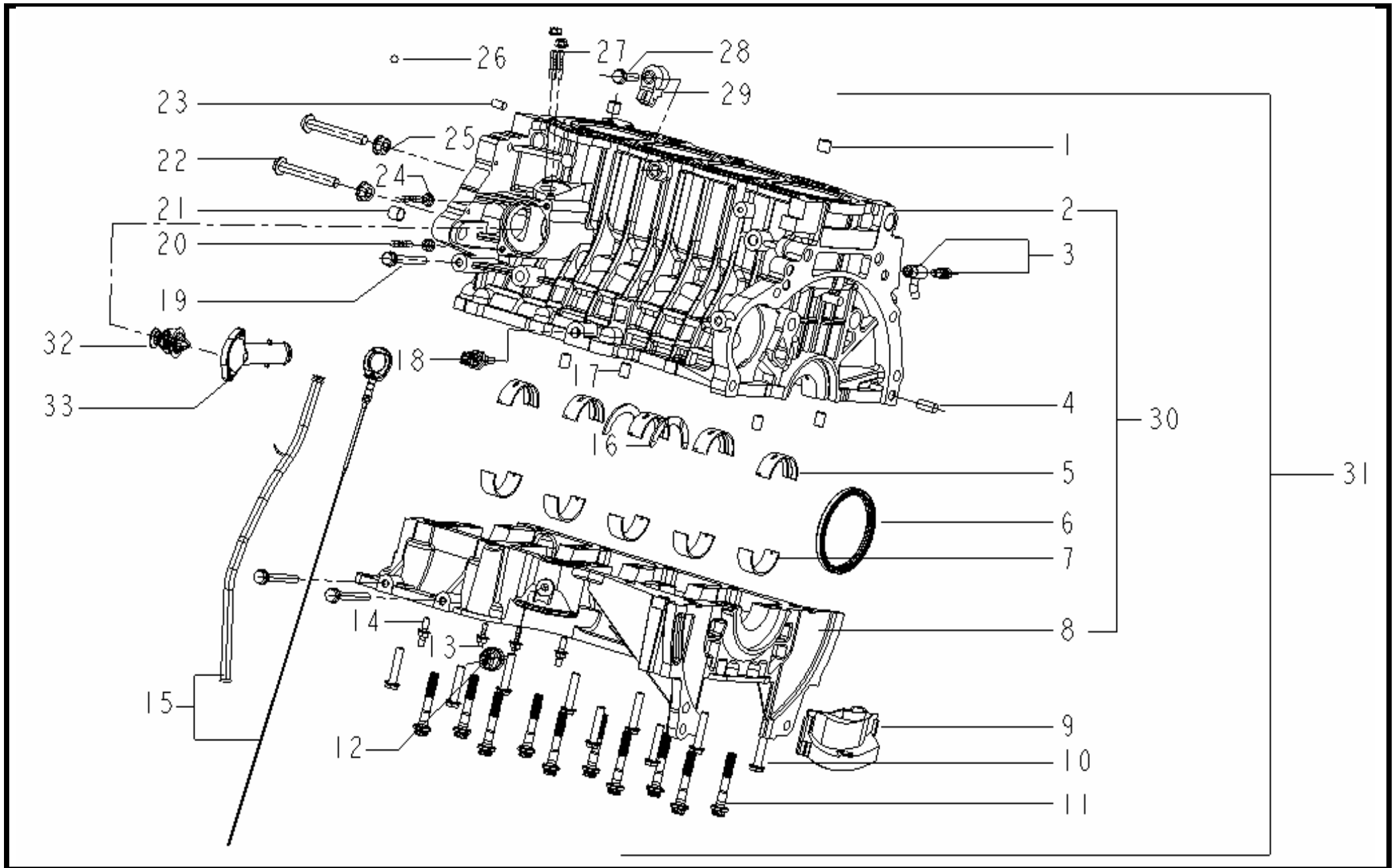
NO.	PART NO.	DES	QTY	REMARK	NO.	PART NO.	DES	QTY	REMARK
1		PETROL ENGINE ASSY.(JL4G18)	1						
2		ENGINE COVER FIXING BOLT 1	2						
3		CAP SHAPE NUT(M6)	2						
4		ENGINE PLASTIC COVER COMPONENTS	1						
5		ENGINE COVER FIXING BOLT 2	1						

## 2 ENGINE RIGHT MOUNTING BRACKET



NO.	PART NO.	DES	QTY	REMARK
1	113600013	ENGINE RIGHT MOUNTING BRACKET	1	
2		HEXAGON FLANGE BOLT(M10X1.25X55)	2	
3		HEXAGON FLANGE BOLT	1	

### 3 CYLINDER BLOCK ASSY.

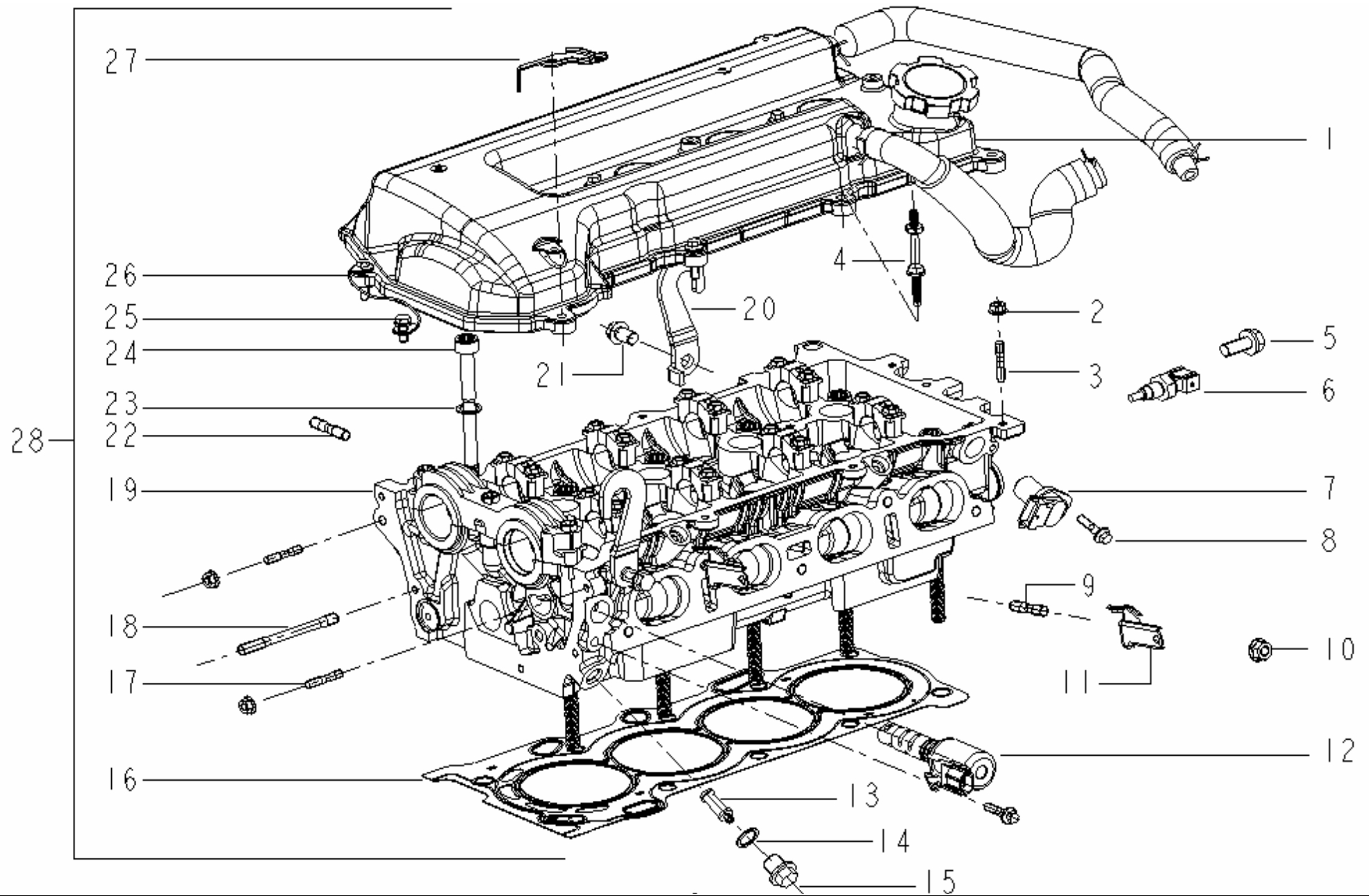


### 3 CYLINDER BLOCK ASSY.

NO.	PART NO.	DES	QTY	REMARK	NO.	PART NO.	DES	QTY	REMARK
1		PIN SHEATH FOR CYLINDER HEAD	2		26		STEEL BALL (9/32"0000G60b)	1	
2		CYLINDER BLOCK	1		27		DOUBLE END STUD(M6X20 )	2	
3	1136000155	DRAIN PLUG	1		28		HEXAGON FLANGE BOLT(M6X30)	1	
4		COLUMN PIN FOR TRANSMISSION CASE	2		29	E150040005	KNOCK SENSOR	1	
5	1136000014-01	MAIN BEARING FOR CRANKSHAFT(UPPER)	5		29	1086000787	KNOCK SENSOR	1	DELPHI
7		MAIN BEARING FOR CRANKSHAFT(LOWER)	5		30	1136000033	CYLINDER BLOCK & CRANKSHAFT CASE ASSY.	1	
6	1136000031	CRANKSHAFT REAR OIL SEAL	1		31		CYLINDER BLOCK ASSY.	1	
8		CRANKSHAFT CASE COMPONENTS	1		32	1136000156	THERMOSTAT ASSY.	1	
9	1136000025	DUSTPROOF PLATE FOR CRANKSHAFT CASE	1		33	1136000145	ENGINE WATER OUTLET HOSE JOINT	1	
10		HEXAGON FLANGE BOLT(M8x40)	10						
11	1136000017	MAIN BEARING CAP BOLT	10						
12	1136000185	OIL PRESSURE ALARM	1						
13		DOUBLE END STUD(M6X16)	2						
14		DOUBLE END STUD(M6X12)	2						
15	1136000032	OIL GAUGE COMPONENTS	1						
16	1136000016-01	CRANKSHAFT THRUST PATCH	2						
17		COLUMN PIN	4						
18	1086001088	OIL TEMPERATURE SENSOR	1						
19		HEXAGON HEAD BOLT & PLAIN WASHER ASSY. (M8X75)	3						
20		DOUBLE END STUD(M6X23)	2						
21		PIN SHEATH FOR TIMING CHAIN GUARD	1						
22		HEXAGON FLANGE BOLT(M10X72)	2						
23		COLUMN PIN FOR TIMING CHAIN GUARD	1						
24		HEXAGON FLANGE NUT(M6)	8						
25		HEXAGON FLANGE NUT(M10)	2						



# 4 CYLINDER HEAD ASSY.



## 4 CYLINDER HEAD ASSY.

NO.	PART NO.	DES	QTY	REMARK	NO.	PART NO.	DES	QTY	REMARK
1	1136000053	CYLINDER HEAD COVER	1		24	1136000034	CYLINDER HEAD BOLT	10	
2		HEXAGON FLANGE NUT	4		25		HEXAGON FLANGE BOLT( M10X20)	1	
3		DOUBLE END STUD(M6X23)	1		26		GROUND WIRE HARNESS	1	
4		DOUBLE END STUD COMPONENTS	1		27		WIRE HARNESS CLIP 4#	1	
5		HEXAGON HEAD BOLT & PLAIN WASHER ASSY.	2		28	1136000038-01	CYLINDER HEAD ASSY.	1	
6	1086001129	WATER TEMPERATURE SENSOR	1	EURO IV	28	1016050246	CYLINDER HEAD ASSY.	1	DELPHI
6	1086001163	WATER TEMPERATURE SENSOR	1	DELPHI					
7	1136000166	PHASE SENSOR	1						
7	1016050258	PHASE SENSOR	1	DELPHI					
8		HEXAGON FLANGE BOLT(M6X12)	1						
9		DOUBLE END STUD(M8X33)	2						
10		HEXAGON FLANGE NUT( M8)	2						
11		WIRE HARNESS CLIP 1-2#	2						
12	1136000089	ELECTROMAGNETIC VALVE SUB-ASSY.	1						
13	1136000121	OIL ROAD SIEVE SUBASSY.	1						
14		WASHER	1						
15	1136000119	CYLINDER HEAD OIL PLUG	1						
16	1136000058	CYLINDER HEAD GASKET	1						
17		DOUBLE END STUD(M6X41)	2						
18		DOUBLE END STUD(M8X74)	1						
19	1136000038-01	CYLINDER HEAD COMPONENTS	1						
20		ENGINE HOOK	2						
21		HEXAGON FLANGE BOLT(M8X21)	5						
22		DOUBLE END STUD(M10X16)	1						
23	1136000035	CYLINDER HEAD BOLT WASHER	10						

## 5 CYLINDER HEAD FIXING SUB-ASSY.

	NO.	PART NO.	DES	QTY	REMARK
	1	1136000034	COMBINATION BOLT	16	
	2		CAMSHAFT BEARING CAP	8	
	3		CYLINDER HEAD SUB-ASSY.	1	
	4	1136000042	HEATER WATER INLET PIPE	1	
	5	1136000041	ENGINE WATER OUTLET HOSE	1	
	6		THROTTLE WATER INLET WARM-UP PIPE	1	
	7		STEEL BALL	1	
	8	1136000057	INTAKE VALVE OIL SEAL	8	
	9		CAMSHAFT BEARING CAP ALIGNING PIN	2	
	10		CAMSHAFT FRONT BEARING CAP	1	
	11		COMBINATION BOLT 1#	3	
	12	1136000059	OUTLET VALVE OIL SEAL	8	
	13		PLUG	1	
	14		PLUG MAT	1	
	15	1136000038-01	CYLINDER HEAD COMPONENTS	1	

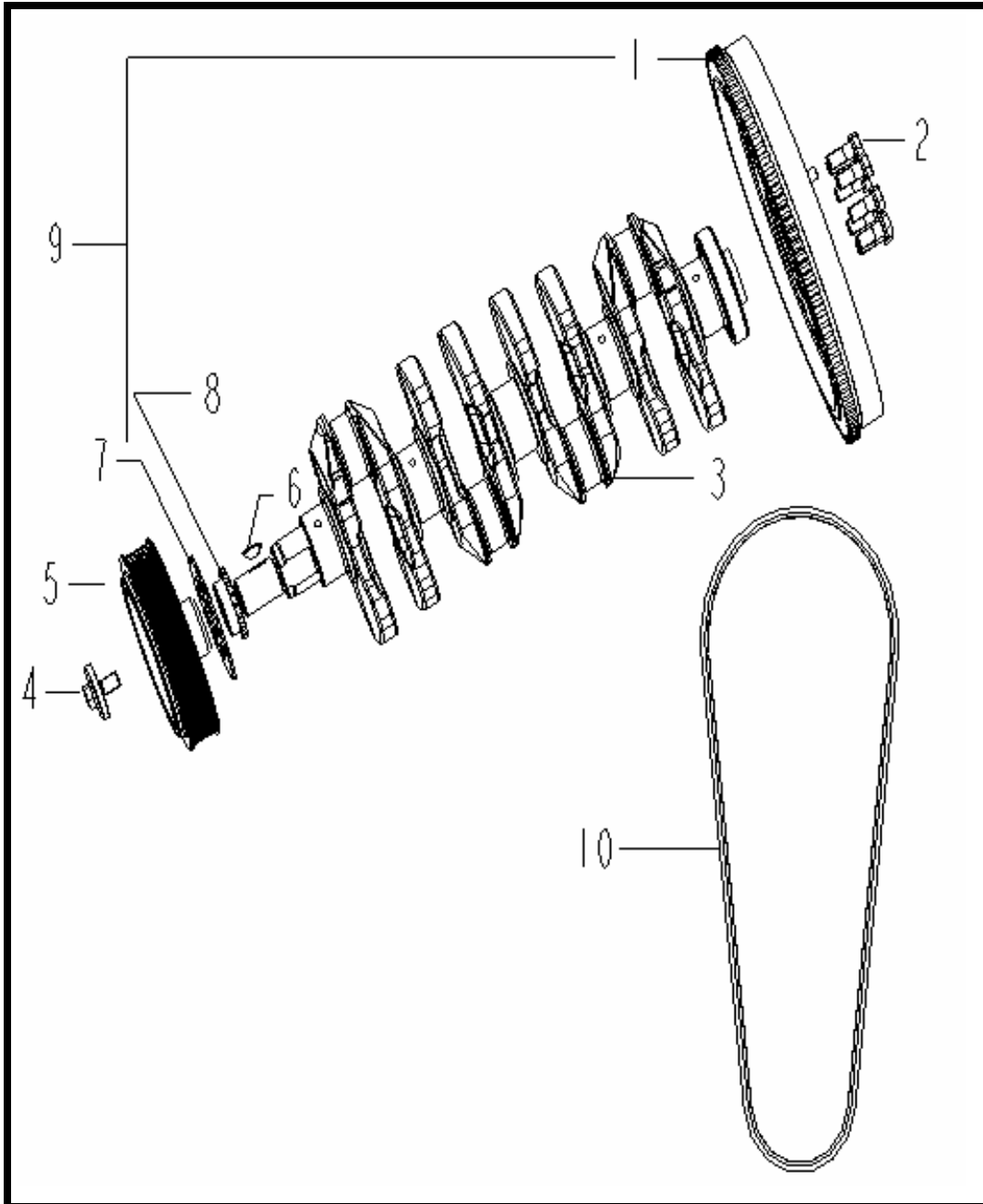
## 6 CYLINDER HEAD COVER COMPONENTS

	NO.	PART NO.	DES	QTY	REMARK
	1	1136000005	CYLINDER HEAD COVER	1	
	2		HEXAGON FLANGE BOLT(M6X25)	6	
	3	1136000056	OIL INJECTION CAP	1	
	4	1136000123	PCV VALVE	1	
	5		CLIP $\phi$ 13.5X1.6	1	
	6	1136000124	PVC HOSE I	1	
	6	1066001299	PVC HOSE I	1	DELPHI
	7		CLIP $\phi$ 18X1.6	1	
	8	1136000054	CYLINDER HEAD COVER GASKET	1	
	9		CLIP $\phi$ 21.5X1.6	2	
	10	1136000125	PCV HOSE II	1	
	11		CYLINDER HEAD COVER OIL BAFFLER SUB-ASSY.	1	
	12	1136000122	PCV PIPE	1	
	13		OIL BAFFLER GASKET	1	
	14	1136000061	COMBINATION WASHER	1	
	15		HEXAGON FLANGE BOLT(M6X12)	2	
	16		DOUBLE END STUD(M6X12)	1	
17	1136000053	CYLINDER HEAD COVER COMPONENTS	1		

# 7 PISTON CONNECTING ROD COMPONENTS

	NO.	PART NO.	DES	QTY	REMARK
	1		TOP COMPRESSION RING	4	
	2		SECOND COMPRESSION RING	4	
	3	1136000065-01	OIL RING SEGMENT	8	
	4		OIL RING EXP&ER	4	
	5		PIN	4	
	6		OIL RING COMPONENTS	4	
	7	1136000062	PISTON	4	
	8		PISTON PIN CLIP	8	
	9		CONNECTING ROD BODY	4	
	10		CONNECTING ROD ALIGNING PIN	8	
	11	1136000067-01	CONNECTING ROD BEARING	4	
	12		CONNECTING ROD CAP	4	
	13		CONNECTING ROD BOLT	8	
	14		CONNECTING ROD BUSHING	4	
	15	1136000063	PISTON PIN	4	
	16	1136000068	CONNECTING ROD COMPONENTS	4	
	17		PISTON CONNECTING ROD COMPONENTS	4	

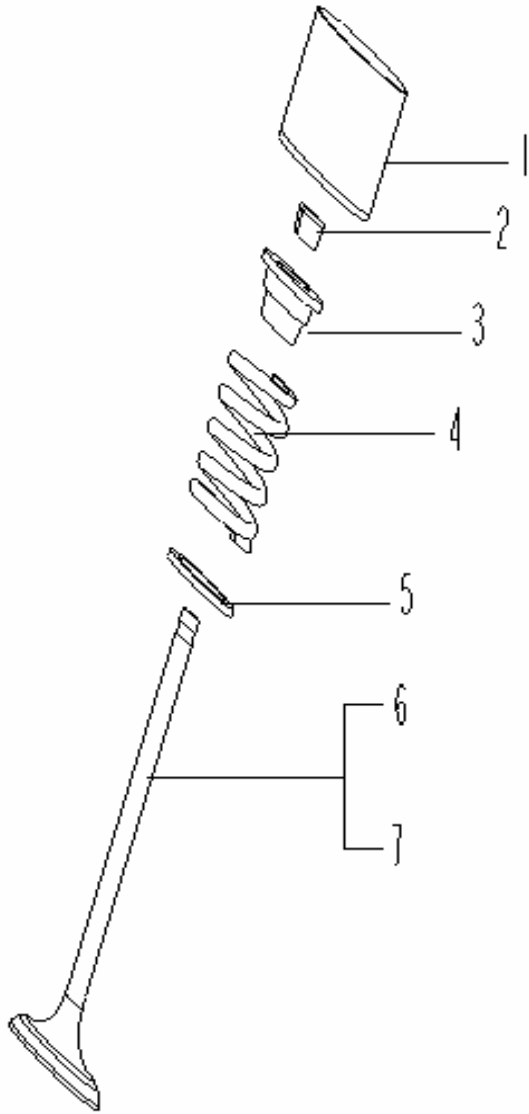
## 8 CRANKSHAFT FLYWHEEL COMPONENTS

	NO.	PART NO.	DES	QTY	REMARK
	1	1136000073	FLYWHEEL COMPONENTS (EIII)	1	
	1	113600007301	FLYWHEEL COMPONENTS(EIII+OBD)(EIV)		
	2	1136000071	FLYWHEEL BOLT	8	
	3	1136000070	CRANKSHAFT	1	
	4	1136000075	DAMPER PULLEY BOLT COMPONENTS	1	
	5	1136000072	DAMPER PULLEY COMPONENTS	1	
	6	Q5500416	SEMICIRCULAR SPLINE (4X6.5X $\phi$ 16)	1	
	7	1136000163	ROTATE SPEED SENSOR SIGNAL DISC	1	
	8	1136000076	CRANKSHAFT TIMING CHAIN PULLEY	1	
	9		CRANKSHAFT FLYWHEEL ASSY.	1	
	10	113600015701	DRIVE BELT(6PK1865)	1	

## 9 CAMSHAFT ASSY.

	NO.	PART NO.	DES	QTY	REMARK
	1		HEXAGON FLANGE NUT(M6)	3	
	2		DOUBLE END STUD(M6X23)	1	
	3	1136000081	TIMING CHAIN	1	
	4		FLANGE BOLT	1	
	5		CAMSHAFT SPROCKET BOLT	1	
	6		HEXAGON FLANGE BOLT(M6X25)	7	
	7	1136000084	TIMING CHAIN COVER(EIII)	1	
	7	1.136E+11	TIMING CHAIN COVER COMPONENT(EIII+OBD)(EIV)	1	
	8		HEXAGON FLANGE BOLT(M8X45)	3	
	9		HEXAGON FLANGE BOLT(M6X12)	1	
	10	2150030006	ROTATE SPEED SENSOR	1	
	11	1136000085	CRANKSHAFT FRONT OIL SEAL	1	
	12		HEXAGON FLANGE BOLT & PLAIN WASHER COMPONENTS	2	
	13	1136000083	CHAIN ORIENTED RAIL COMPONENTS	1	
	14	1136000086	CHAIN TENSIONER COMPONENTS	1	
	15		DOUBLE END STUD(M6X16)	2	
	16		CHAIN TENSIONER RAIL PIN SHAFT	1	
	17	1136000082	CHAIN TENSIONER RAIL COMPONENTS	1	
	18	1136000088	EXHAUST CAMSHAFT	1	
	19	1136000087	INTAKE CAMSHAFT	1	
	19	1016050278	INTAKE CAMSHAFT	1	DELPHI
	20	1136000077	EXHAUST CAMSHAFT SPROCKET	1	
21	1136000090	VVT CONTROLLER	1		
22		CAMSHAFT ASSY.	1		

## 10 INTAKE & OUTLET VALVE



NO.	PART NO.	DES	QTY	REMARK
1	1136000097	VALVE LIFTER	16	
2	1136000095	VALVE ADJUSTING SHIM	32	
3	1136000094	VALVE SPRING RETAINER	16	
4	1136000093	VALVE SPRING	16	
5	1136000096	VALVE SPRING WASHER	16	
6	1136000091	INTAKE VALVE	8	
7	1136000092	OUTLET VALVE	8	



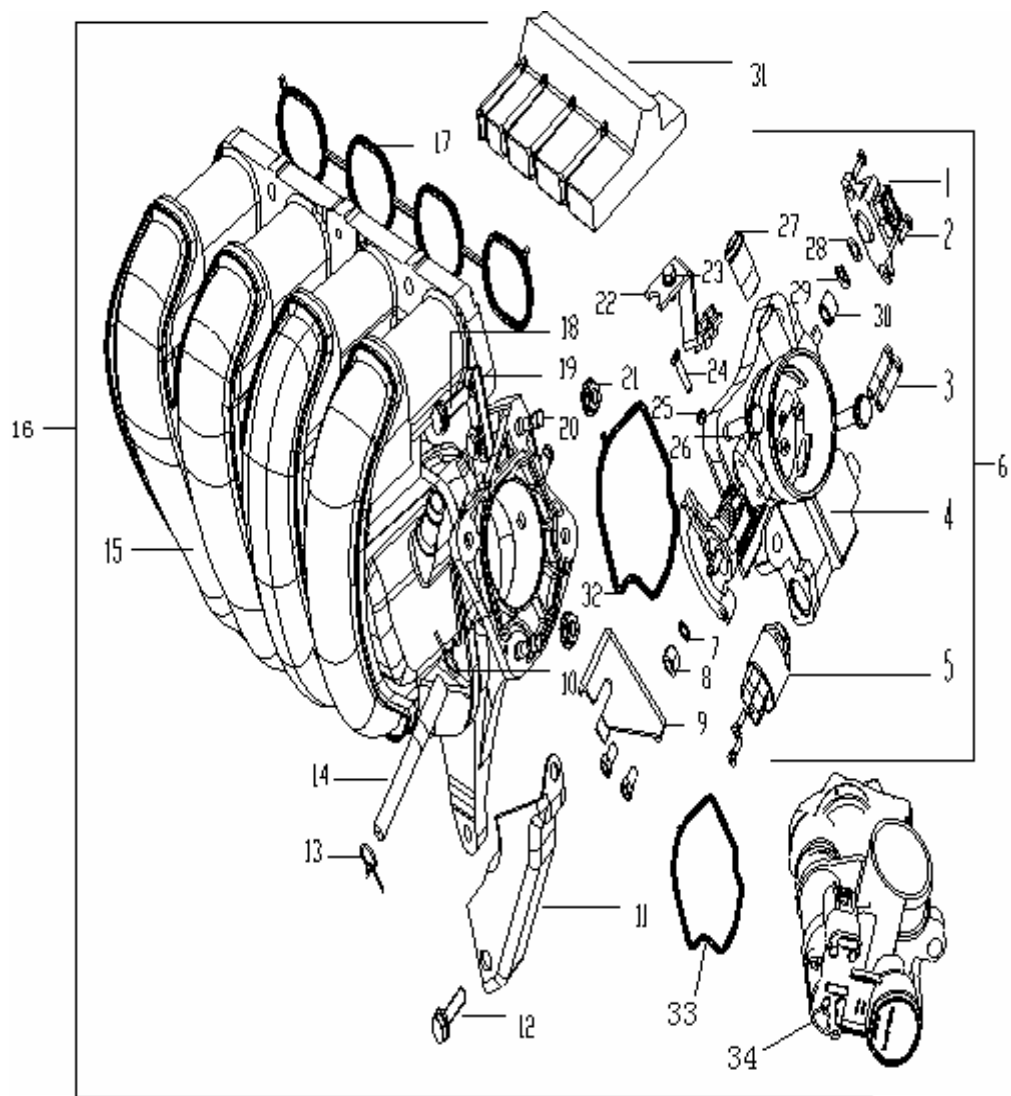
## 11 EXHAUST MANIFOLD ASSY.

	NO.	PART NO.	DES	QTY	REMARK
	1	1136000100	UPPER HEAT INSULATOR COVER COMPONENTS	1	
	2	1136000102	EXHAUST MANIFOLD GASKET COMPONENTS	1	
	3		HEXAGON HEAD BOLT & PLAIN WASHER COMPONENTS	3	
	4	1136000101	LOWER HEAT INSULATOR COVER COMPONENTS	1	
	5		WASHER	8	
	6		STEEL WIRE WASHER	16	
	7		BUSHING	6	
	8		EXHAUST MANIFOLD BRACKET	1	
	9		SQUARE NUT(M10)	1	
	10	1136000103	EXHAUST MANIFOLD BRACKET COMPONENTS	1	
	11	1136000098	EXHAUST PIPE OUTLET WASHER	1	
	12	1136000099	EXHAUST MANIFOLD COMPONENTS	1	
	13		BUSHING	2	
	14		HEXAGON HEAD BOLT & PLAIN WASHER COMPONENTS(M8X25)	8	
	15		EXHAUST MANIFOLD ASSY.	1	

## 12 INTAKE MANIFOLD ASSY.

	NO.	PART NO.	DES	QTY	REMARK
	1	E150070005	THROTTLE POSITION SENSOR	1	
	2		CROSS RECESSED PAN HEAD SCREW(M4X12)	4	
	3		STAINLESS STEEL TUBE 2	2	
	4	1136000211	THROTTLE	1	
	5	1136000170	STEPPER	1	
	6	1136000108-01	THROTTLE COMPONENTS	1	
	7		WASHER( $\phi$ 8)	1	
	8		NUT(M8)	1	
	9		ACCELERATION CABLE BRACKET	1	
	10		STEEL STRIP BOUNCY CLIP	1	
	11	1136000104	THROTTLE VALVE SUPPORT PLATE	1	
	12		HEXAGON HEAD BOLT & PLAIN WASHER COMPONENTS	1	
	13		METAL STRIP BOUNCY CLIP	1	
	14	1136000105	VACUUM PRESSURE HOSE	1	
	15	1136000106	INTAKE MANIFOLD COMPONENTS	1	
	16		INTAKE MANIFOLD ASSY.	1	
	16	1016050252	INTAKE MANIFOLD ASSY.	1	DELPHI
	17	1136000214	INTAKE MANIFOLD GASKET	1	
	18		HEXAGON HEAD BOLT & PLAIN WASHER COMPONENTS	3	
	19	1136000107	REINFORCEMENT PLATE	1	
	20		DOUBLE END STUD(M8X39)	2	
	21		HEXAGON FLANGE NUT	2	
22	1136000109	INTAKE PRESSURE SENSOR BRACKET COMPONENTS	1		
		1136000168	INTAKE PRESSURE SENSOR	1	
		1136000172	INTAKE TEMPERATURE SENSOR	1	

## 12 INTAKE MANIFOLD ASSY.



NO.	PART NO.	DES	QTY	REMARK
23	5907414-0616	HEXAGON HEAD BOLT & PLAIN WASHER COMPONENTS	6	
24		ADJUST NUT	1	
25		NUT(M5)	1	
26	5907414-0845-4-1	HEXAGON HEAD BOLT & PLAIN WASHER COMPONENTS	2	
27		STAINLESS STEEL TUBE 1	1	
28		WASHER	1	
29		WASHER $\phi$ 7	1	
30		NEEDLE BEARING	2	
31		DAMPING WASHER	1	
32	2100820481	THROTTLE VALVE SEAL	1	
33		ELECTRON THROTTLE SEAL	1	DRLPHI
34	1016050250	COMPONENTS,ELECTRON THROTTLE	1	DELPHI
	1016050260	AIR INTAKE PRESSURE TEMPERATURE SENSOR	1	DELPHI

### 13 OIL PAN ASSY.

	NO.	PART NO.	DES	QTY	REMARK
	1		OIL PAN ASSY.	1	
	2	1136000112	OIL PAN COMPONENTS	1	
	3		HEXAGON BOLT & PLAIN WASHER COMPONENTS(M6X12)	14	
	4	1136000111	OIL DRAIN PLUG WASHER	1	
	5	1136000110	OIL DRAIN PLUG	1	

## 14 OIL STRAINER ASSY.

	NO.	PART NO.	DES	QTY	REMARK
	1		HEXAGON FLANGE BOLT(M6X10)	1	
	2	1136000113	OIL STRAINER ASSY.	1	
	3	1136000114	OIL STRAINER GASKET	1	

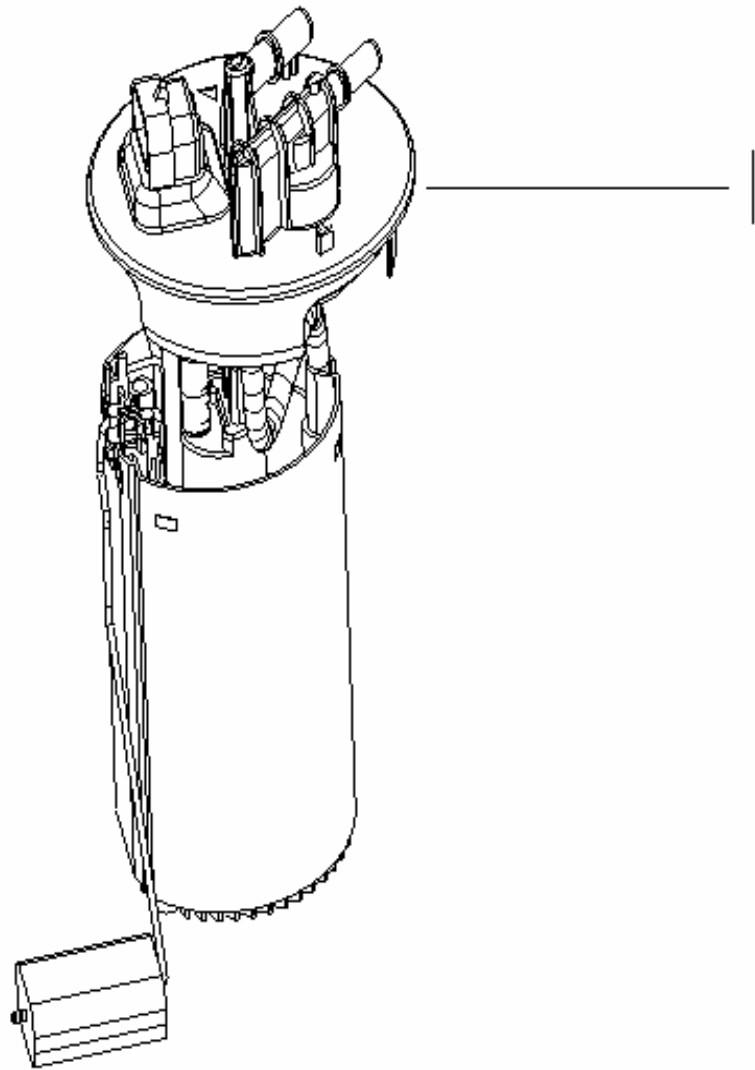
## 15 OIL PUMP ASSY.

	NO.	PART NO.	DES	QTY	REMARK
	1		HEXAGON FLANGE BOLT(M6X35)	5	
	2		OIL PUMP BODY	1	
	3		OIL PUMP PRESSURE RELIEF VALVE PLUGGER	1	
	4		OIL PUMP PRESSURE RELIEF VALVE SPRING	1	
	5		OIL PUMP PRESSURE RELIEF VALVE NUT	1	
	6		OUTER ROTOR	1	
	7		INNER ROTOR	1	
	8		OIL PUMP BODY COVER	1	
	9		CROSS DEEP HEAD SCREW(M6X16)	3	
	10	1136000116	OIL PUMP WASHER	1	
	11	1136000115	OIL PUMP COMPONENTS	1	
	12	1136000185	OIL PUMP ASSY. OIL TEMPERATURE SENSOR	1	

## 16 OIL FILTER ASSY.

	NO.	PART NO.	DES	QTY	REMARK
	1	1136000118	OIL FILTER COMPONENTS	1	
	2	1136000117	OIL FILTER CONNECTING	1	
	3		OIL FILTER ASSY.	1	

# 17 FUEL PUMP ASSY.

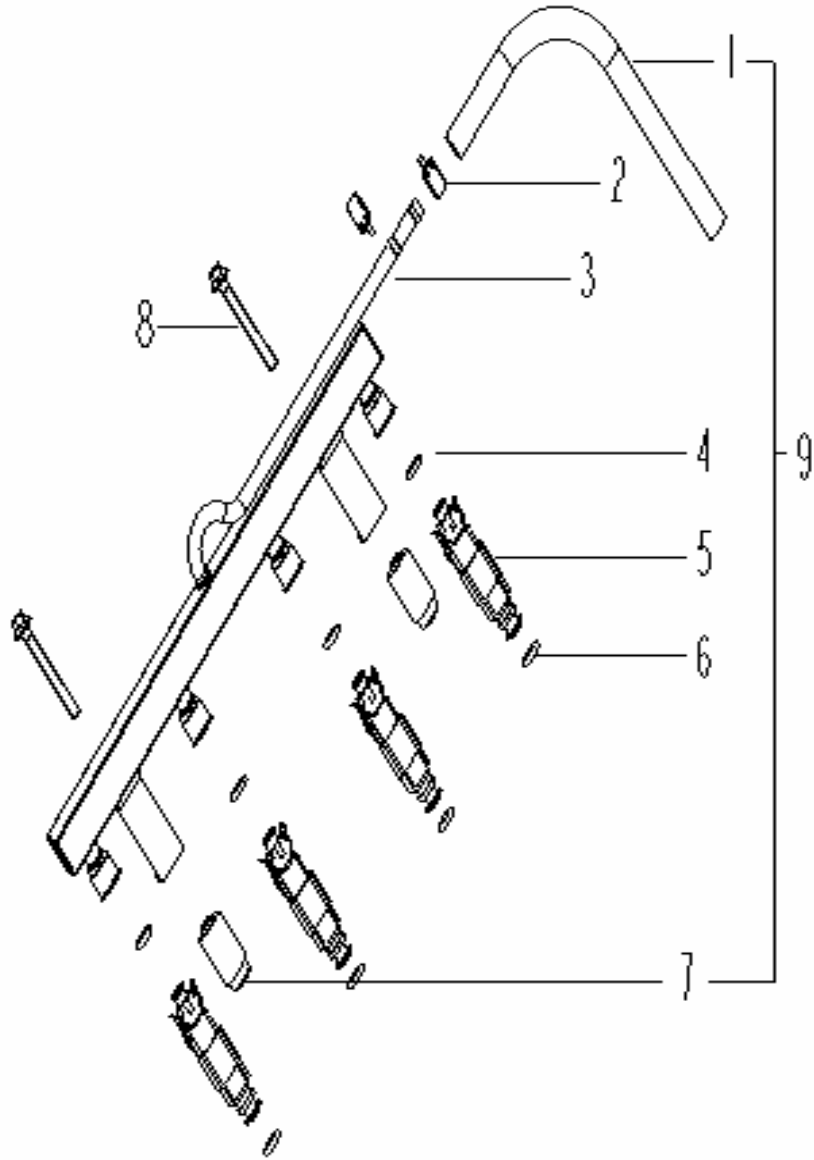


NO.	PART NO.	DES	QTY	REMARK
1	1136000126	FUEL PUMP ASSY.	1	



# 18 FUEL INJECTOR ASSY.

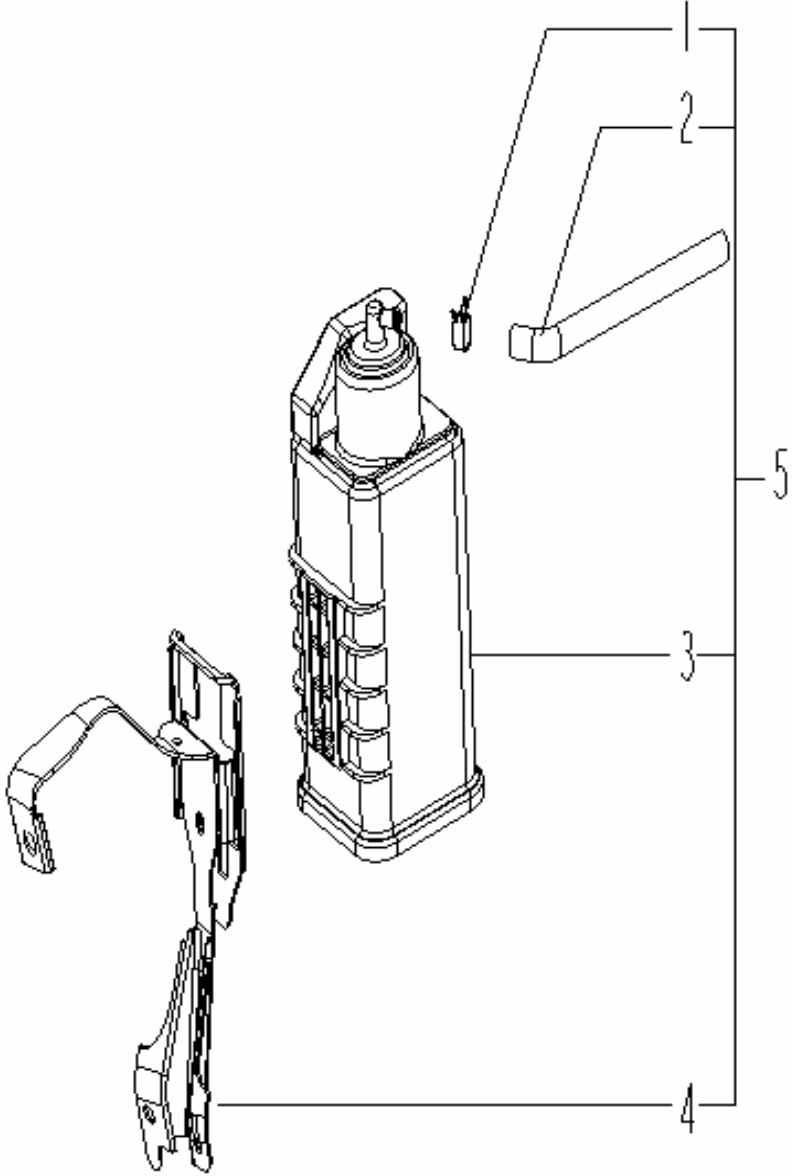
NO.	PART NO.	DES	QTY	REMARK
1	1136000129	FUEL HOSE	1	
2		CLIP	2	
3		FUEL ORBIT COMPONENTS	1	
4		FUEL INJECTOR SEAL I	4	
5		FUEL INJECTOR COMPONENTS	4	
6		FUEL INJECTOR SEAL II	4	
7	1136000128	FUEL ORBIT ALIGNING PIN	2	
8		HEXAGON FLANGE BOLT(M6X50)	2	
9	1136000127	FUEL INJECTOR ASSY.	1	
9	1016050253	FUEL INJECTOR ASSY.	1	DELPHI



## 19 CANISTER CANISTER ASSY.

NO.	PART NO.	DES	QTY	REMARK
1		STEEL STRIP BOUNCY CLIP	2	
2		CONNECTING HOSE	1	
3		CANISTER CONTROL COMPONENTS	1	
4	1136000133	CANISTER CONTROL FIXING BRACKET	1	
5	1136000132	CHARCOAL CANISTER ASSY.	1	

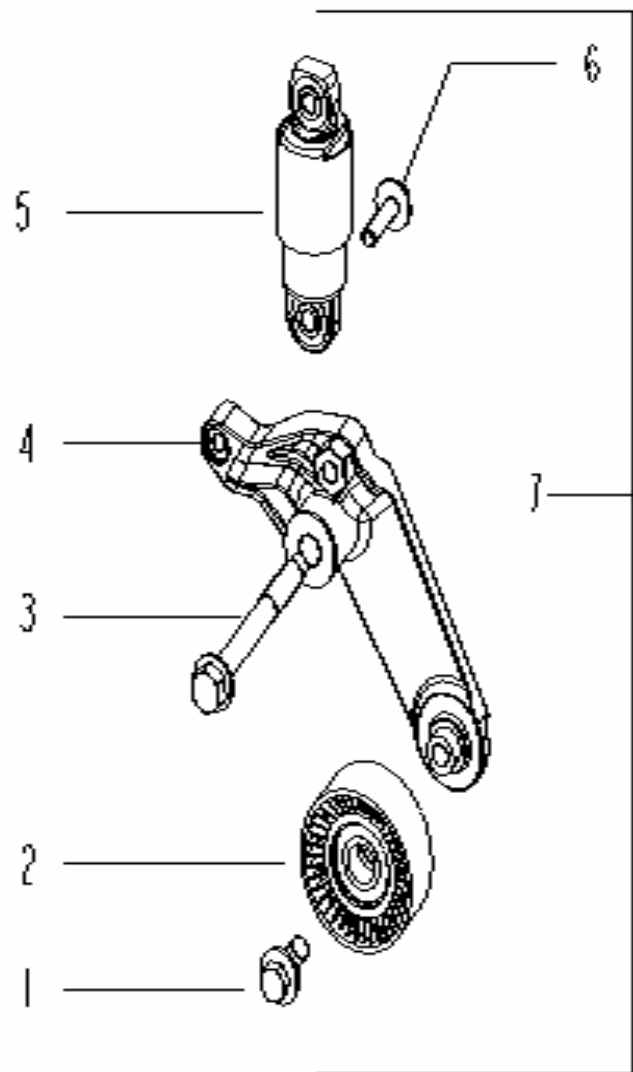
  



## 20 HEATER INLET & OUTLET PIPE COMPONENTS

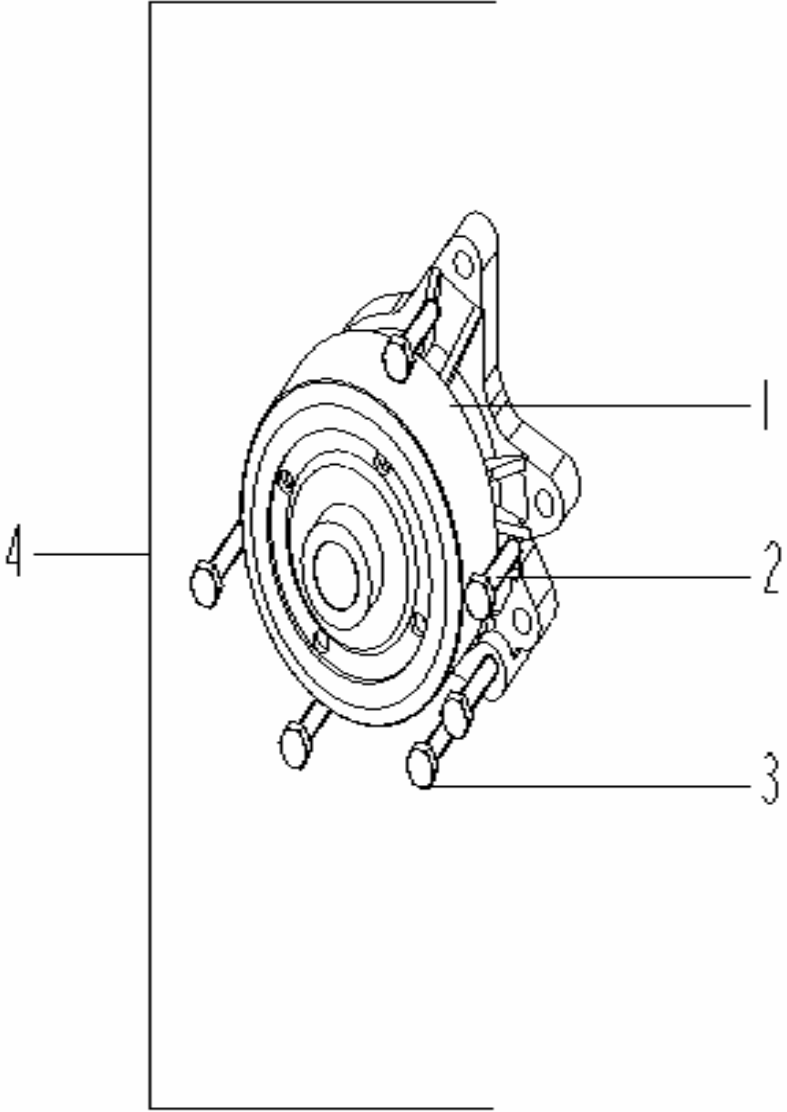
	NO.	PART NO.	DES	QTY	REMARK
	1		STEEL STRIP BOUNCY CLIP	4	
	2	1136000138	HEATER INLET HOSE	1	
	3		HOSE I	1	
	4		STEEL STRIP DOUBLE RING BOUNCY CLIP	4	
	5		STEEL STRIP DOUBLE RING BOUNCY CLIP	1	
	6	1136000147	HOSE II	1	
	7	1136000148	HOSE III	1	
	8		HEXAGON FLANGE BOLT (M6X14)	1	
	9	1136000137	HEATER OUTLET HOSE WASHER	2	
	10	1136000136	HEATER OUTLET HOSE COMPONENTS	1	
	10	1016050921	HEATER OUTLET HOSE COMPONENTS	1	DELPHI
11	1136000144	HEATER OUTLET HOSE	1		

## 21 DRIVE BELT TENSIONER ASSY.



NO.	PART NO.	DES	QTY	REMARK
1		TENSION PULLEY BOLT	1	
2		TENSION PULLEY COMPONENTS	1	
3		TENSIONER BOLT (M12X106)	1	
4		TENSIONER BRACKET COMPONENTS	1	
5		TENSIONER COMPONENTS	1	
6		TENSIONER COMPONENTS BOLT (M8X30)	1	
7	1136000149	DRIVE BELT TENSIONER ASSY.	1	

## 22 WATER PUMP ASSY.

	NO.	PART NO.	DES	QTY	REMARK
	1		WATER PUMP COMPONENTS	1	
	2		HEXAGON FLANGE BOLT(M6X35)	4	
	3		HEXAGON FLANGE BOLT(M6X28)	2	
	4	1136000158	WATER PUMP ASSY.	1	
		1136000208	WATER PUMP SEAL RING	1	

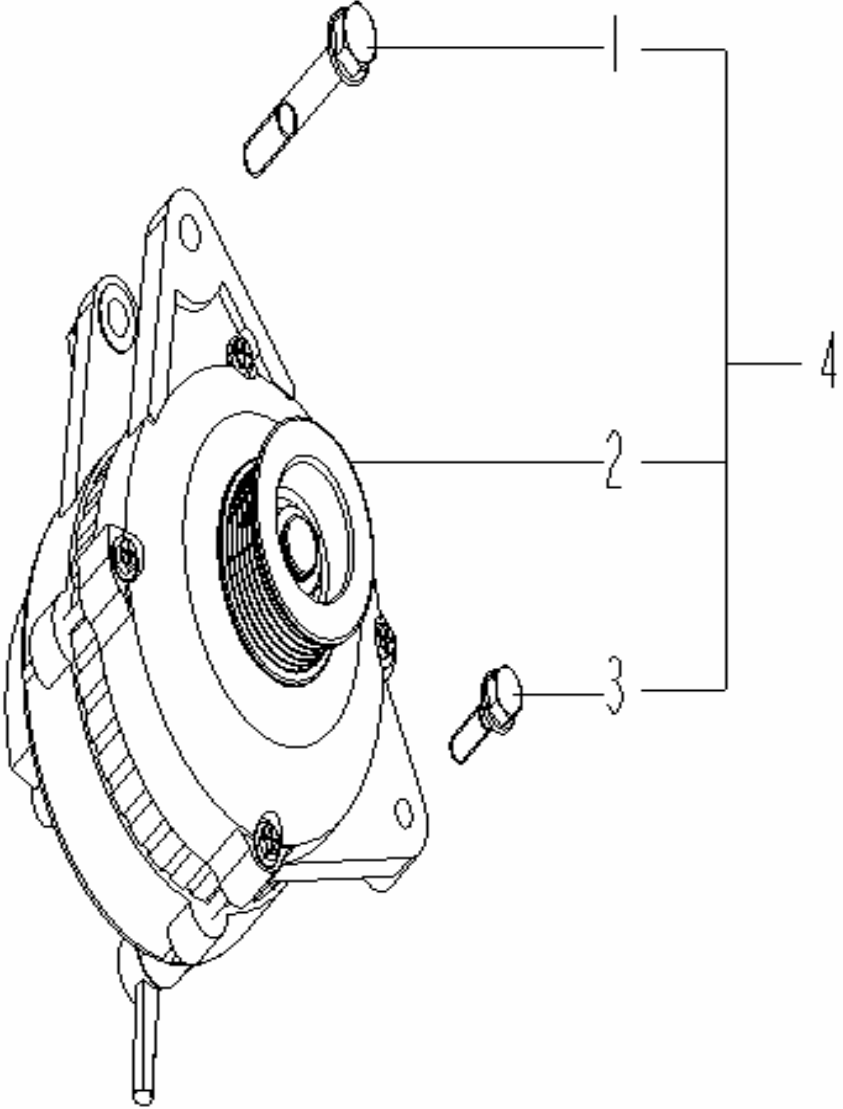
## 23 CLUTCH ASSY.

	NO.	PART NO.	DES	QTY	REMARK
	1	1136000161	CLUTCH DRIVEN PLATE ASSY.	1	
	2	1136000160	CLUTCH PRESSURE PLATE ASSY.	1	
	3	1136000159	CLUTCH BOLT(M8X15)	6	
	4		CLUTCH ASSY.	1	

## 24 ALTERNATOR COMPONENTS

NO.	PART NO.	DES	QTY	REMARK
1		HEXAGON FLANGE BOLT(M8X30)	1	
2	1136000174	ALTERNATOR	1	
3		HEXAGON FLANGE BOLT(M10X1.25X72)	1	
4		ALTERNATOR COMPONENTS	1	

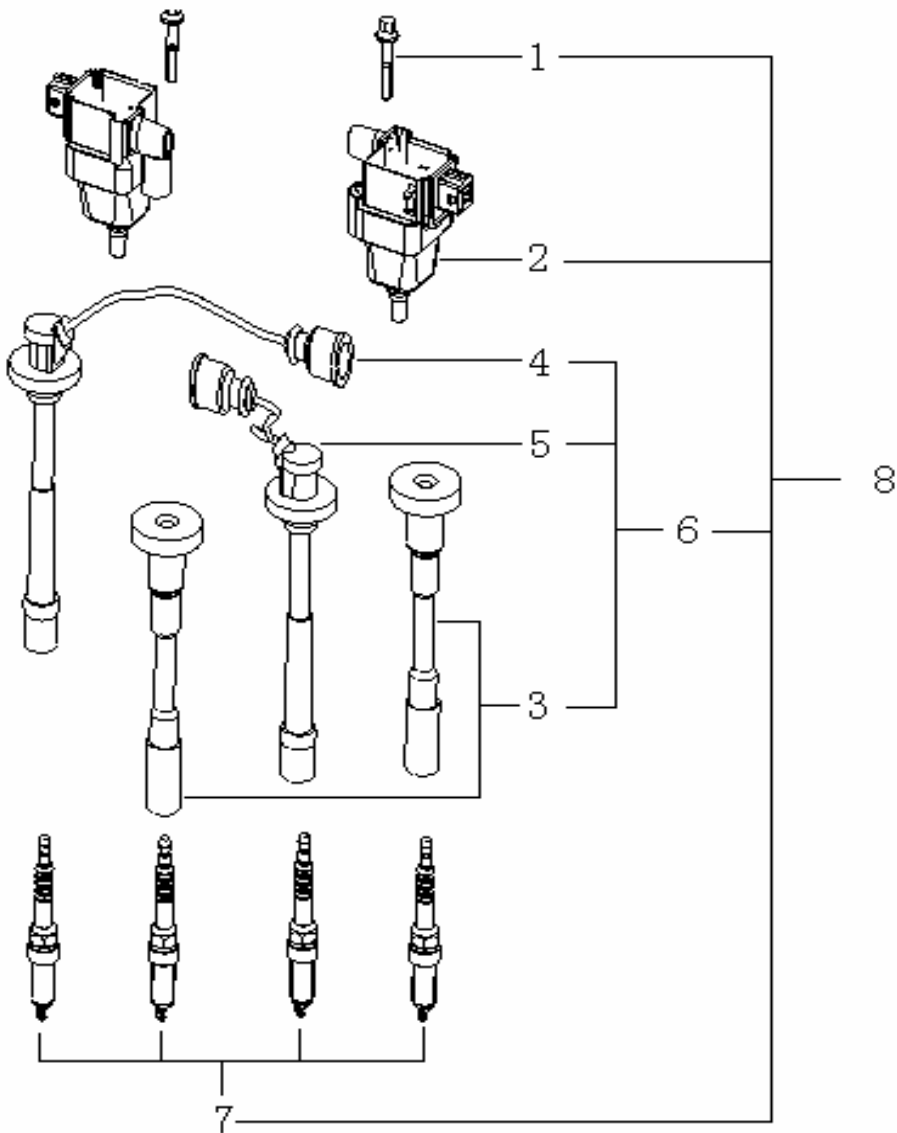
  



The diagram shows an exploded view of an alternator assembly. Callout 1 points to a hexagonal flange bolt (M8x30) located at the top of the assembly. Callout 2 points to the main alternator unit. Callout 3 points to a hexagonal flange bolt (M10x1.25x72) located at the bottom of the assembly. Callout 4 points to the entire alternator assembly, including the main unit and the two bolts.

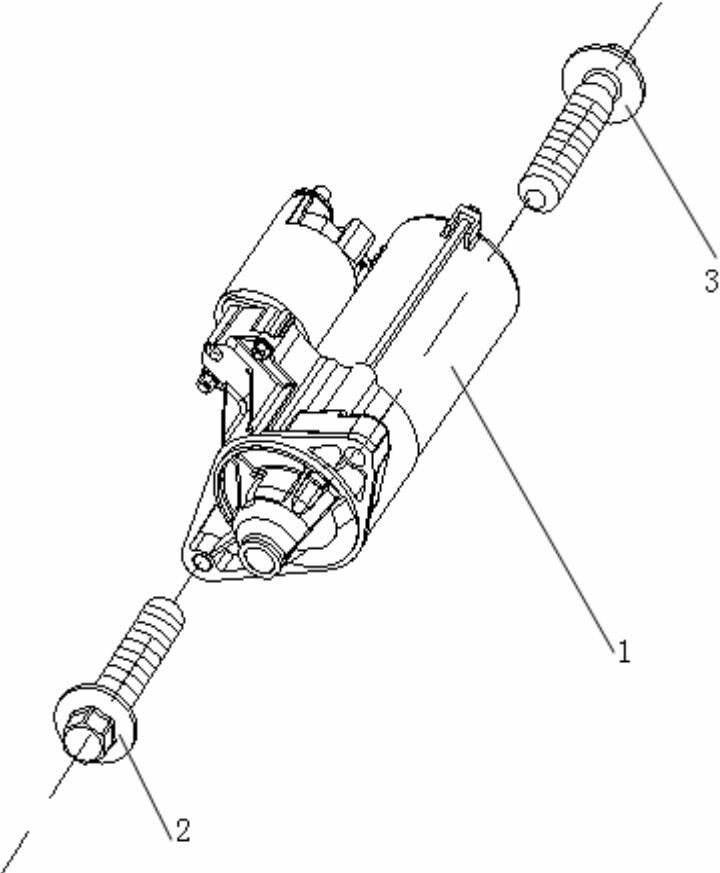
## 25 IGNITION COIL ASSY.

NO.	PART NO.	DES	QTY	REMARK
1		HEXAGON FLANGE BOLT(M6X25)	2	
2	1136000417	IGNITION COIL	2	
2	1016050265	IGNITION COIL	2	DELPHI
3	1136000176	ANTI-INTERFERENCE IGNITION WIRE I	1	
4	1136000177	ANTI-INTERFERENCE IGNITION WIRE II	1	
5	1136000178	ANTI-INTERFERENCE IGNITION WIRE III	1	
6	1136000176-01	ANTI-INTERFERENCE IGNITION WIRE COMPONENT	1	
7	1136000179	SPARK PLUG(K6RTC)	1	
8	1136000422	IGNITION COIL MOUNTING BRACKET	1	





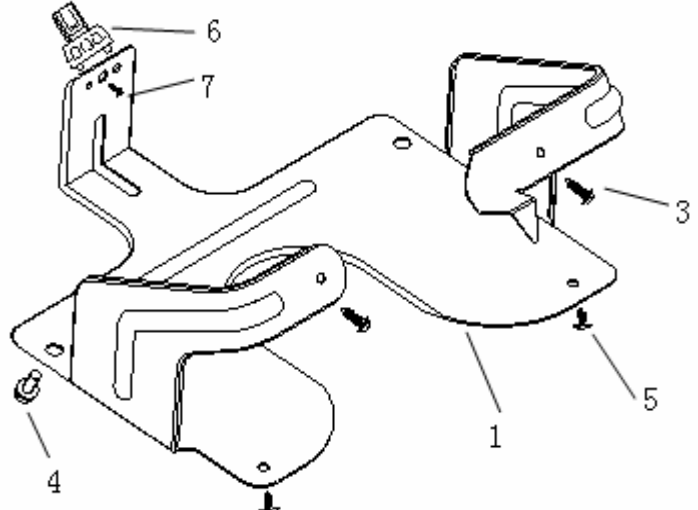
## 26 STARTER ASSY.

	NO.	PART NO.	DES.	QTY	REMARK
	1	1136000180	STARTER	1	
	2		HEXAGON HEAD BOLT & SPRING WASHER ASSY.	1	M10x1.25x60
	3		HEXAGON HEAD BOLT & SPRING WASHER ASSY.	1	M10x1.25x80

## 27 ENGINE WIRING HARNESS

	NO.	PART NO.	DES.	QTY	REMARK
	1	113600018101	ENGINE WIRING HARNESS(EUR III+OBD)	1	4G18
	1	1067002402	ENGINE WIRING HARNESS	1	DELPHI
	2	1136000135	OXYGEN SENSOR WIRING HARNESS(EUR III)	1	
	3	1086001114	FRONT OXYGEN SENSOR(EUR IV+OBD)	1	4G18
	3	1086000727	FRONT OXYGEN SENSOR	1	DELPHI
	4	1066001099	REAR OXYGEN SENSOR	1	DELPHI
	4	1136000204	REAR OXYGEN SENSOR(EUR III+OBD)	1	4G18

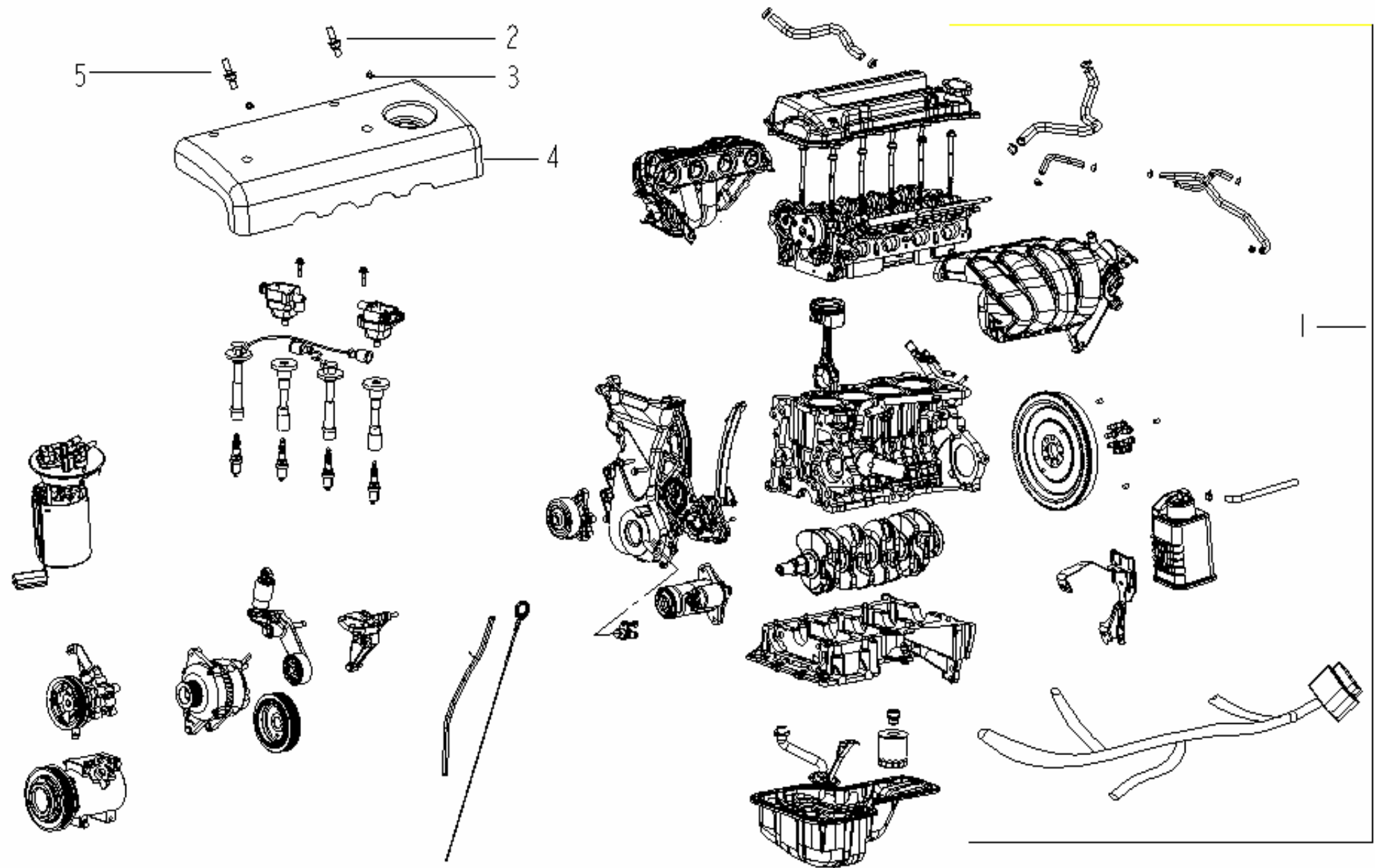
## 28 ECU

	NO.	PART NO.	DES.	QTY	REMARK
	1	106700011	ECU BRACKET ASSY.	1	4G18
	2	1136000169	ECU ASSY.(JL4G18)	1	
	2	113600016901	ECU ASSY.(JL4G18)OBD	1	BEFORE 2007.11
	2	113600016901-01	ECU ASSY.(JL4G18)OBD	1	AFTER 2007.11
	2	1066001102	ECU ASSY.(JL4G18)		DELPHI
	3		HEXAGON FLANGE BOLT	2	ST4.8X13
	4		HEXAGON HEAD BOLT AND WASHER ASSY.	4	M6x18
	5		FRONT WALL HEAT INSULATION MAT SNAP FASTENRT	2	
	6	106700013	ECU BRACKET CLIP	1	
	7		CROSS HEAD BOLT ST4.2x16	1	

# CONTENT

			PAGE				PAGE
1	PETROL ENGINE ASSY.(JL4G15)		1	15	15 OIL PUMP ASSY.		18
2	ENGINE RIGHT MOUNTING BRACKET		2	16	16 OIL FILTER ASSY.		19
3	CYLINDER BLOCK ASSY.		3	17	17 FUEL PUMP ASSY.		20
4	CYLINDER HEAD ASSY.		5	18	18 FUEL INJECTOR ASSY.		21
5	CYLINDER HEAD FIXING SUBASSY.		7	19	19 CHARCOAL CANISTER ASSY.		22
6	6 CYLINDER HEAD COVER COMPONENTS		8	20	20 HEATER INLET & OUTLET PIPE COMPONENTS		23
7	7 PISTON CONNECTING ROD COMPONENTS		9	21	21 DRIVE BELT TENSIONER ASSY.		24
8	8 CRANKSHAFT FLYWHEEL COMPONENTS		10	22	22 WATER PUMP ASSY.		25
9	9 CAMSHAFT ASSY.		11	23	23 CLUTCH ASSY.		26
10	10 INTAKE & OUTLET VALVE		12	24	24 ALTERNATOR COMPONENTS		27
11	11 EXHAUST MANIFOLD ASSY.		13	25	25 IGNITION COIL ASSY.		28
12	12 INTAKE MANIFOLD ASSY.		14	26	26 STARTER COMPONENTS		29
13	13 OIL PAN ASSY.		16	27	27 PETROL ENGINE ASSY.(JL4G15)		30
14	14 OIL STRAINER ASSY.		17				

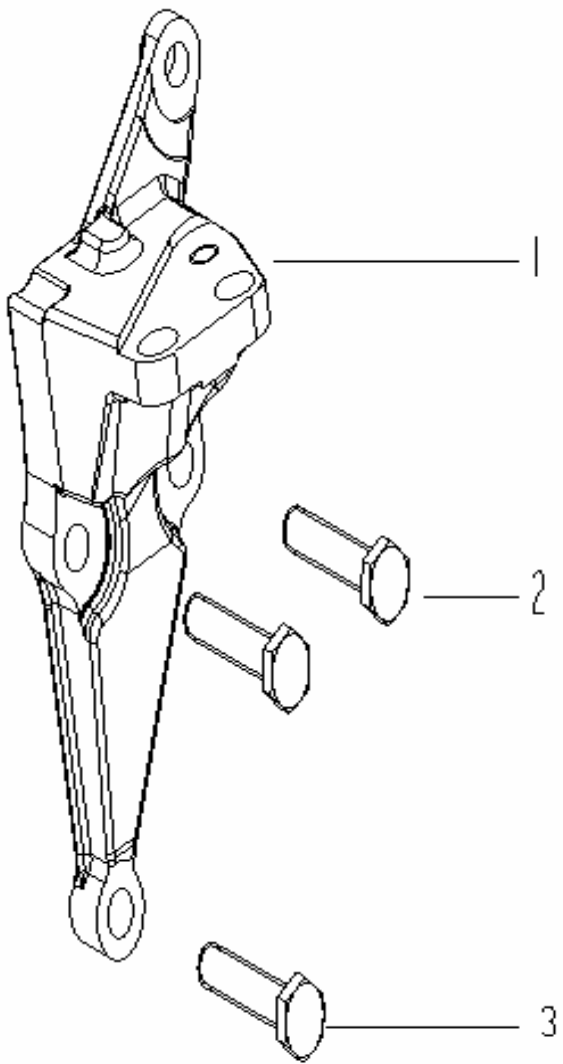
# 1 PETROL ENGINE ASSY.(JL4G15)



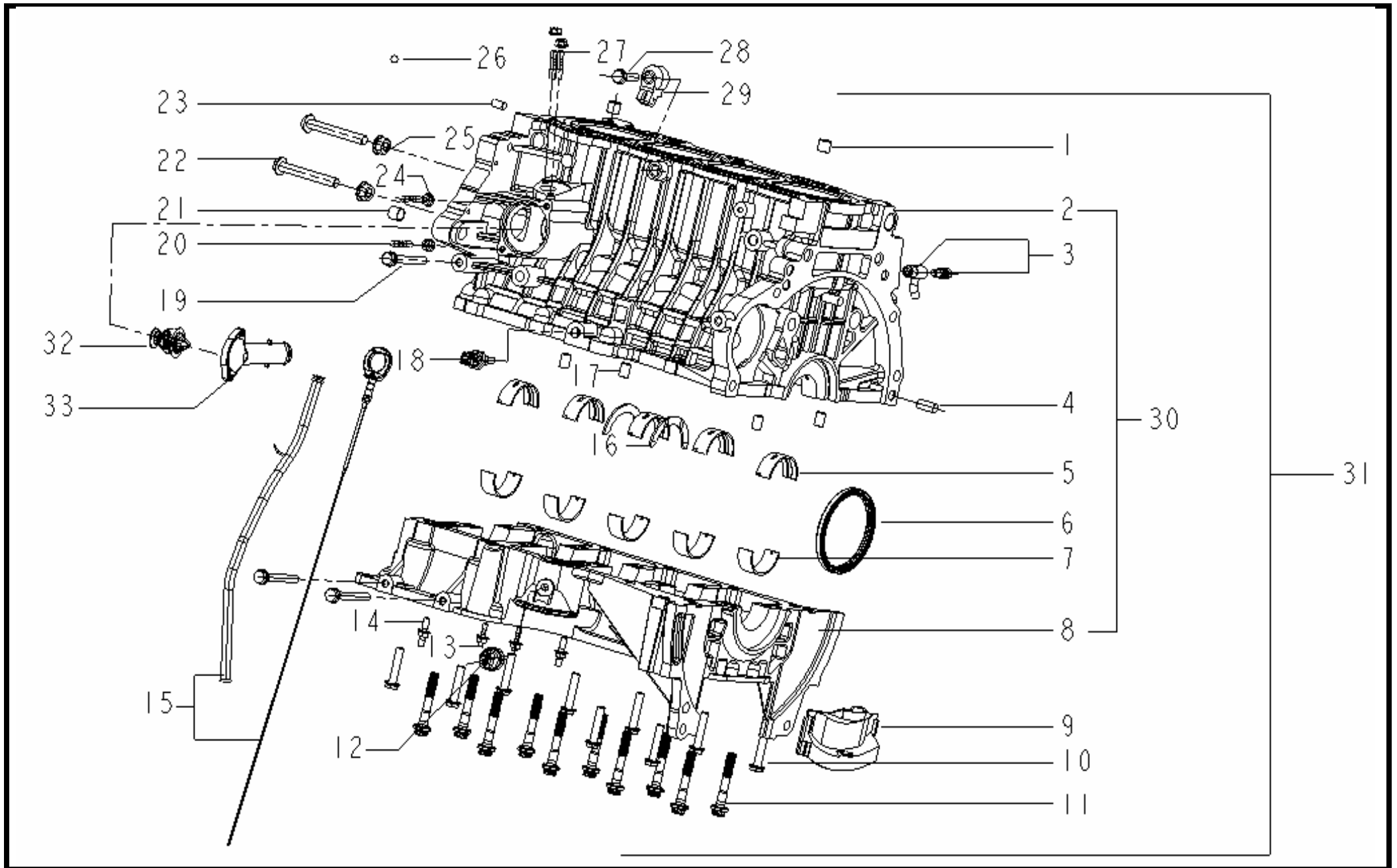
## 1 PETROL ENGINE ASSY.(JL4G15)

NO.	PART NO.	DES	QTY	REMARK	NO.	PART NO.	DES	QTY	REMARK
1	1136000401	PETROL ENGINE ASSY.(JL4G15D)	1	HITACHI					
1	1066001024	PETROL ENGINE ASSY.(JL4G15E) EIV	1	DELPHI					
2	1136000002	ENGINE COVER FIXING BOLT 1	2						
3	1136000003	CAP SHAPE NUT(M6)	2						
4	1136000005	ENGINE PLASTIC COVER COMPONENTS	1						
5	1136000004	ENGINE COVER FIXING BOLT 2	1						

## 2 ENGINE RIGHT MOUNTING BRACKET

	NO.	PART NO.	DES	QTY	REMARK
	1	113600013	ENGINE RIGHT MOUNTING BRACKET	1	
	2		HEXAGON FLANGE BOLT(M10X1.25X55)	2	
	3		HEXAGON FLANGE BOLT	1	

### 3 CYLINDER BLOCK ASSY.

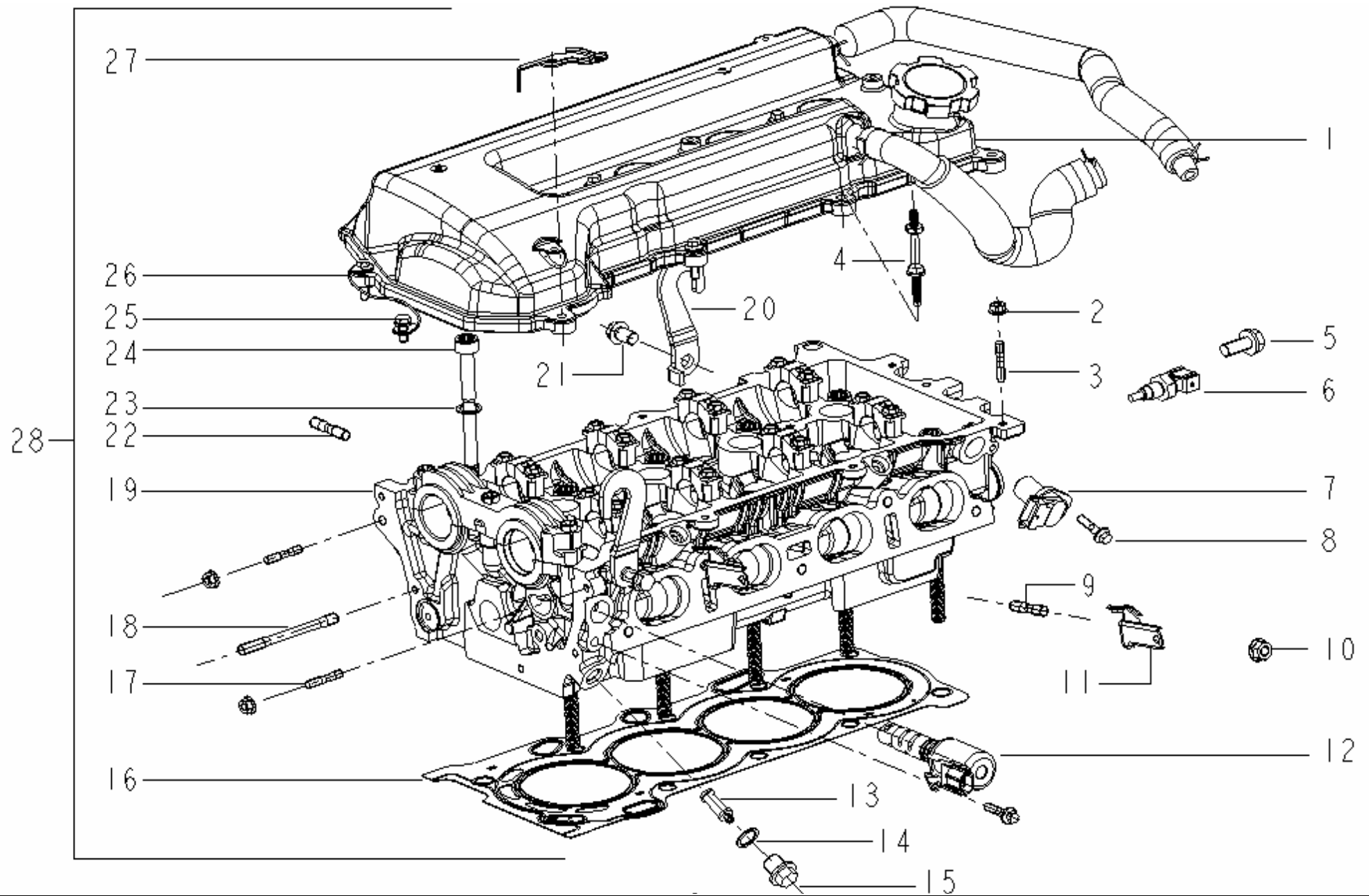




### 3 CYLINDER BLOCK ASSY.

NO.	PART NO.	DES	QTY	REMARK	NO.	PART NO.	DES	QTY	REMARK
1		PIN SHEATH FOR CYLINDER HEAD	2		26		STEEL BALL (9/32"0000G60b)	1	
2		CYLINDER BLOCK	1		27		DOUBLE END STUD(M6X20 )	2	
3	1136000155	DRAIN PLUG	1		28		HEXAGON FLANGE BOLT(M6X30)	1	
4		COLUMN PIN FOR TRANSMISSION CASE	2		29	1136000414	KNOCK SENSOR	1	
5		MAIN BEARING FOR CRANKSHAFT(UPPER)	5		29	1086000787	KNOCK SENSOR	1	DELPHI
7	1136000014	MAIN BEARING FOR CRANKSHAFT(LOWER)	5		30	1136000304	CYLINDER BLOCK & CRANKSHAFT CASE ASSY.	1	
6	1136000031	CRANKSHAFT REAR OIL SEAL	1		31		CYLINDER BLOCK ASSY.	1	
8	1136000304	CRANKSHAFT CASE COMPONENTS	1		32	1136000156	THERMOSTAT ASSY.	1	
9	1136000025	DUSTPROOF PLATE FOR CRANKSHAFT CASE	1		33	1136000145	ENGINE WATER OUTLET HOSE JOINT	1	
10		HEXAGON FLANGE BOLT(M8x40)	10						
11	1136000017	MAIN BEARING CAP BOLT	10						
12	1136000185	OIL PRESSURE ALARM	1						
13		DOUBLE END STUD(M6X16)	2						
14		DOUBLE END STUD(M6X12)	2						
15	1136000032	OIL GAUGE COMPONENTS	1						
16	1136000016-01	CRANKSHAFT THRUST PATCH	2						
17		COLUMN PIN	4						
18	1086001088	OIL TEMPERATURE SENSOR	1						
19		HEXAGON HEAD BOLT & PLAIN WASHER ASSY. (M8X75)	3						
20		DOUBLE END STUD(M6X23)	2						
21		PIN SHEATH FOR TIMING CHAIN GUARD	1						
22		HEXAGON FLANGE BOLT(M10X72)	2						
23		COLUMN PIN FOR TIMING CHAIN GUARD	1						
24		HEXAGON FLANGE NUT(M6)	8						
25		HEXAGON FLANGE NUT(M10)	2						

# 4 CYLINDER HEAD ASSY.



## 4 CYLINDER HEAD ASSY.

NO.	PART NO.	DES	QTY	REMARK	NO.	PART NO.	DES	QTY	REMARK
1	1136000404	CYLINDER HEAD COVER	1		24	1136000034	CYLINDER HEAD BOLT	10	
2		HEXAGON FLANGE NUT	4		25		HEXAGON FLANGE BOLT( M10X20)	1	
3		DOUBLE END STUD(M6X23)	1		26		GROUND WIRE HARNESS	1	
4		DOUBLE END STUD COMPONENTS	1		27		WIRE HARNESS CLIP 4#	1	
5		HEXAGON HEAD BOLT & PLAIN WASHER ASSY.	2		28	1136000306	CYLINDER HEAD ASSY.	1	
6	1136000410	WATER TEMPERATURE SENSOR	1		28	1016050272	CYLINDER HEAD ASSY.	1	DELPHI
6	1066001348	WATER TEMPERATURE SENSOR	1	DELPHI					
7	1136000408	PHASE SENSOR	1	HITACHI					
7	1016050258	PHASE SENSOR	1	DELPHI					
8		HEXAGON FLANGE BOLT(M6X12)	1						
9		DOUBLE END STUD(M8X33)	2						
10		HEXAGON FLANGE NUT( M8)	2						
11		WIRE HARNESS CLIP 1-2#	2						
12	1136000089	ELECTROMAGNETIC VALVE SUB-ASSY.	1						
13	1136000121	OIL ROAD SIEVE SUBASSY.	1						
14		WASHER	1						
15	1136000119	CYLINDER HEAD OIL PLUG	1						
16	1136000058	CYLINDER HEAD GASKET	1						
17		DOUBLE END STUD(M6X41)	2						
18		DOUBLE END STUD(M8X74)	1						
19	1136000306	CYLINDER HEAD COMPONENTS	1						
20		ENGINE HOOK	2						
21		HEXAGON FLANGE BOLT(M8X21)	5						
22		DOUBLE END STUD(M10X16)	1						
23	1136000035	CYLINDER HEAD BOLT WASHER	10						

## 5 CYLINDER HEAD COMPONENTS

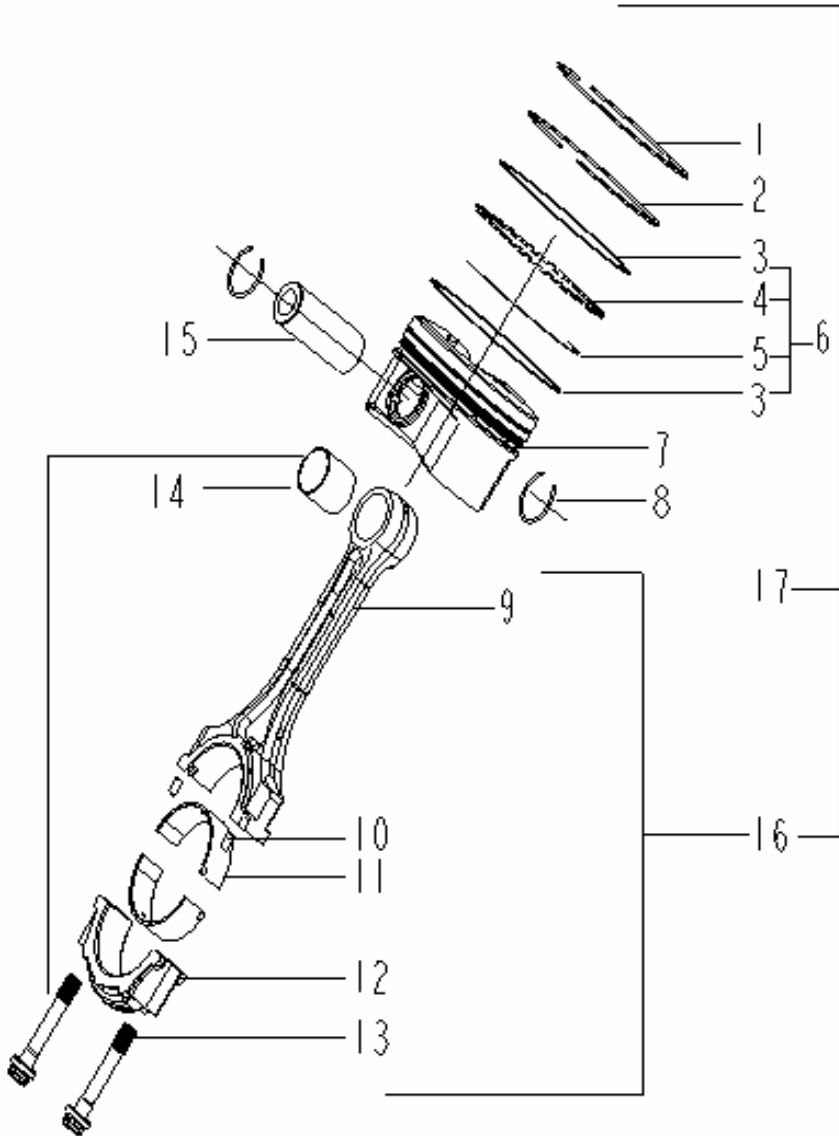
	NO.	PART NO.	DES	QTY	REMARK
	1		COMBINATION BOLT	16	
	2		CAMSHAFT BEARING CAP	8	
	3	1136000306	CYLINDER HEAD SUB-ASSY.	1	
	4	1136000042	HEATER WATER INLET PIPE	1	
	5	1136000041	ENGINE WATER OUTLET HOSE	1	
	6		THROTTLE WATER INLET WARM-UP PIPE	1	
	7		STEEL BALL	1	
	8	1136000057	INTAKE VALVE OIL SEAL	8	
	9		CAMSHAFT BEARING CAP ALIGNING PIN	2	
	10		CAMSHAFT FRONT BEARING CAP	1	
	11		COMBINATION BOLT 1#	3	
	12	1136000059	OUTLET VALVE OIL SEAL	8	
	13		PLUG	1	
	14		PLUG MAT	1	
	15	1136000306	CYLINDER HEAD COMPONENTS	1	

## 6 CYLINDER HEAD COVER COMPONENTS

	NO.	PART NO.	DES	QTY	REMARK
	1	1136000053	CYLINDER HEAD COVER	1	
	2		HEXAGON FLANGE BOLT(M6X25)	6	
	3	1136000056	OIL INJECTION CAP	1	
	4	1136000123	PCV VALVE	1	
	5		CLIP $\phi$ 13.5X1.6	1	
	6	1136000321	PVC HOSE I	1	
	6	1016050914	HOSE, POSITIVE CRANKCASE VENTILATION	1	DELPHI
	7		CLIP $\phi$ 18X1.6	1	
	8	1136000054	CYLINDER HEAD COVER GASKET	1	
	9		CLIP $\phi$ 21.5X1.6	2	
	10	1136000322	PVC HOSE II	1	
	11		CYLINDER HEAD COVER OIL BAFFLER SUB-ASSY.	1	
	12		PVC PIPE	1	
	13		OIL BAFFLER GASKET	1	
	14		COMBINATION WASHER	1	
	15		HEXAGON FLANGE BOLT(M6X12)	2	
	16		DOUBLE END STUD(M6X12)	1	
17	1136000404	CYLINDER HEAD COVER COMPONENTS	1		

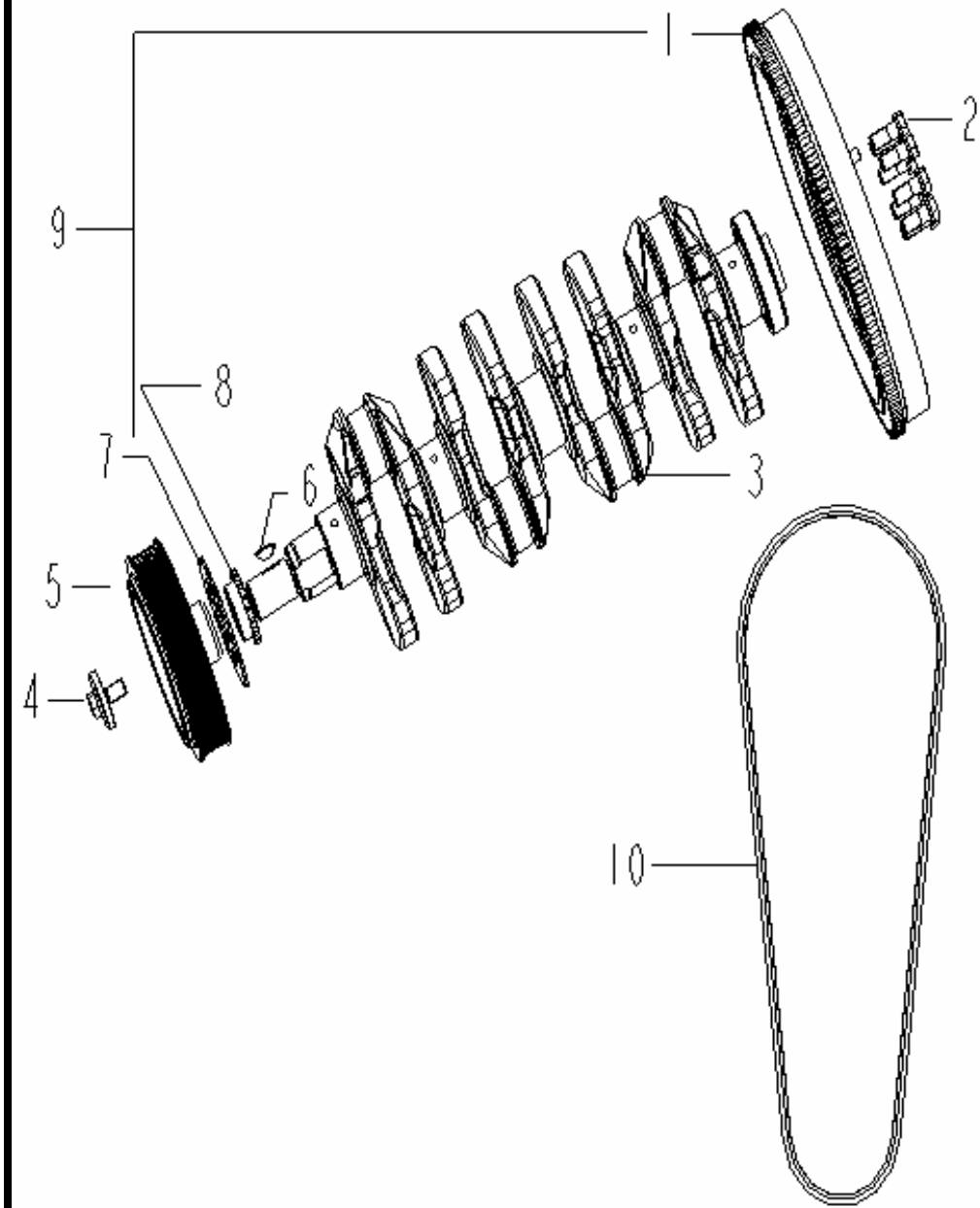
## 7 PISTON CONNECTING ROD COMPONENTS

NO.	PART NO.	DES	QTY	REMARK
1	1136000310	TOP COMPRESSION RING	4	
2	1136000311	SECOND COMPRESSION RING	4	
3		OIL RING SEGMENT	8	
4		OIL RING EXP&ER	4	
5		PIN	4	
6	1136000312	OIL RING COMPONENTS	4	
7	1136000308	PISTON	4	DELPHI
7	1136000427	PISTON	4	HITACHI
8		PISTON PIN CLIP	8	
9		CONNECTING ROD BODY	4	
10		CONNECTING ROD ALIGNING PIN	8	
11		CONNECTING ROD BEARING	4	
12		CONNECTING ROD CAP	4	
13		CONNECTING ROD BOLT	8	
14		CONNECTING ROD BUSHING	4	
15		PISTON PIN	4	
16	1136000309	CONNECTING ROD COMPONENTS	4	
17		PISTON CONNECTING ROD COMPONENTS	4	

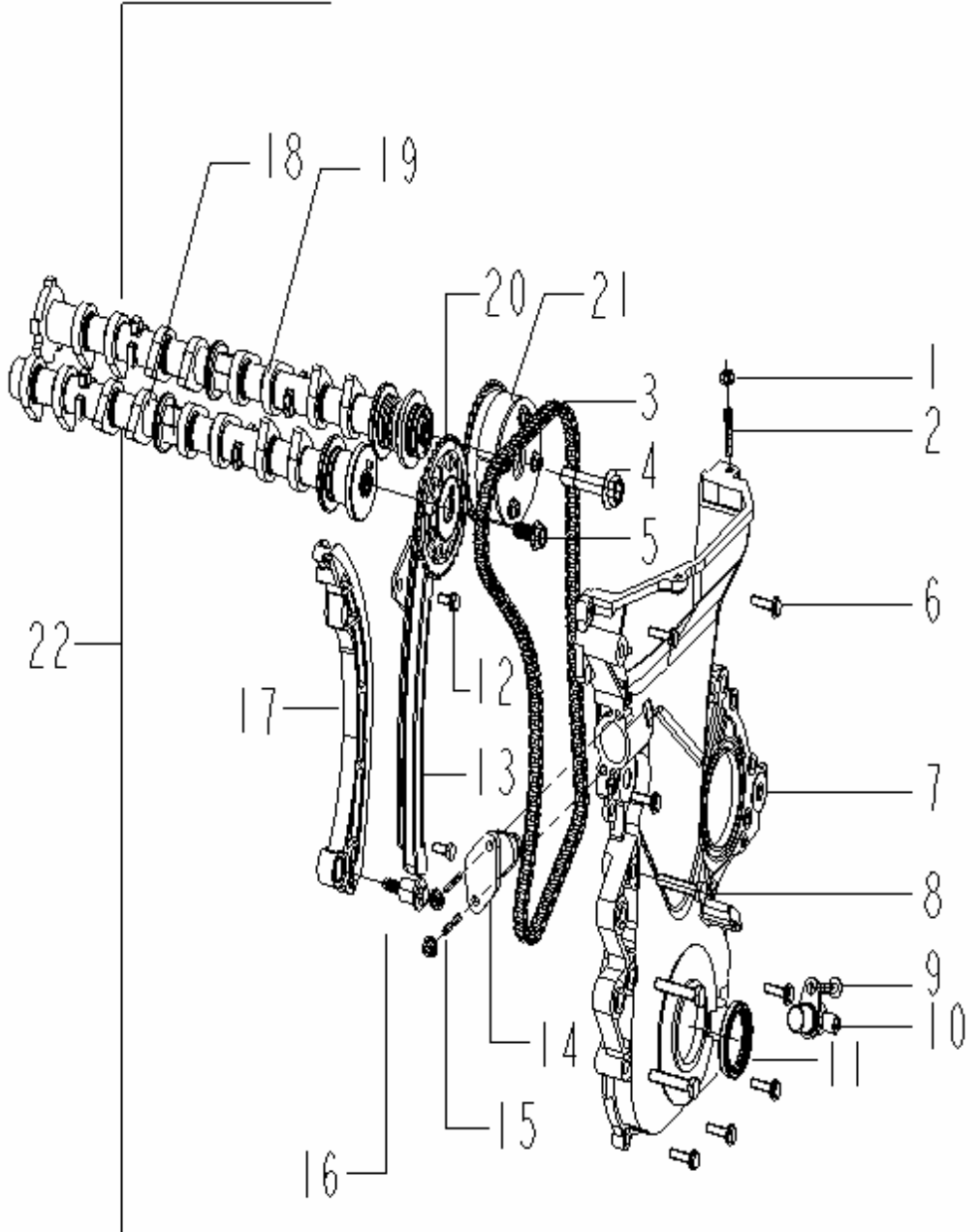


## 8 CRANKSHAFT FLYWHEEL COMPONENTS

NO.	PART NO.	DES	QTY	REMARK
1	1136000317	FLYWHEEL COMPONENTS	1	
2	1136000071	FLYWHEEL BOLT	8	
3	1136000313	CRANKSHAFT	1	
4	1136000075	DAMPER PULLEY BOLT COMPONENTS	1	
5	1136000072	DAMPER PULLEY COMPONENTS	1	
6	Q5500416	SEMICIRCULAR SPLINE (4X6.5X $\phi$ 16)	1	
7		ENGINE SPEED SENSOR SIGNAL DISC	1	
8	1136000076	CRANKSHAFT TIMING CHAIN PULLEY	1	
9		CRANKSHAFT FLYWHEEL ASSY.	1	
10	113600015701	DRIVE BELT(6PK1865)	1	

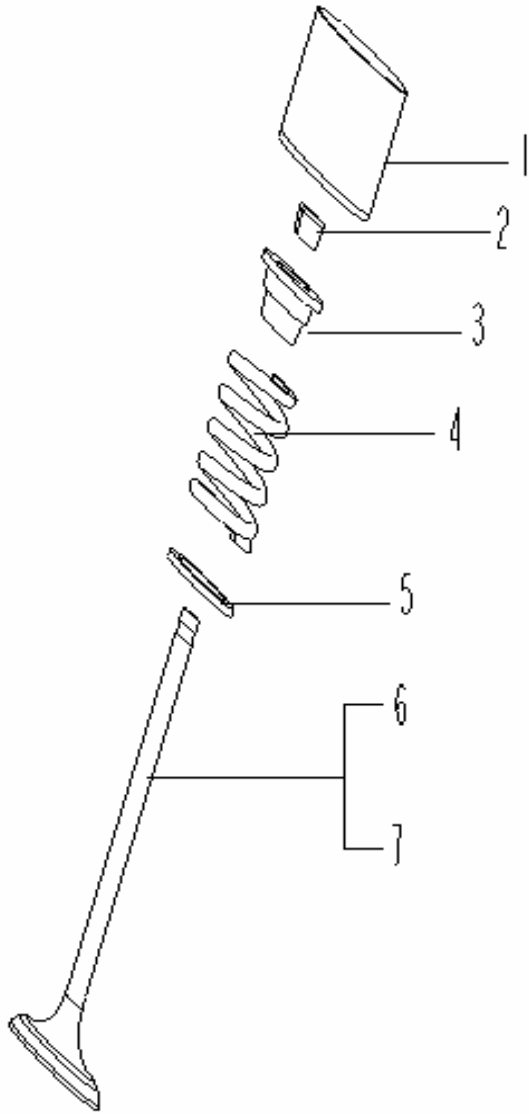


## 9 CAMSHAFT ASSY.

	NO.	PART NO.	DES	QTY	REMARK
	1		HEXAGON FLANGE NUT(M6)	3	
2		DOUBLE END STUD(M6X23)	1		
3	1136000081	TIMING CHAIN	1		
4		FLANGE BOLT	1		
5		CAMSHAFT SPROCKET BOLT	1		
6		HEXAGON FLANGE BOLT(M6X25)	7		
7	1136000084	TIMING CHAIN COVER	1		
8		HEXAGON FLANGE BOLT(M8X45)	3		
9		HEXAGON FLANGE BOLT(M6X12)	1		
10	1136000409	ENGINE SPEED SENSOR	1	HITACHI	
10	1086001168	ENGINE SPEED SENSOR	1	DELPHI	
11	1136000085	CRANKSHAFT FRONT OIL SEAL	2		
12		HEXAGON FLANGE BOLT & PLAIN WASHER COMPONENTS	1		
13	1136000083	CHAIN ORIENTED RAIL COMPONENTS	1		
14	1136000086	CHAIN TENSIONER COMPONENTS	2		
15		DOUBLE END STUD(M6X16)	1		
16		CHAIN TENSIONER RAIL PIN SHAFT	1		
17	1136000082	CHAIN TENSIONER RAIL COMPONENTS	1		
18	1136000315	EXHAUST CAMSHAFT	1		
19	1136000314	INTAKE CAMSHAFT	1	DELPHI	
19	1016050279	INTAKE CAMSHAFT	1		
20	1136000077	EXHAUST CAMSHAFT SPROCKET	1		
21	1136000090	VVT CONTROLLER	1		
22		CAMSHAFT ASSY.	1		



## 10 INTAKE & OUTLET VALVE

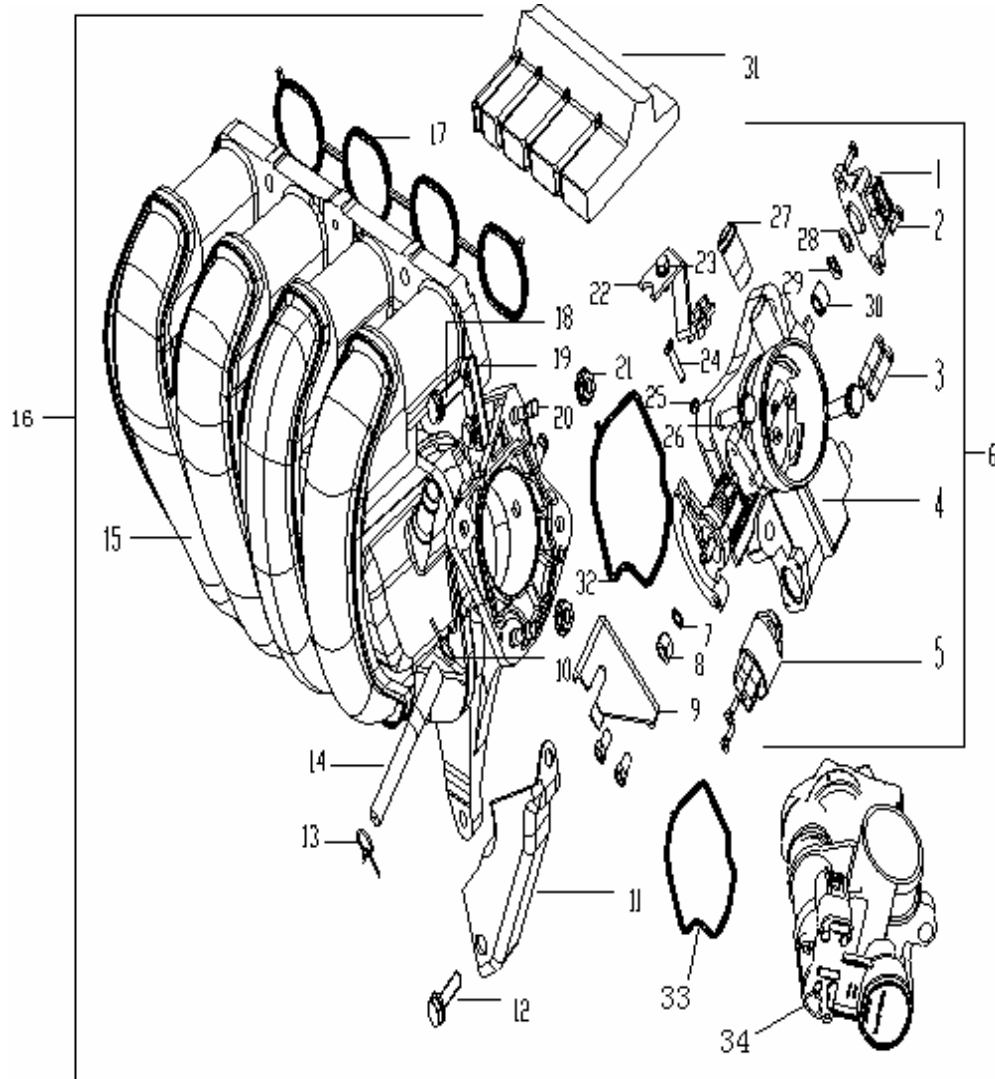


NO.	PART NO.	DES	QTY	REMARK
1	1136000097	VALVE LIFTER	16	
2	1136000095	VALVE KEEPER	32	
3	1136000094	VALVE SPRING RETAINER	16	
4	1136000093	VALVE SPRING	16	
5	1136000096	VALVE SPRING WASHER	16	
6	1136000091	INTAKE VALVE	8	
7	1136000092	OUTLET VALVE	8	

## 11 EXHAUST MANIFOLD ASSY.

	NO.	PART NO.	DES	QTY	REMARK
	1	1136000100	UPPER HEAT INSULATOR COVER COMPONENTS	1	
	2	1136000102	EXHAUST MANIFOLD GASKET COMPONENTS	1	
	3		HEXAGON HEAD BOLT & PLAIN WASHER COMPONENTS	3	
	4	1136000101	LOWER HEAT INSULATOR COVER COMPONENTS	1	
	5		WASHER	8	
	6		STEEL WIRE WASHER	16	
	7		BUSHING	6	
	8		EXHAUST MANIFOLD BRACKET	1	
	9		SQUARE NUT(M10)	1	
	10	1136000103	EXHAUST MANIFOLD BRACKET COMPONENTS	1	
	11	1136000098	EXHAUST PIPE OUTLET WASHER	1	
	12	1136000099	EXHAUST MANIFOLD COMPONENTS	1	
	13		BUSHING	2	
	14		HEXAGON HEAD BOLT & PLAIN WASHER COMPONENTS(M8X25)	8	
	15		EXHAUST MANIFOLD ASSY.	1	

## 12 INTAKE MANIFOLD ASSY.



NO.	PART NO.	DES	QTY	REMARK
1	1136000413	THROTTLE POSITION SENSOR	1	
2		CROSS RECESSED PAN HEAD SCREW(M4X12)	4	
3		STAINLESS STEEL TUBE 2	2	
4	1136000405	THROTTLE BODY COMPONENT	1	HITACHI
5	1136000412	STEPPER	1	
6	1136000405	THROTTLE COMPONENTS	1	
7		WASHER( $\phi$ 8)	1	
8		NUT(M8)	1	
9		ACCELERATION CABLE BRACKET	1	
10		STEEL STRIP BOUNCY CLIP	1	
11	1136000104	THROTTLE VALVE SUPPORT PLATE	1	
12		HEXAGON HEAD BOLT & PLAIN WASHER COMPONENTS	1	
13		METAL STRIP BOUNCY CLIP	1	
14	1136000105	VACUUM PRESSURE HOSE	1	
15	1136000316	INTAKE MANIFOLD COMPONENTS	1	
15	1016050276	INTAKE MANIFOLD COMPONENTS	1	DELPHI
16		INTAKE MANIFOLD ASSY.	1	
17		INTAKE MANIFOLD GASKET	1	
18		HEXAGON HEAD BOLT & PLAIN WASHER COMPONENTS	3	
19	1136000107	REINFORCEMENT PLATE	1	
20		DOUBLE END STUD(M8X39)	2	
21		HEXAGON FLANGE NUT	2	
22	1136000406	INTAKE PRESSURE & TEMPERATURE SENSOR	1	
23		HEXAGON HEAD BOLT & PLAIN WASHER COMPONENTS	6	
24		ADJUST NUT	1	

## 12 INTAKE MANIFOLD ASSY.

	NO.	PART NO.	DES	QTY	REMARK
	25	Q1400616	NUT(M5)	1	
	26		HEXAGON HEAD BOLT & PLAIN WASHER COMPONENTS	2	
	27		STAINLESS STEEL TUBE 1	1	
	28		WASHER	1	
	29		WASHER $\phi$ 7	1	
	30		NEEDLE BEARING	2	
	31		DAMPING WASHER	1	
	32		THROTTLE VALVE SEAL	1	
	33		ELECTRON THROTTLE VALVE SEAL	1	
	34	1016050250	COMPONENTS, ELECTRON THROTTLE	1	DELPHI
		1136000324	THROTTLE PREHEAT WATER PIPE I	1	
		1136000325	THROTTLE PREHEAT WATER PIPE II	1	
		1016050260	AIR INTAKE PRESSURE TEMPERATURE SENSOR	1	DELPHI

### 13 OIL PAN ASSY.

	NO.	PART NO.	DES	QTY	REMARK
	1		OIL PAN ASSY.	1	
	2	1136000112	OIL PAN COMPONENTS	1	
	3		HEXAGON BOLT & PLAIN WASHER COMPONENTS(M6X12)	14	
	4	1136000111	OIL DRAIN PLUG WASHER	1	
	5	1136000110	OIL DRAIN PLUG	1	

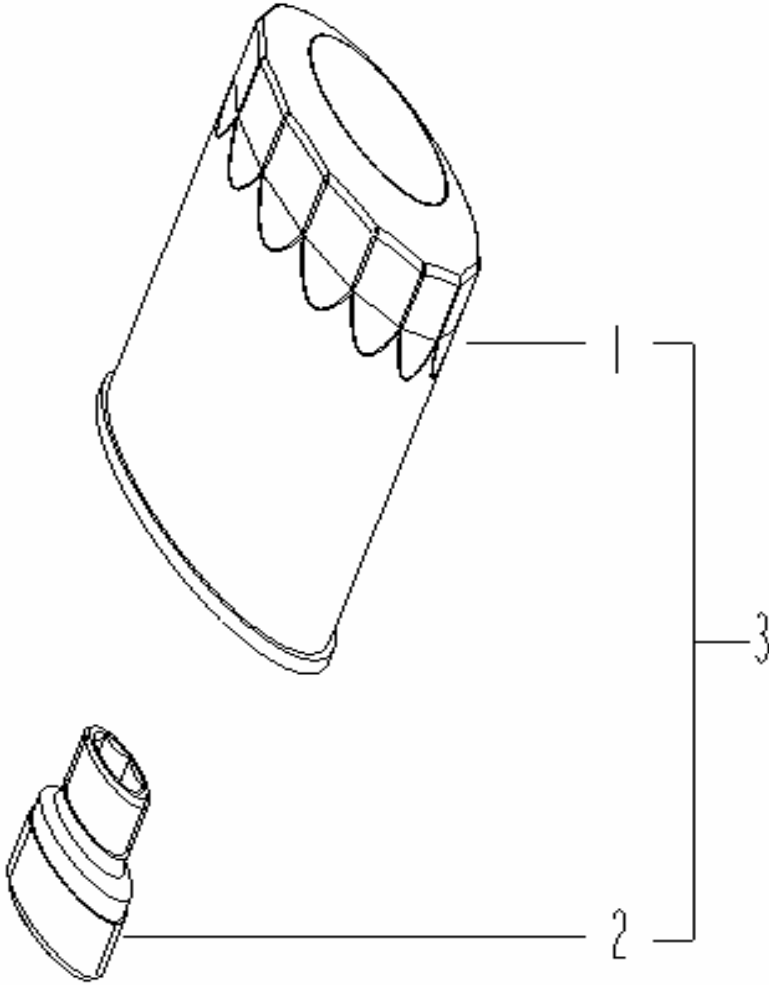
## 14 OIL STRAINER ASSY.

	NO.	PART NO.	DES	QTY	REMARK
	1		HEXAGON FLANGE BOLT(M6X10)	1	
	2	1136000113	OIL STRAINER ASSY.	1	
	3	1136000114	OIL STRAINER GASKET	1	

## 15 OIL PUMP ASSY.

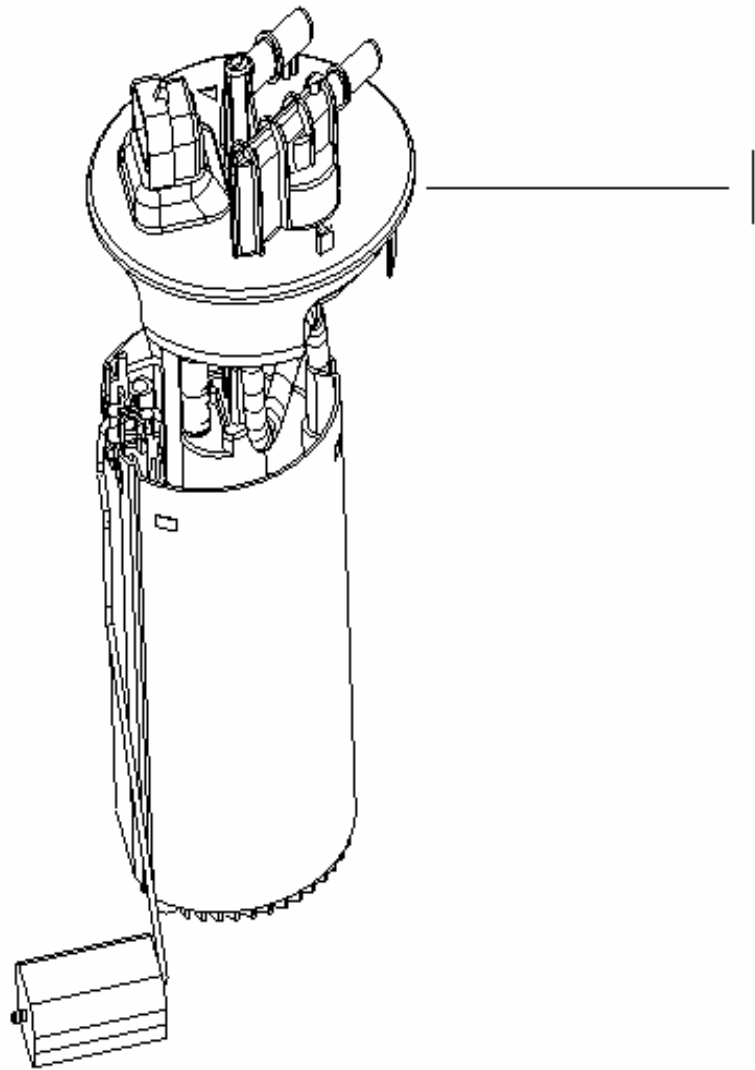
	NO.	PART NO.	DES	QTY	REMARK
	1		HEXAGON FLANGE BOLT(M6X35)	5	
	2		OIL PUMP BODY	1	
	3		OIL PUMP PRESSURE RELIEF VALVE PLUGGER	1	
	4		OIL PUMP PRESSURE RELIEF VALVE SPRING	1	
	5		OIL PUMP PRESSURE RELIEF VALVE NUT	1	
	6		OUTER ROTOR	1	
	7		INNER ROTOR	1	
	8		OIL PUMP BODY COVER	1	
	9		CROSS DEEP HEAD SCREW(M6X16)	3	
	10	1136000116	OIL PUMP WASHER	1	
	11	1136000115	OIL PUMP COMPONENTS	1	
	12	1136000173	OIL PUMP ASSY. OIL TEMPERATURE SENSOR	1	

## 16 OIL FILTER ASSY.

	NO.	PART NO.	DES	QTY	REMARK
	1	1136000118	OIL FILTER COMPONENTS	1	
	2	1136000117	OIL FILTER CONNECTING	1	
	3		OIL FILTER ASSY.	1	



# 17 FUEL PUMP ASSY.



NO.	PART NO.	DES	QTY	REMARK
1	1136000126	FUEL PUMP ASSY.	1	

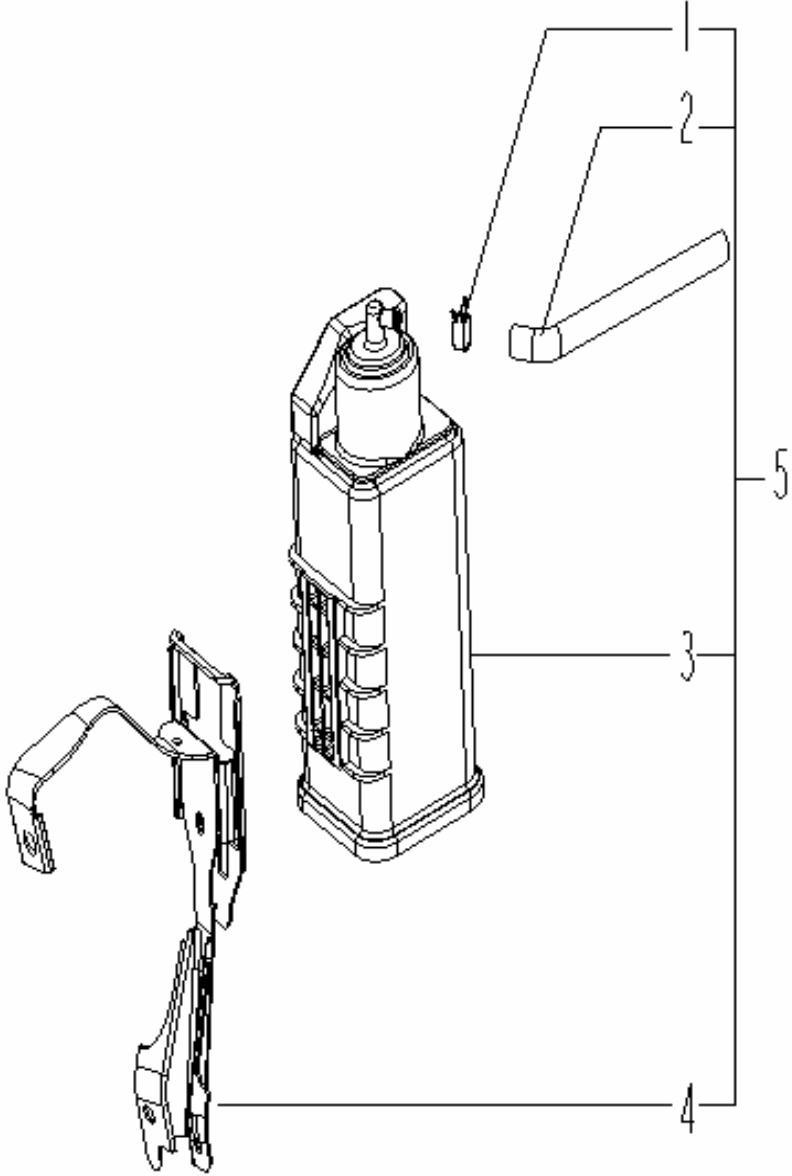
## 18 FUEL INJECTOR ASSY.

	NO.	PART NO.	DES	QTY	REMARK
	1	1136000129	FUEL HOSE	1	
	2		CLIP	2	
	3	1136000420	FUEL RAIL COMPONENTS	1	
	4		FUEL INJECTOR SEAL I	4	
	5	1136000419	FUEL INJECTOR	4	
	6		FUEL INJECTOR SEAL II	4	
	7	1136000128	FUEL RAIL ALIGNING PIN	2	
	8		HEXAGON FLANGE BOLT(M6X50)	2	
	9	1136000423	FUEL RAIL & INJECTOR ASSY.	1	
	9	1016050253	FUEL RAIL & INJECTOR ASSY.	1	DELPHI

## 19 CANISTER CANISTER ASSY.

NO.	PART NO.	DES	QTY	REMARK
1		STEEL STRIP BOUNCY CLIP	2	
2		CONNECTING HOSE	1	
3		CANISTER CONTROL COMPONENTS	1	
4	1136000133	CANISTER CONTROL FIXING BRACKET	1	
5	1136000132	CHARCOAL CANISTER ASSY.	1	

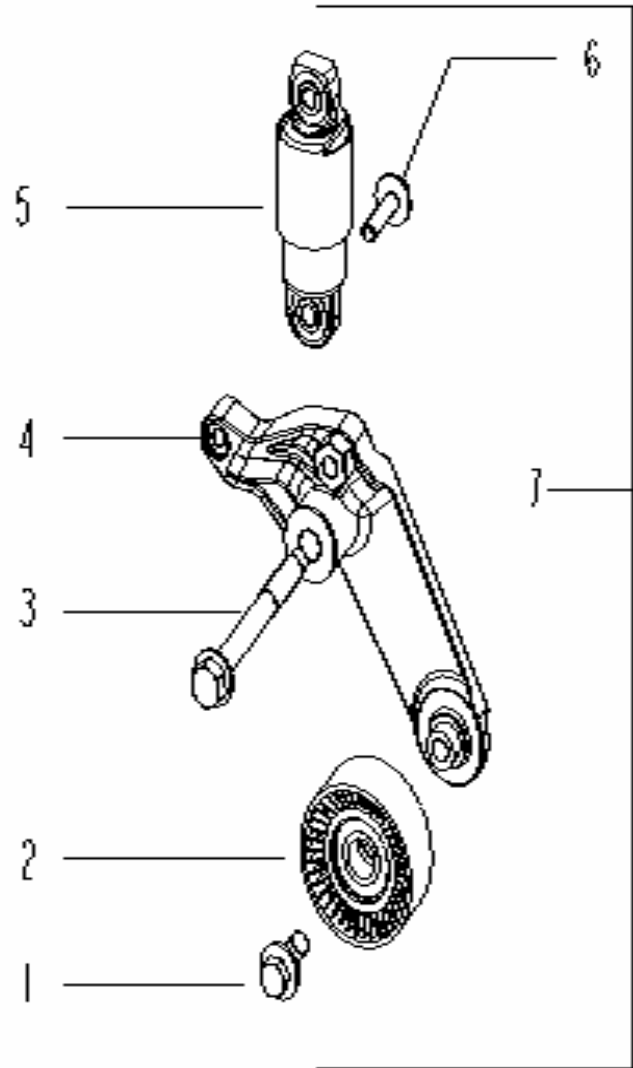
  



## 20 HEATER INLET & OUTLET PIPE COMPONENTS

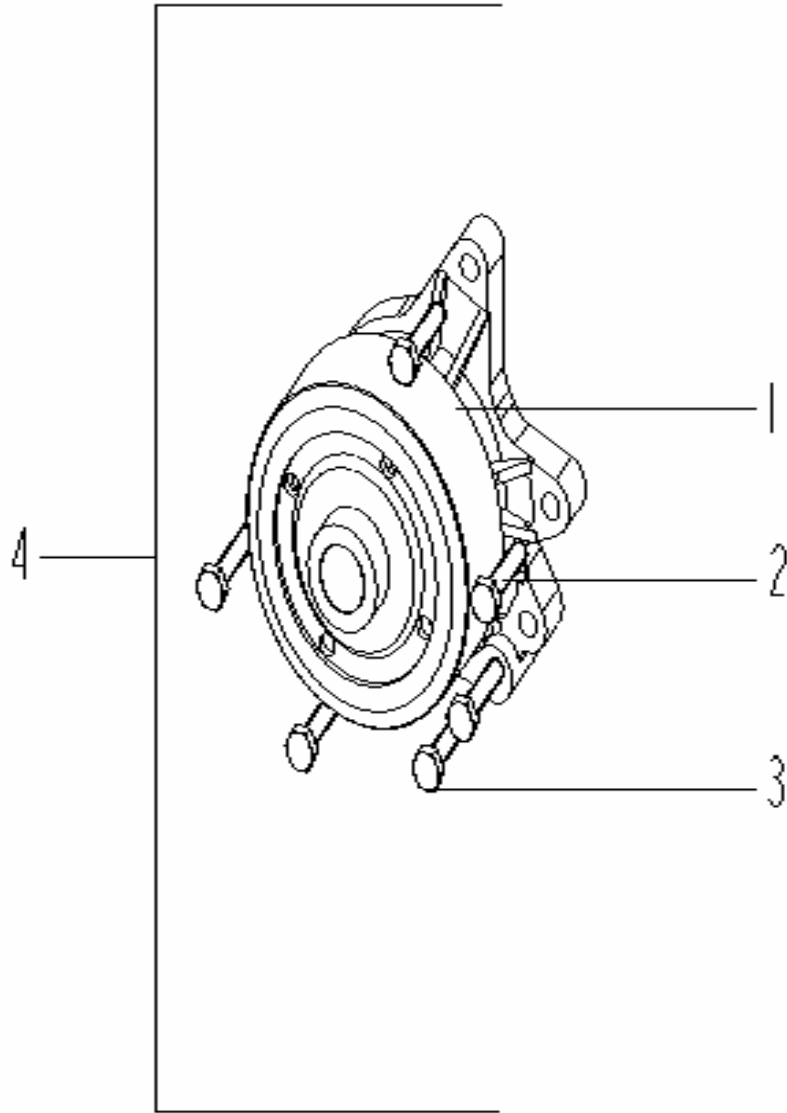
	NO.	PART NO.	DES	QTY	REMARK
	1		STEEL STRIP BOUNCY CLIP	4	
	2	1136000138	HEATER INLET HOSE	1	
	3		HOSE I	1	
	4		STEEL STRIP DOUBLE RING BOUNCY CLIP	4	
	5		STEEL STRIP DOUBLE RING BOUNCY CLIP	1	
	6	1136000147	HOSE II	1	
	7	1136000148	HOSE III	1	
	8		HEXAGON FLANGE BOLT (M6X14)	1	
	9	1136000137	HEATER OUTLET HOSE WASHER	2	
	10	1136000136	HEATER OUTLET HOSE COMPONENTS	1	
	10	1016050921	HEATER OUTLET HOSE COMPONENTS	1	DELPHI
11	1136000144	HEATER OUTLET HOSE	1		

## 21 DRIVE BELT TENSIONER ASSY.



NO.	PART NO.	DES	QTY	REMARK
1		TENSION PULLEY BOLT	1	
2		TENSION PULLEY COMPONENTS	1	
3		TENSIONER BOLT (M12X106)	1	
4		TENSIONER BRACKET COMPONENTS	1	
5		TENSIONER COMPONENTS	1	
6		TENSIONER COMPONENTS BOLT (M8X30)	1	
7	1136000149	DRIVE BELT TENSIONER ASSY.	1	

## 22 WATER PUMP ASSY.



NO.	PART NO.	DES	QTY	REMARK
1		WATER PUMP COMPONENTS	1	
2		HEXAGON FLANGE BOLT(M6X35)	4	
3		HEXAGON FLANGE BOLT(M6X28)	2	
4	1136000158	WATER PUMP ASSY.	1	
	1136000208	WATER PUMP SEAL RING	1	

## 23 CLUTCH ASSY.

	NO.	PART NO.	DES	QTY	REMARK
	1	1136000161	CLUTCH DRIVEN PLATE ASSY.	1	
	2	1136000160	CLUTCH PRESSURE PLATE ASSY.	1	
	3	1136000159	CLUTCH BOLT(M8X15)	6	
	4		CLUTCH ASSY.	1	

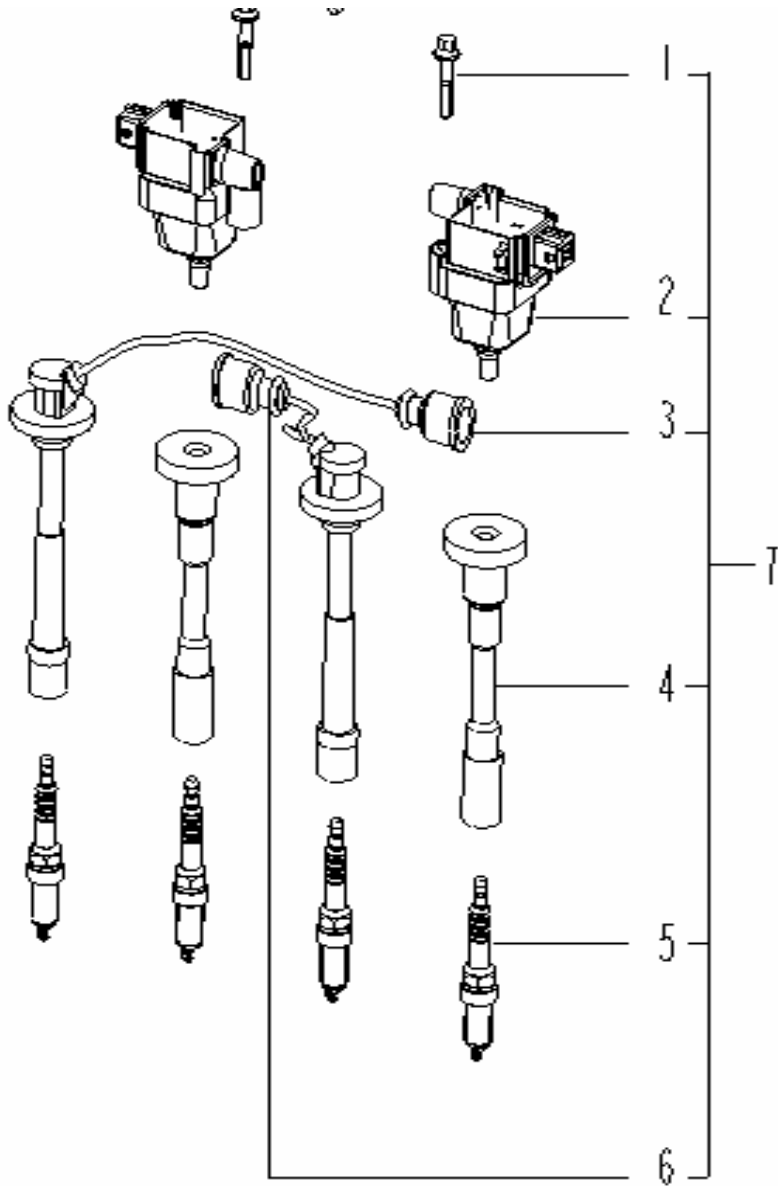
## 24 ALTERNATOR COMPONENTS

	NO.	PART NO.	DES	QTY	REMARK
	1		HEXAGON FLANGE BOLT(M8X30)	1	
	2	1136000174	ALTERNATOR	1	
	3		HEXAGON FLANGE BOLT(M10X1.25X72)	1	
	4		ALTERNATOR COMPONENTS	1	

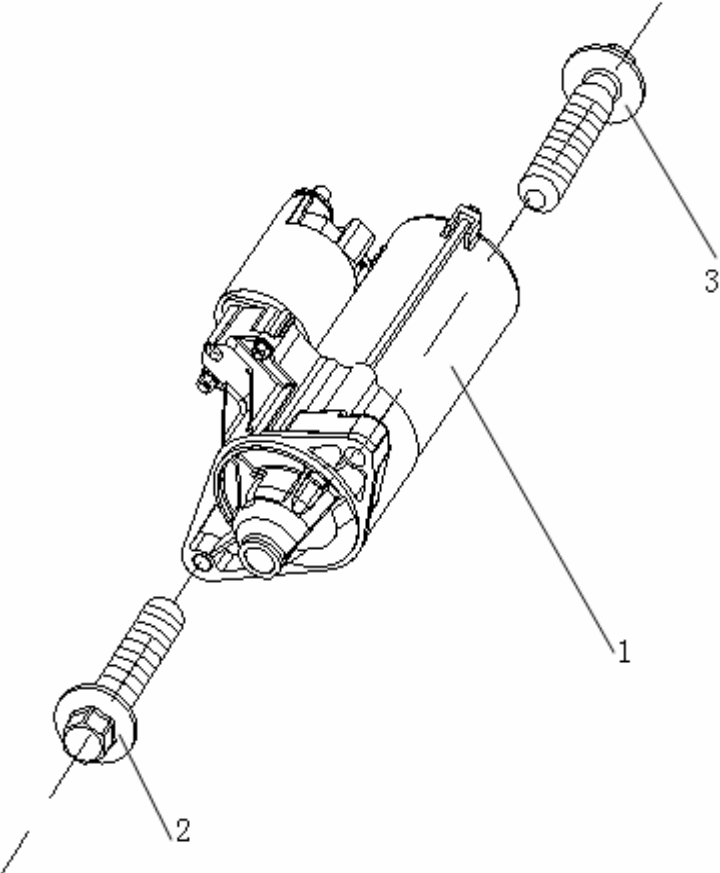


## 25 IGNITION COIL ASSY.

NO.	PART NO.	DES	QTY	REMARK
1		HEXAGON FLANGE BOLT(M6X25)	2	
2	1136000417	IGNITION COIL	2	
2	1016050265	IGNITION COIL	2	DELPHI
3	1136000176-01	ANTI-INTERFERENCE IGNITION WIRE II	1	
	1016050266	ANTI-INTERFERENCE IGNITION WIRE I	1	DELPHI
	1016050267	ANTI-INTERFERENCE IGNITION WIRE II	1	DELPHI
	1016050268	ANTI-INTERFERENCE IGNITION WIRE III	1	DELPHI
	1016050269	ANTI-INTERFERENCE IGNITION WIRE IV	1	DELPHI
5	1136000179	SPARK PLUG(K6RTC)		
7	1136000422	IGNITION COIL MOUNTING BRACKET		



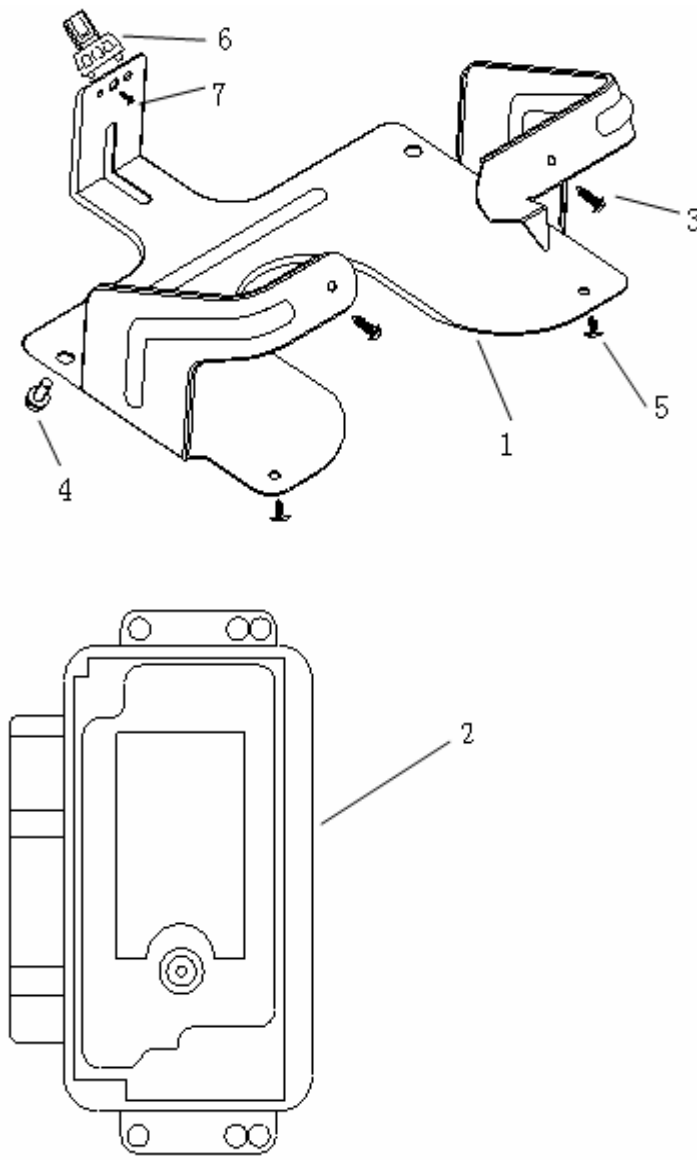
## 26 STARTER ASSY.

	NO.	PART NO.	DES.	QTY	REMARK
	1	1136000180	STARTER	1	
	2		HEXAGON HEAD BOLT & SPRING WASHER ASSY.	1	M10x1.25x60
	3		HEXAGON HEAD BOLT & SPRING WASHER ASSY.	1	M10x1.25x80

## 27 ENGINE WIRING HARNESS

	NO.	PART NO.	DES.	QTY	REMARK
	1	1136000421	ENGINE WIRING HARNESS	1	4G15
	1	1067002402	ENGINE WIRING HARNESS	1	DELPHI
	2	1136000135	OXYGEN SENSOR WIRING HARNESS(EUR III)	1	
	3	1136000415	FRONT OXYGEN SENSOR	1	4G15
	3	1086000727	FRONT OXYGEN SENSOR	1	DELPHI
	4	1066001099	REAR OXYGEN SENSOR	1	DELPHI
	4	1136000416	REAR OXYGEN SENSOR	1	4G15

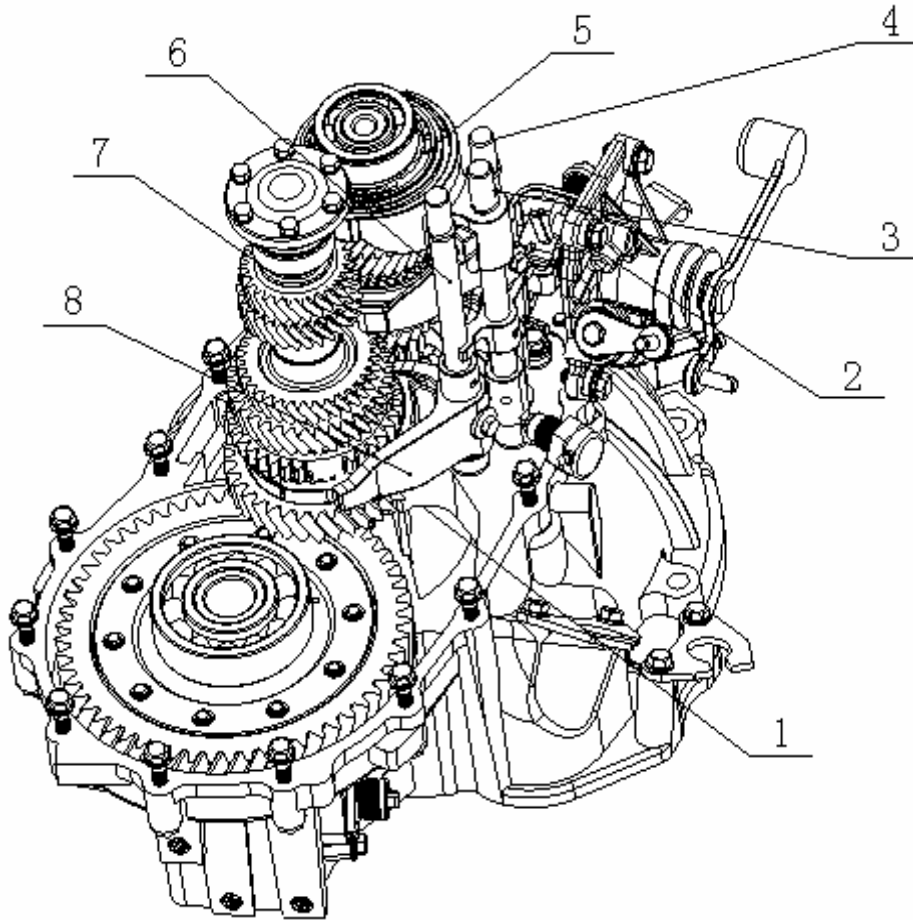
## 28 ECU

	NO.	PART NO.	DES.	QTY	REMARK
	1	1016070511	ECU BRACKET ASSY.	1	4G15
	2	1136000418	ECU ASSY.(JL4G15)OBD	1	EURO III
	2	113600041801	ECU ASSY.(JL4G15)OBD	1	EURO IV
	2	1066001101	ECU ASSY.(JL4G15)EIV		DELPHI
	3		HEXAGON FLANGE BOLT	2	ST4.8X13
	4		HEXAGON HEAD BOLT AND WASHER ASSY.	4	M6x18
	5		FRONT WALL HEAT INSULATION MAT SNAP FASTENRT	2	
6	1067000013	ECU BRACKET CLIP	1		
7		CROSS HEAD BOLT ST4.2x16	1		

# S170 TRANSMISSION ASSY.

	NO.	PART NO.	DES	QTY	REMARK
	1	3170102101	END CAP	1	
	2	3170122201	PRESS COVER	1	
	3	3170122401	OUTPUT SHAFT SPRING	1	
	4	3170100006	END CAP BOLT	4	
	5	3170121601	O RING-ODOMETER	2	
	6	3230330901	DRIVING GEAR-ODOMETER	1	
	7	3170121005	DRIVEN GEAR-ODOMETER	1	
	8	3170120102	CASE-ODOMETER DRIVEN GEAR	1	
	9	3170121501	SPRING	1	
	10		ODOMETER BOLT	1	
	11	3170121301	ODOMETER LOCK WASHER	1	
	12	3380209001	ODOMETER OIL SEAL	1	
	13	3170102003	SHIFT CABLE BRACKET	1	
	14	3170102005	SHIFT CABLE BRACKET	1	
	15	3170122301	SHIFT CABLE BRACKET BOLT	4	
	16	3150010001	SHIFT COVER TIGHTENING BOLT	2	
	17	3160131004	CLUTCH SLAVE PUMP	1	
	18	3160121102	RELEASE FORK	1	
	19	3160122001	CLUTCH BEARING	1	
	20	3160132001	SUPPORTING POST	1	
	21	3160121201	SPRING	1	
	22	3160133005	BOOT	1	
	23	3170216001	SHIFT POSITION ASSY.	1	
	24	3170102301	ATTACHING BOLT	14	
		3170101506-01	TRANSMISSION HOUSING	1	

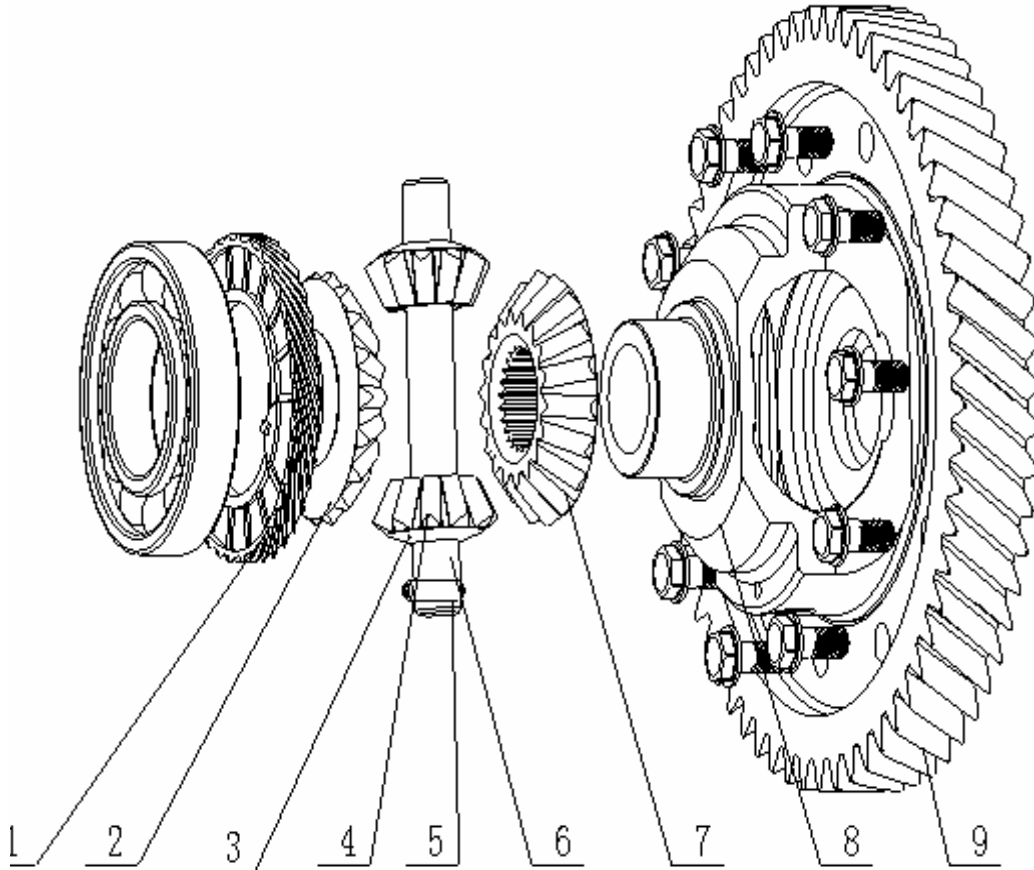
# S170 TRANSAXLE ASSY.



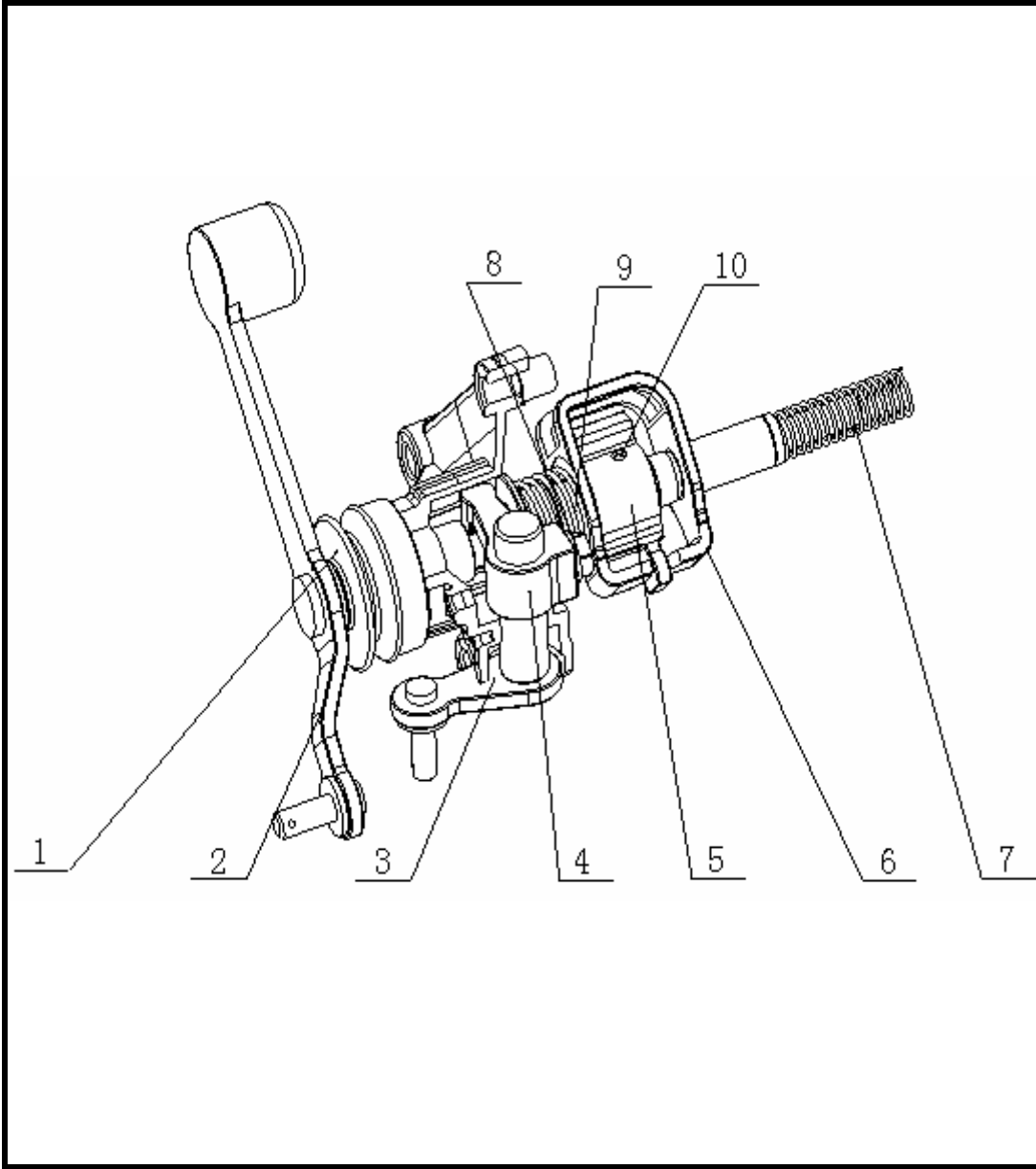
NO.	PART NO.	DES	QTY	REMARK
1	3170103001	S SHAPE OIL SEAL	1	
2	3170200005	VENT PLUG ASSY.	1	
3	3170206101	REVERSE SHIFT FORK SHAFT	1	5TH
4	3170206001	SHIFT FORK-3RD AND 4TH GEAR	1	
5	343-6316002	BEARING-INPUT SHAFT	1	
6	3170205901	FORK SHAFT-1ST AND 2ND GEAR	1	
7	3204715101	BEARING-OUTPUT SHAFT	1	
8	3170202401	GEAR SHIFT FORK SHAFT	1	1ST,2ND

# S170 DIFFERENTIAL ASSY.

NO.	PART NO.	DES	QTY	REMARK
1	3230330901	GEAR-ODOMETER DRIVING	1	
2	3230330701	SIDE GEAR GASKET	2	
3	3230330601	PLANETARY GEAR GASKET	2	
4	3230330301	PLANETARY GEAR	2	
5	3230331001	ELASTIC CYLINDER PIN	1	
6	3230330401	PLANETARY GEAR SHAFT	1	
7	3230330201	SIDE GEAR	2	
8	3230330101	DIFFERENTIAL CASE	1	
9	3230220804	DIFFERENTIAL RING GEAR	1	
	3408018101	DIFFERENTIAL FRONT BEARING	1	



# S170 COVER-GEARSHIFT ASSY.

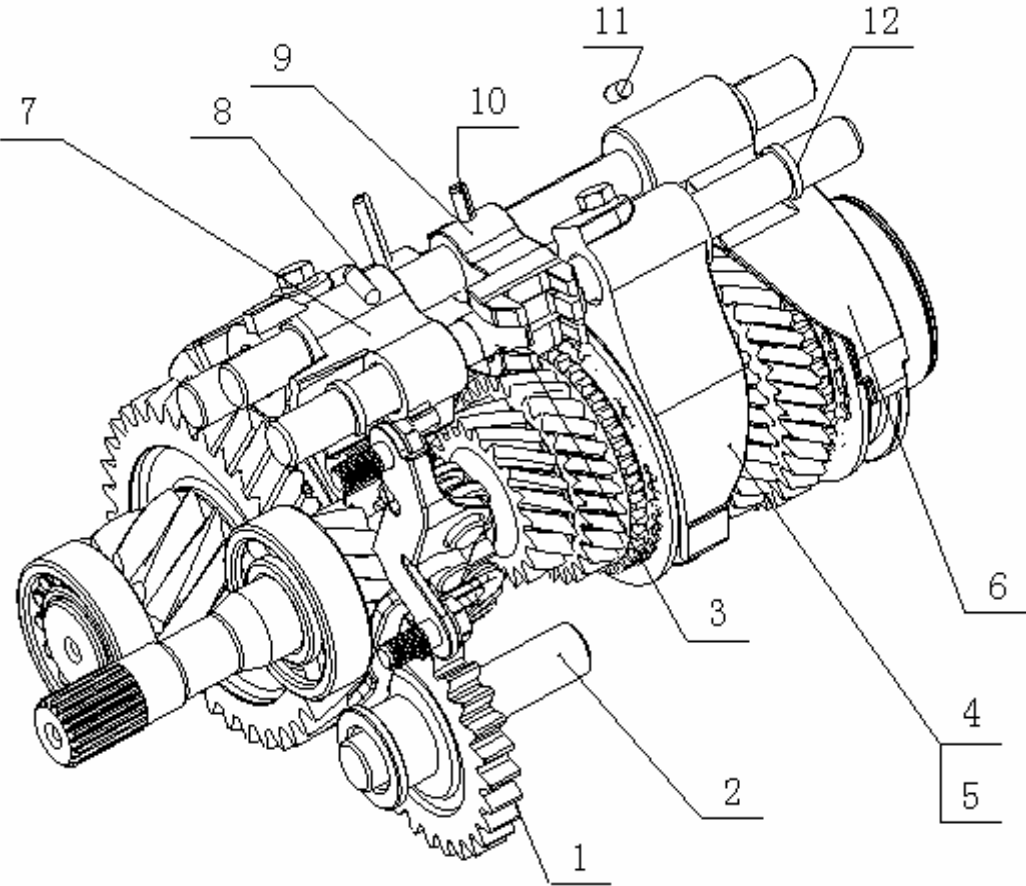


NO.	PART NO.	DES	QTY	REMARK
1	3170212501	GEARSHIFT GUIDE SHAFT BOOT	1	
2	3170210104	GUIDE SHAFT-GEARSHIFT	1	
3	3170211105	ROCKER	1	
4	3170211001	GEAR SHIFTER	1	
5	3170214201	GEAR SHIFTER	1	
6	3170214601	BRACKET -SHIFT LEVER	1	
7	3170213001	RETURN SPRING B	1	
8	3170211501	NUT	1	
9	3170212601	RETURN SPRING A	1	
10	3170203601	CYLINDER PIN	1	



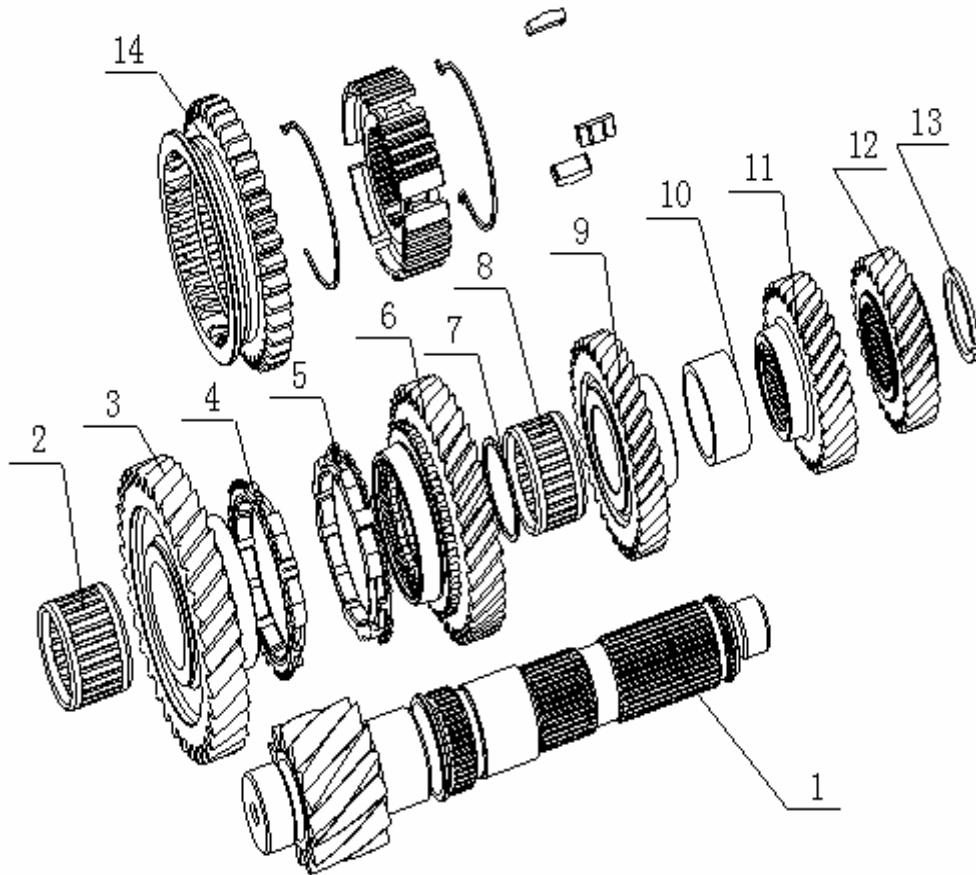
# S170 GEARSHIFT SYSTEM ASSY.

NO.	PART NO.	DES	QTY	REMARK
1	3170108201	REVERSE COUNTER GEAR	1	
2	3170109201	REVERSE COUNTER GEAR SHAFT	1	
3	3170205401	GUIDE BLOCK-5TH AND REVERSE GEAR	1	
4	3170202701	GEARSHIFT FORK SHAFT	1	3TH,4TH
5	3150010002	GEARSHIFT FORK BOLT	2	
6	3170202901	FIFTH GEAR SHIFT FORK	1	
7	3170205601	GUIDE BLOCK - REVERSE GEAR	1	
8	3170209201	PIN	1	
9	3170205201	GUIDE BLOCK	1	1ST,2ND
10	3170206301	ELASTIC CYLINDER PIN	2	
11	3170209401	PIN	1	
12	3170207701	FORK SHAFT SNAP RING	5	



## S170 OUTPUT SHAFT ASSY.

NO.	PART NO.	DES	QTY	REMARK
1	3170110605	OUTPUT SHAFT	1	
2	3343928101	NEEDLY ROLLER BEARING	1	1ST
3	3170111101	GEAR-1ST SPEED,OUTPUT	1	
4	3170112801	SYNCHRONIZER GEAR RING	1	1ST
5	3170112901	SYNCHRONIZER GEAR RING	1	2ND
6	3170113101	GEAR-2ND SPEED,OUTPUT	1	
7	3170104301	NEEDLY ROLLER SECLUSION RING	1	
8	3343923101	NEEDLY ROLLER BEARING	1	2ND
9	3170113601	GEAR-3RD SPEED,OUTPUT	1	
10	3170113701	COVER ORIENTATION	1	
11	3170113801	GEAR-4TH SPEED,OUTPUT	1	
12	3170114001	GEAR-5TH SPEED,OUTPUT	1	
13	3170110101	OUTPUT 5TH GEAR RING	1	
14	3170112004	SYNCHRONIZER ASSY.	1	1ST,2ND



## S170 SHAFT-INPUT ASSY.

NO.	PART NO.	DES	QTY	REMARK
1	3170104101-01	INPUT SHAFT	1	
2	3170105201	GEAR-3RD SPEED,INPUT	1	
3	3170106601	RING-3RD SPEED SYNCHRONIZING	1	
4	3170106701	RING-4TH SPEED SYNCHRONIZING	1	
5	3170104201	1ST,2ND,3RD,4TH SPEED SPRING	2	
6	3170105401	GEAR-4TH SPEED,INPUT	1	
7	3343921101	NEEDLY ROLL BEARING	1	3RD,4TH
8	3170104401	INPUT FOURTH GEAR THURST WASHER	1	
9	3170104501	BALL-ORIENTATION	1	4TH
10	3170105801	GEAR-5TH SPEED,INPUT	1	
11	3170104601	THRUST WASHER RETAINER	1	4TH
12	3313620101	NEEDLY ROLLER BEARING	1	5TH
13	3170107601	RING-5TH SPEED SYNCHRONIZING	1	
14	3170106004	SYNCHRONIZER ASSY.	1	3RD,4TH
15	3170107004	SYNCHRONIZER ASSY.	1	5TH

